

Інструмент не  
призначений для  
професійного  
використання.

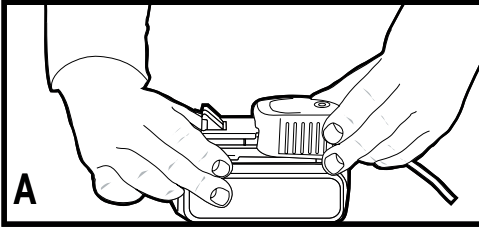
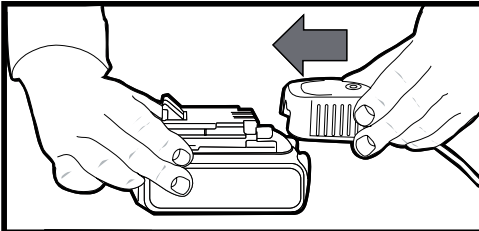
xxx

Переклад оригінальних інструкцій

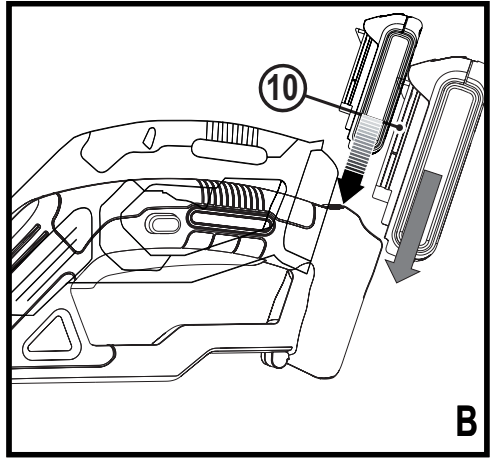
[www.blackanddecker.eu](http://www.blackanddecker.eu)

ST182320

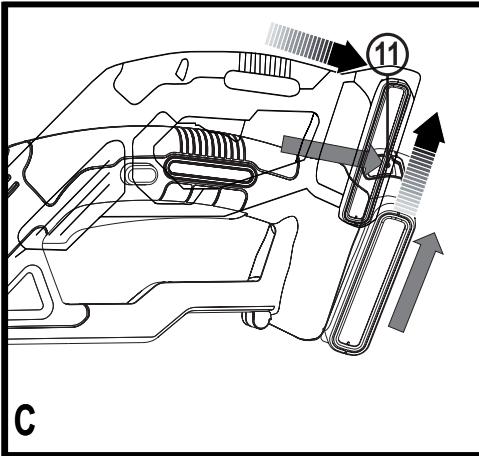
<b>English (original instructions)</b>	<b>7</b>
<b>Українська (переклад оригінальних інструкцій)</b>	<b>18</b>



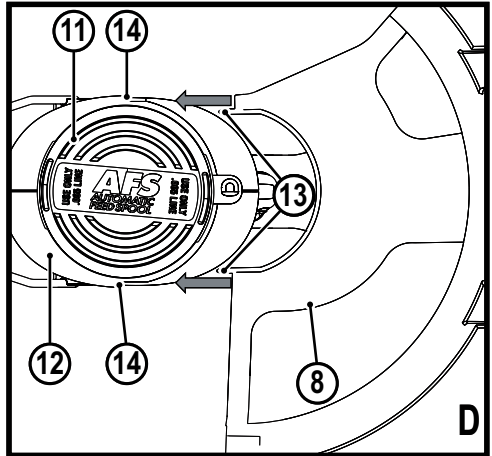
**A**



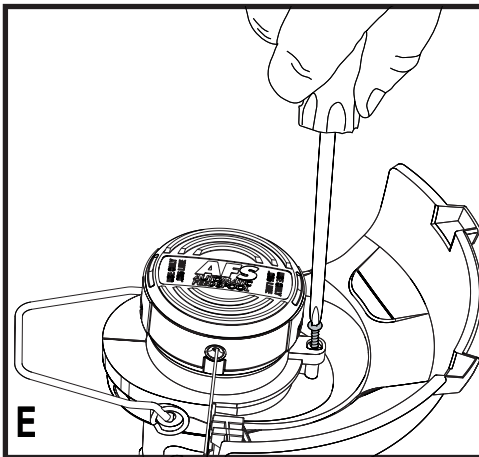
**B**



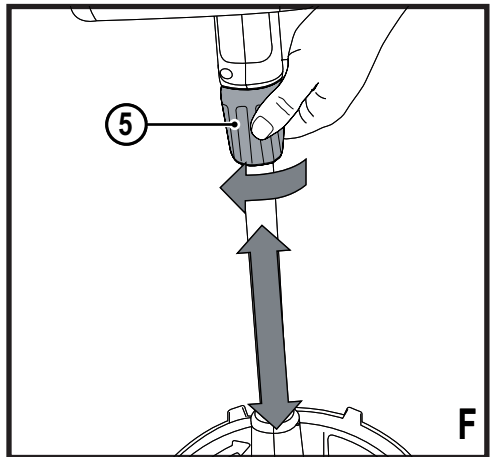
**C**



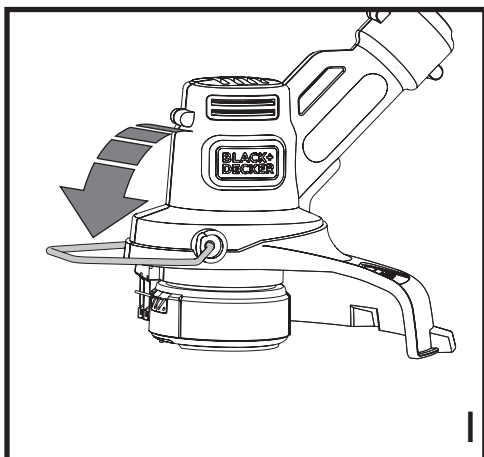
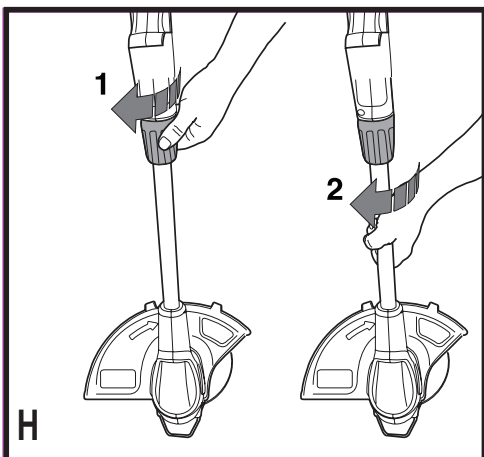
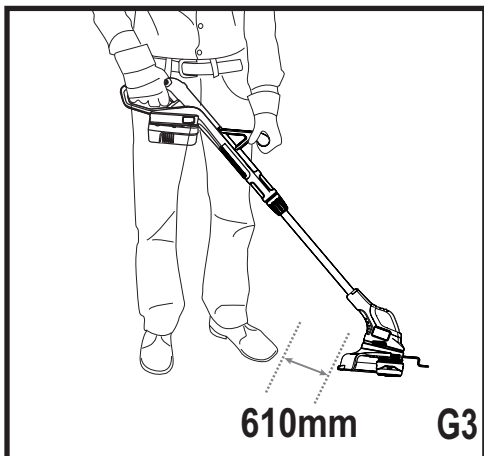
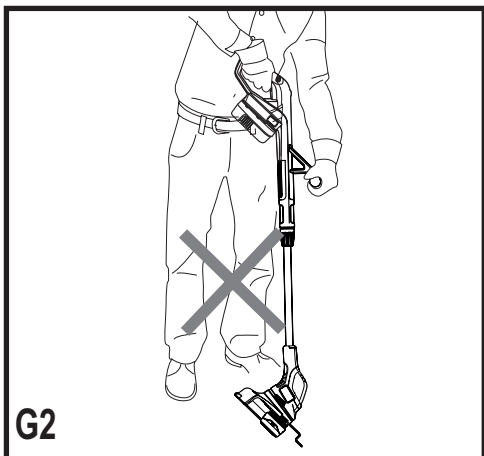
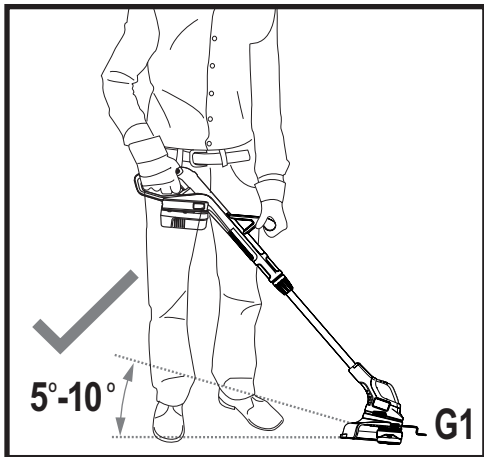
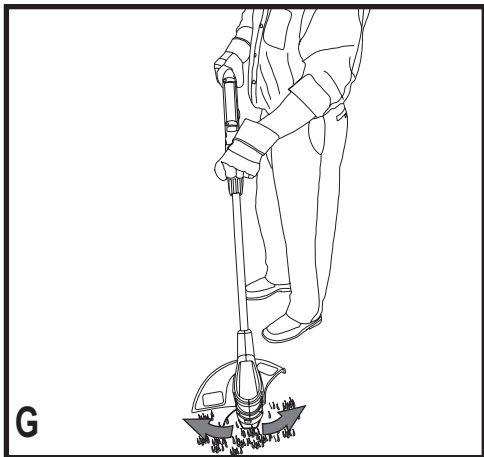
**D**

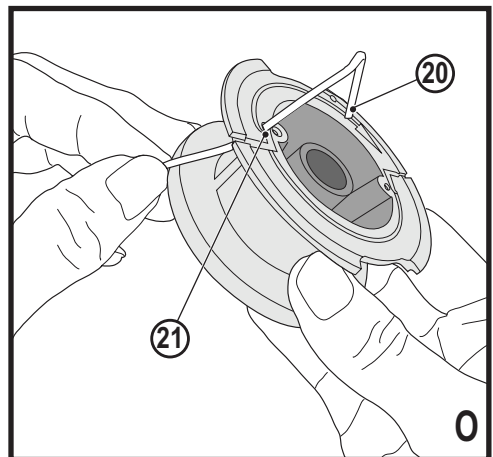
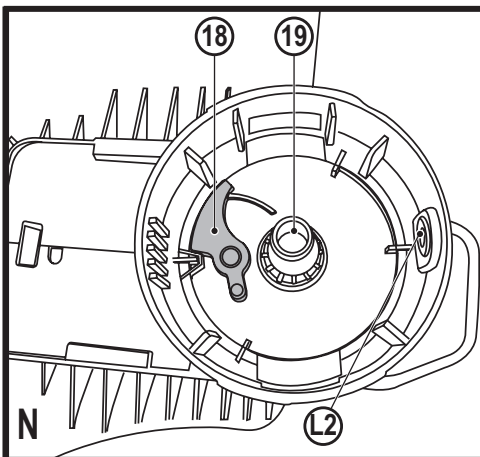
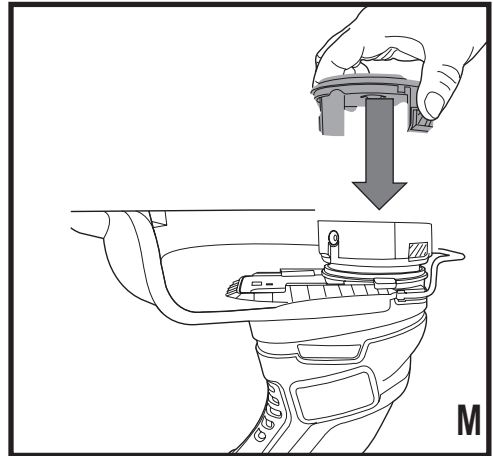
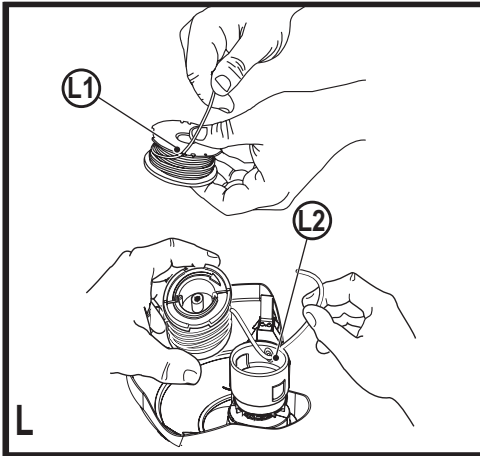
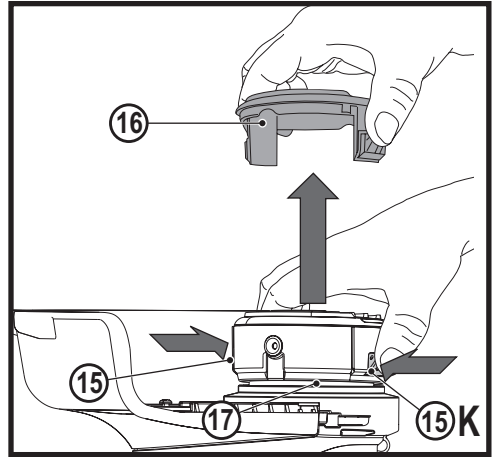
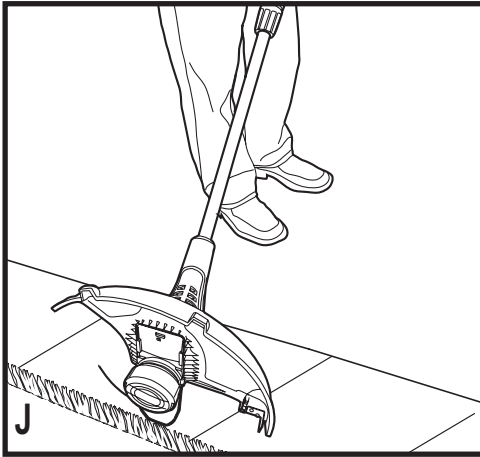


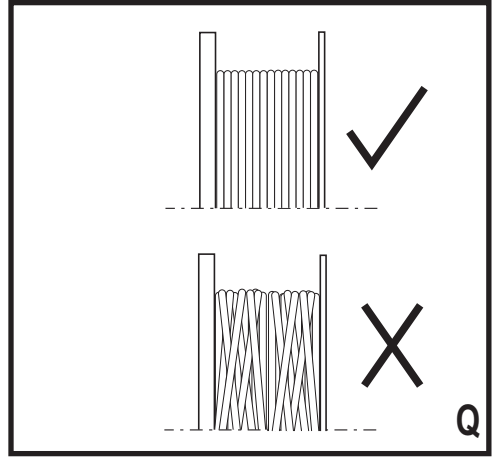
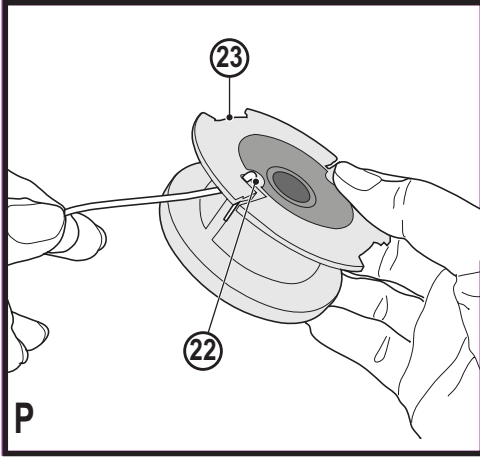
**E**



**F**







### Intended use

Your BLACK+DECKER ST182320 trimmer has been designed for trimming and finishing lawn edges and to cut grass in confined spaces. This appliance is intended for consumer use only.

## Safety instructions

**Warning!** When using mains-powered appliances, basic safety precautions, including the following, should always be followed to reduce the risk of fire, electric shock, personal injury and material damage.

**Warning!** When using the machine the safety rules must be followed. For your own safety and bystanders please read these instructions before operating the machine. Please keep the instructions safe for later use.

- ◆ Read all of this manual carefully before operating the appliance.
- ◆ The intended use is described in this manual. The use of any accessory or attachment or the performance of any operation with this appliance other than those recommended in this instruction manual may present a risk of personal injury.

- ◆ Retain this manual for future reference.

## Using your appliance

Always take care when using the appliance.

- ◆ Always use safety glasses or goggles.
- ◆ Never allow children, persons with reduced physical, sensory or mental capabilities or lack of experience and knowledge or people unfamiliar with these instructions to use the machine, local regulations may restrict the age of the operator.
- ◆ Never operate the machine while people, especially children, or pets are nearby.
- ◆ Do not allow children or animals to come near the work area or to touch the appliance.
- ◆ Close supervision is necessary when the appliance is used near children.
- ◆ This appliance is not intended for use by young or infirm persons without supervision.
- ◆ This appliance is not to be used as a toy.

- ◆ Only use the appliance in daylight or good artificial light.
- ◆ Use in a dry location only. Do not allow the appliance to become wet.
- ◆ Avoid using the appliance in bad weather conditions, especially when there is a risk of lightning.
- ◆ Do not immerse the appliance in water.
- ◆ Do not open the body casing. There are not user-serviceable parts inside.
- ◆ Do not operate the appliance in explosive atmospheres, such as in the presence of flammable liquids, gases or dust.
- ◆ The appliance is only to be used with the power supply unit provided with the appliance.

## Residual risks

Additional residual risks may arise when using the tool which may not be included in the enclosed safety warnings. These risks can arise from misuse, prolonged use etc. Even with the application of the relevant safety regulations and the implementation of safety devices,

certain residual risks can not be avoided. These include:

- ◆ Injuries caused by touching any rotating/moving parts.
- ◆ Injuries caused when changing any parts, blades or accessories.
- ◆ Injuries caused by prolonged use of a tool. When using any tool for prolonged periods ensure you take regular breaks.
- ◆ Impairment of hearing.
- ◆ Health hazards caused by breathing dust developed when using your tool (example:- working with wood, especially oak, beech and MDF.)

## After use

- ◆ When not in use, the appliance should be stored in a dry, well ventilated place out of reach of children.
- ◆ Children should not have access to stored appliances.
- ◆ When the appliance is stored or transported in a vehicle it should be placed in the boot or restrained to prevent movement following sudden changes in speed or direction.



## Inspection and repairs

- ◆ Before use, check the appliance for damaged or defective parts. Check for breakage of parts and any other conditions that may affect its operation.
- ◆ Do not use the appliance if any part is damaged or defective.
- ◆ Have any damaged or defective parts repaired or replaced by an authorised repair agent.
- ◆ Never attempt to remove or replace any parts other than those specified in this manual.

## Safety of others

- ◆ This appliance can be used by children aged from 8 years and above and persons with reduced physical, sensory or mental capabilities or lack of experience and knowledge if they have been given supervision or instruction concerning use of the appliance in a safe way and understand the hazards involved.
- ◆ Children shall not play with the appliance. Cleaning and user maintenance shall not be made by children without supervision.

## Vibration

The declared vibration emission values stated in the technical data and the declaration of conformity have been measured in accordance with a standard test method provided by EN50636 and may be used for comparing one tool with another. The declared vibration emission value may also be used in a preliminary assessment of exposure.

**Warning!** The vibration emission value during actual use of the power tool can differ from the declared value depending on the ways in which the tool is used. The vibration level may increase above the level stated.

When assessing vibration exposure to determine safety measures required by 2002/44/EC to protect persons regularly using power tools in employment, an estimation of vibration exposure should consider, the actual conditions of use and the way the tool is used, including taking account of all parts of the operating cycle such as the times when the tool is switched off and

when it is running idle in addition to the trigger time.

## **Additional safety instructions for grass trimmers**

**Warning!** Cutting elements continue to rotate after the motor is switched off.

- ◆ Be familiar with the controls and the proper use of the appliance.
- ◆ Always remove the battery from the appliance whenever the appliance is unattended, before clearing a blockage, before cleaning and maintenance, after striking a foreign object. Or whenever the appliance starts vibrating abnormally.
- ◆ Wear stout shoes or boots to protect your feet.
- ◆ Wear long trousers to protect your legs.
- ◆ Before using the appliance, check that your cutting path is free from sticks, stones, wire and any other obstacles.
- ◆ Only use the appliance in the upright position, with the cutting line near the ground. Never switch the appliance on in any other position.
- ◆ Move slowly when using the appliance. Be aware that freshly cut grass is damp and slippery.
- ◆ Do not work on steep slopes. Work across the face of slopes, not up and down.
- ◆ Never cross gravel paths or roads while the appliance is running.
- ◆ Never touch the cutting line while the appliance is running.
- ◆ Do not put the appliance down until the cutting line has come to a complete standstill.
- ◆ Use only the appropriate type of cutting line. Never use metal cutting line or fishing line.
- ◆ Be careful not to touch the line trimming blade.
- ◆ Keep hands and feet away from the cutting line at all times, especially when switching on the motor.
- ◆ Before using the appliance and after any impact, check for signs of wear or damage and repair as necessary.

- ◆ Never operate the appliance with damaged guards or without guards in place.
- ◆ Take care against injury from any device fitted for trimming the filament line length. After extending new cutter line always return the machine to its normal operating position before switching on.
- ◆ Always ensure that the ventilation slots are kept clear of debris.

## **Additional safety instructions for batteries and chargers**

### **Batteries**

- ◆ Never attempt to open for any reason.
- ◆ Do not expose the battery to water.
- ◆ Do not store in locations where the temperature may exceed 40 °C.
- ◆ Charge only at ambient temperatures between 10 °C and 40 °C.
- ◆ Charge only using the charger provided with the tool.

- ◆ When disposing of batteries, follow the instructions given in the section “Protecting the environment”.

### **Chargers**

- ◆ Use your BLACK+DECKER charger only to charge the battery in the tool with which it was supplied. Other batteries could burst, causing personal injury and damage.
- ◆ Never attempt to charge non-rechargeable batteries.
- ◆ Have defective cords replaced immediately.
- ◆ Do not expose the charger to water.
- ◆ Do not open the charger.
- ◆ Do not probe the charger.



The charger is intended for indoor use only.



Read the instruction manual before use.

## Electrical safety



Your charger is double insulated; therefore no earth wire is required. Always check that the mains voltage corresponds to the voltage on the rating plate. Never attempt to replace the charger unit with a regular mains plug.

- ◆ If the supply cord is damaged, it must be replaced by the manufacturer or an authorised BLACK+DECKER Service Centre in order to avoid a hazard.

## Labels on appliance

The following pictograms are shown on the tool along with the date code:



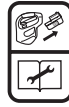
Read the manual prior to operation.



Wear safety glasses or goggles when operating this appliance.



Wear suitable ear protectors when operating this appliance.



Always remove the battery from the appliance before performing any cleaning or maintenance.



Beware of flying objects. Keep bystanders away from the cutting area.



Do not expose the appliance to rain or high humidity.



Directive 2000/14/EC guaranteed sound power.

### Features

This appliance includes some or all of the following features.

1. Trigger
2. Lock off button
3. Handle
4. Auxiliary handle
5. Height adjust collar
6. Trimmer head
7. Edge guide
8. Guard
9. Spool housing
10. Battery

### Charging the battery (Fig. A)

The battery needs to be charged before first use and whenever it fails to produce sufficient power on jobs that were easily done before.

The battery may become warm while charging; this is normal and does not indicate a problem.

**Warning!** Do not charge the battery at ambient temperatures below 10 °C or above 40 °C. Recommended charging temperature: approx. 24 °C.

**Note:** The charger will not charge a battery if the cell temperature is below approximately 10 °C or above 40 °C.

The battery should be left in the charger and the charger will begin to charge automatically when the cell temperature warms up or cools down.

- ◆ Plug the charger into an appropriate outlet before inserting the battery pack.
- ◆ Insert the battery pack into the charger.



The green LED will flash indicating that the battery is being charged.



The completion of charge is indicated by the green LED remaining on continuously. The pack is fully charged and may be used at this time or left in the charger

**Warning!** Recharge discharged batteries as soon as possible after use or battery life may be greatly diminished.

### Charger diagnostics

This charger is designed to detect certain problems that can arise with the battery packs or the power source. Problems are indicated by one LED flashing in different patterns.

### Bad Battery



The charger can detect a weak or damaged battery. The red LED flashes in the pattern indicated on the label. If you see this bad battery blink pattern, do not continue to charge the battery. Return it to a service centre or a collection site for recycling

### Hot/Cold Pack Delay



When the charger detects a battery that is excessively hot or excessively cold, it automatically starts a Hot/Cold Pack delay, suspending charging until the battery has normalised. After this happens, the charger automatically switches to the Pack Charging mode. This feature ensures maximum battery life. The red LED flashes in the pattern indicated on the label when the Hot/Cold pack delay is detected.

### Leaving the battery in the charger

The charger and battery pack can be left connected with the LED glowing indefinitely. The charger will keep the battery pack fresh and fully charged.

### Important charging notes

- ◆ Longest life and best performance can be obtained if the battery pack is charged when the air temperature is between 65°F and 75°F (18° - 24 °C). DO NOT charge the battery pack in an air temperature below +40°F (+4.5°C), or above +105°F (+40.5°C). This is important and will prevent serious damage to the battery pack.
- ◆ The charger and battery pack may become warm to touch while charging. This is a normal condition, and does not indicate a problem. To facilitate the cooling of

the battery pack after use, avoid placing the charger or battery pack in a warm environment such as in a metal shed, or an uninsulated trailer

- ◆ If the battery pack does not charge properly:
  - ◆ Check current at receptacle by plugging in a lamp or other appliance
  - ◆ Check to see if receptacle is connected to a light switch which turns power off when you turn out the lights.
  - ◆ Move charger and battery pack to a location where the surrounding air temperature is approximately 65°F - 75°F (18° - 24°C).
  - ◆ If charging problems persist, take the appliance, battery pack and charger to your local service center.
- ◆ The battery pack should be recharged when it fails to produce sufficient power on jobs which were easily done previously. DO NOT CONTINUE to use under these conditions. Follow the charging procedure. You may also charge a partially used pack whenever you desire with no adverse affect on the battery pack.
- ◆ Foreign materials of a conductive nature such as, but not limited to, steel wool, aluminium foil, or any buildup of metallic particles should be kept away from charger cavities. Always unplug the charger from the power supply when there is no battery pack in the cavity. Unplug charger before attempting to clean.
- ◆ Do not freeze or immerse charger in water or any other liquid.

**Warning!** Shock hazard. Do not allow any liquid to get inside charger. Never attempt to open the battery pack for any reason. If the plastic housing of the battery pack breaks or cracks, return to a service center for recycling.

### Installing and removing the battery pack from the appliance

**Warning!** Make certain the lock-off button is not engaged to prevent switch actuation before removing or installing battery.

#### To install battery pack

Insert battery (10) into appliance until an audible click is heard (Figure B). Ensure battery pack is fully seated and fully latched into position.

#### To remove battery pack

Depress the battery release button (11) as shown in Figure C and pull battery pack out of appliance.

### Assembly

**Warning!** Before assembly, make sure that the tool is switched off and the battery has been removed.

**Assembly tools required (not supplied):** Phillips Screwdriver.

## Fitting the guard (Fig. D, E)

**Warning!** Remove the battery from the appliance before attempting to attach the guard, edge guide or handle. Never operate appliance without guard firmly in place. The guard must always be on the appliance to protect the user.

- ◆ Remove the screw from the guard.
- ◆ Turn the trimmer upside down so that you are looking down at the spool cap (16).
- ◆ Turn the guard (8) upside down and slide it fully onto the motor housing (12). Make sure the tabs (13) on the guard slip into the holes (14) of the motor housing as shown in Figure D.
- ◆ Continue to slide the guard on until you hear it “snap” into place.
- ◆ Using a phillips screwdriver, insert the guard screw and tighten securely as shown in Figure E to complete the guard assembly.
- ◆ Once the guard is installed, remove the covering from the line cut-off blade, located on the edge of the guard.

**Warning!** Never use the tool unless the guard is properly fitted.

## Height adjustment (Fig. F, G–G3)

**Warning!** Adjust the length of the trimmer to obtain proper working positions shown in Figures G–G3.

- ◆ The overall height of the trimmer can be adjusted by loosening the height-adjust collar (5) and rotating it in the direction of the arrow shown in Figure F.
- ◆ Move the upper housing straight up or down. When the desired height is achieved, tighten the collar by rotating it opposite of the direction shown in Figure F.

## Releasing the cutting line

In transit, the cutting line is taped to the spool housing.

- ◆ Remove the tape holding the cutting line to the spool housing.

## Operation

**Warning!** Always use proper eye protection.

**Warning!** Before you begin trimming, only use the appropriate type of cutting line.

**Note:** Inspect area to be trimmed and remove any wire, cord, or string-like objects which could become entangled in the rotating line or spool. Be particularly careful to avoid any wire which might be bent outwardly into the path of the appliance, such as barbs at the base of a chain link fence.

## Switching on and off

- ◆ To switch the appliance on, push the lock-off button (2), and squeeze the trigger (1).
- ◆ To switch the appliance off, release the trigger.

## Operating the trimmer (Fig. F, G–G3)

- ◆ With the unit on, angle unit and slowly swing the trimmer side to side as shown in Figure G.
- ◆ Maintain a cutting angle of 5° to 10° as shown in Figure G1. Do not exceed 10° (Figure G2). Cut with the tip of the line. To keep distance from hard surfaces use edge guide (7).
- ◆ Maintain a minimum distance of 600mm between the guard and your feet as shown in Figure G3. To achieve this distance adjust the overall height of the trimmer as shown in Figure F.

## Convert to edging mode (Fig. H, I)

**Warning!** When being used as an Edger, stones, pieces of metal and other objects can be thrown out at high speed by the line. The trimmer and guard are designed to reduce the danger. However, **MAKE SURE** that other persons and pets are at least 30 m away. Optimum cutting results are achieved on edges deeper than 50 mm.

- ◆ Remove the battery from the trimmer.
- ◆ To operate as a maintenance edger, turn the collar (5) as shown in part 1 of Figure H.
- ◆ Hold the metal shaft and rotate the lower housing 180° as shown in part 2.
- ◆ Turn the collar until tight.
- ◆ Lift the edge guide (7) into the edging position as shown in Figure I.
- ◆ Position the trimmer above the surface as shown in Figure J.
- ◆ Return to the trimming position by loosening the lock collar and rotating the lower housing back 180°. Turn the collar until tight.

## Helpful cutting tips

- ◆ Use the tip of the string to do the cutting; do not force string head into uncut grass. Use edge guide along such things as fences, houses and flower beds for best practices.
- ◆ Wire and picket fences cause extra string wear, even breakage. Stone and brick walls, curbs, and wood may wear string rapidly.
- ◆ Do not allow spool cap to drag on ground or other surfaces.
- ◆ In long growth cut from the top down and do not exceed 300 mm high.
- ◆ Keep trimmer tilted toward the area being cut; this is the best cutting area.
- ◆ The trimmer cuts when passing the unit from the right to left. This will avoid throwing debris at the operator.
- ◆ Avoid trees and shrubs. Tree bark, wood moldings, siding, and fence posts can easily be damaged by the string.

## Cutting line / line feeding

Your trimmer uses 1.65 mm diameter, Round nylon line. During use, the tips of the nylon lines will become frayed and worn and the special self feeding spool will automatically feed and trim a fresh length of line. Cutting line will wear faster and require more feeding if the cutting or edging is done along sidewalks or other abrasive surfaces or heavier weeds are being cut.

The advanced automatic line feeding mechanism senses when more cutting line is needed and feeds and trims the correct length of line whenever it's required. Do not bump unit on ground in attempt to feed line or for any other purposes.

## Clearing jams and tangled line (Fig. K, L, M)

**Warning!** Remove the battery from the trimmer before making any assembly, adjustments or changing accessories. Such preventive safety measures reduce the risk of starting the appliance accidentally. From time to time, especially when cutting thick or stalky weeds, the line feeding hub may become clogged with sap or other material and the line will become jammed as a result. To clear the jam, follow the steps listed below.

- ◆ Remove the battery from the trimmer.
- ◆ Press the release tabs (15) on the line spool cap (16), as shown in Figure K and remove the cap by pulling it straight off.
- ◆ Pull the nylon line spool out and clear any broken line or cutting debris from the spool area.
- ◆ Place spool and line into spool cap with line "parked" in slots provided as shown in Figure L1.
- ◆ Insert the line end through the appropriate hole in the spool housing. Pull slack line through until it pulls out of the holding slots as shown in Figure L2.
- ◆ Press the spool down gently and rotate it until you feel it drop into place and then push to snap into place. (When in place, the spool will turn a few degrees left and right freely).
- ◆ Take care to keep the line from becoming trapped under the spool.
- ◆ Align the spool cap tabs with the slots on the spool housing.
- ◆ Snap the spool cap back on as shown in Figure M by depressing lugs and pressing into spool housing.

**Note:** Make sure that cover is fully positioned, listen for two audible clicks to ensure both lugs are correctly located. Power the appliance on. In a few seconds or less you'll hear the nylon line being cut automatically to the proper length.

**Warning!** To avoid appliance damage, if the cutting line protrudes beyond the trimming blade, cut it off so that it just reaches the blade.

**Note:** Other replacement parts (guards, spool caps, etc.) are available through BLACK+DECKER service centers. To find your local service location visit [www.blackanddecker.com](http://www.blackanddecker.com).

**Warning!** The use of any accessory not recommended by BLACK+DECKER for use with this appliance could be hazardous.

## Replacing the spool (Fig. K, L, M, N)

- ◆ Remove battery from appliance.
- ◆ Depress the tabs (15) and remove the spool cap (16) from the spool housing (17) (Figure K).
- ◆ Grasp empty spool with one hand and spool housing with other hand and pull spool out.
- ◆ If lever (18) (Figure N) in base of housing becomes dislodged, replace in correct position before inserting new spool into housing.
- ◆ Remove any dirt and grass from the spool and housing.
- ◆ Unfasten the end of the cutting line and guide the line into the eyelet (L2) Figure L.
- ◆ Take the new spool and push it onto the boss (19) (Figure N) in the housing. Rotate the spool slightly until it is seated. The line should protrude approximately 136 mm from the housing.
- ◆ Align the tabs on the spool cap with the slots in the housing (Figure M).
- ◆ Push the cap onto the housing until it snaps securely into place.

## Rewinding spool from bulk line (Fig. O, P, Q)

Bulk line is also available for purchase from your local retailer. Note: Hand wound spools from bulk line are likely to become tangled more frequently than BLACK+DECKER factory wound spools. For best results, factory wound spools are recommended. To install bulk line, follow the steps below:

- ◆ Remove battery from appliance.
- ◆ Remove the empty spool from the appliance as described in "Replacing the spool"
- ◆ Remove any remaining cutting line from the spool.
- ◆ Make a fold at the end of the cutting line at about 19 mm (20). Feed the cutting line into one of the line anchoring slots (21) as shown in Figure O.
- ◆ Insert the 19 mm end of the bulk line into the hole (22) in the spool adjacent to the slot as shown in Figure P. Make sure the line is pulled tight against the spool as shown in Figure P.
- ◆ Wind the cutting line onto the spool in the direction of the arrow on the spool. Make sure to wind the line on neatly and in layers. Do not crisscross (Figure Q).
- ◆ When the wound cutting line reaches the recesses (23), cut the line (Figure P).
- ◆ Fit the spool onto the appliance as described in "Replacing the spool".

## Maintenance

Your BLACK+DECKER corded/cordless appliance/tool has been designed to operate over a long period of time with a minimum of maintenance. Continuous satisfactory operation depends upon proper tool/appliance care and regular cleaning.

Your charger does not require any maintenance apart from regular cleaning.

**Warning!** Before performing any maintenance on corded/cordless power tools:

- ◆ Switch off and unplug the appliance/tool.
- ◆ Or switch off and remove the battery from the appliance/tool if the appliance/tool has a separate battery pack.
- ◆ Or run the battery down completely if it is integral and then switch off.
- ◆ Unplug the charger before cleaning it. Your charger does not require any maintenance apart from regular cleaning.
- ◆ Regularly clean the ventilation slots in your tool/appliance and charger using a soft brush or dry cloth.
- ◆ Regularly clean the motor housing using a damp cloth. Do not use any abrasive or solvent-based cleaner.
- ◆ Regularly clean the cutting line and spool using a soft brush or dry cloth.
- ◆ Regularly use a blunt scraper to remove grass and dirt from the underneath of the guard.

## Troubleshooting

Problem	Solution
Appliance runs slowly.	Remove battery from trimmer.  Check that the spool housing can rotate freely. Carefully clean it if necessary.  Check that the cutting line does not protrude more than approximately 122 mm from the spool. If it does, cut it off so that it just reaches the line trimming blade.
Automatic line feed does not feed line.	More line is fed when the line shortens to approximately 76 mm. To determine if the line is not feeding, let line wear past this point.  Keep the tabs depressed and remove the spoolcap with the spool from the spool housing in the trimmer head.  Ensure that the line is not crisscrossed on the spool as detailed in (Fig. Q). If it is unwind the cutting line and rewind it neatly.

	<p>Inspect tracks at the bottom of spool for damage. If damaged, replace spool.</p> <p>Pull the cutting line until it protrudes approximately 122 mm from the spool. If insufficient cutting line is left on the spool, install a new spool of cutting line.</p> <p>Align the tabs on the spool cap with the cut outs in the housing. Push the spool cap onto the housing until it snaps securely into place.</p> <p>If the cutting line protrudes beyond the trimming blade, cut it off so that it just reaches the blade. If the automatic line feed still does not work or the spool is jammed, try the following suggestions: Carefully clean the spool and housing. Make sure you are using correct line size and diameter (2.00 mm) - smaller and larger line sizes will affect the functionality of the auto feed system.</p> <p>Remove the spool and check if the lever in the spool housing can move freely.</p> <p>Remove the spool and unwind the cutting line, then wind it on neatly again. Replace the spool into the housing.</p>
Overfeeding	<p>Ensure you are cutting with the tip of the line 177 mm from the spool. Use the edge guide if needed to ensure proper space is maintained.</p> <p>Ensure you are not exceeding a 10° angle as shown in (Fig. G1).</p>
Line unravels when cap or spool is removed	<p>Make sure to park the lines in holding slots (Fig. L1) before removing.</p>

## Protecting the environment



Separate collection. Products and batteries marked with this symbol must not be disposed of with normal household waste.

Products and batteries contain materials that can be recovered or recycled reducing the demand for raw materials. Please recycle electrical products and batteries according to local provisions. Further information is available at [www.2helpU.com](http://www.2helpU.com).



**Technical data**

		<b>ST182320</b>
<b>Input Voltage</b>	V <sub>DC</sub>	18
<b>No-Load Speed</b>	min <sup>-1</sup>	900
<b>Weight</b>	kg	2.05

		<b>BL2018</b>
<b>Battery Voltage</b>	V <sub>DC</sub>	18
<b>Capacity</b>	Ah	2,0
<b>Type</b>		Li-Ion

		<b>905902** (typ. 1)</b>
<b>Charger Input Voltage</b>	V <sub>AC</sub>	230
<b>Output Voltage</b>	V <sub>DC</sub>	18
<b>Current</b>	mA	400

Hand/arm weighted vibration value according to EN50636-2-91: = < 3.6 m/s<sup>2</sup>, uncertainty (K) = 1.5 m/s<sup>2</sup>.  
 L<sub>PA</sub> (sound pressure) 76 dB(A)  
 uncertainty (K) = 2.6 dB(A)

**EC declaration of conformity**

MACHINERY DIRECTIVE OUTDOOR NOISE DIRECTIVE



ST182320 Cordless String Trimmer

Black & Decker declares that these products described under "technical data" are in compliance with: 2006/42/EC, EN60335-1: 2012 + A11:2014, EN50636-2-91:2014 2000/14/EC, Lawn Trimmer, L ≤ 50 cm, Annex VI DEKRA Certification B.V., Utrechtseweg 310, 6802 ED Arnhem, The Netherlands Notified Body ID No.: 0344

Level of sound power according to 2000/14/EC (Article 12, Annex III, L ≤ 50 cm):

L<sub>WA</sub> (measured sound power) 88 dB(A)  
 uncertainty (K) = 2.6 dB(A)

L<sub>WA</sub> (guaranteed sound power) 96 dB(A)

These products also comply with Directive 2014/30/EU and 2011/65/EU.

For more information, please contact Black & Decker at the following address or refer to the back of the manual.

The undersigned is responsible for compilation of the technical file and makes this declaration on behalf of Black & Decker.

R. Laverick  
 Director of Engineering  
 Black & Decker Europe, 210 Bath Road, Slough,  
 Berkshire, SL1 3YD  
 United Kingdom  
 16/11/2016

**Guarantee**

Black & Decker is confident of the quality of its products and offers consumers a 24 month guarantee from the date of purchase. This guarantee is in addition to and in no way prejudices your statutory rights. The guarantee is valid within the territories of the Member States of the European Union and the European Free Trade Area.

To claim on the guarantee, the claim must be in accordance with Black&Decker Terms and Conditions and you will need to submit proof of purchase to the seller or an authorised repair agent. Terms and conditions of the Black&Decker 2 year guarantee and the location of your nearest authorised repair agent can be obtained on the Internet at [www.2helpU.com](http://www.2helpU.com), or by contacting your local Black & Decker office at the address indicated in this manual.

Please visit our website [www.blackanddecker.co.uk](http://www.blackanddecker.co.uk) to register your new Black & Decker product and receive updates on new products and special offers.

## Сфера застосування

Ваш тример виробництва компанії BLACK+DECKER ST182320 був розроблений для підстригання та чистової обробки газону та для скошування трави у важкодоступних ділянках. Цей пристрій призначений лише для побутового використання.

## Інструкції з техніки безпеки

**ОБЕРЕЖНО!** Під час використання пристроїв з живленням від

електричної мережі необхідно дотримуватись основних заходів безпеки, включаючи наступні, щоб знизити ризик виникнення пожежі, ураження електричним струмом, травм та матеріальних ушкоджень.

**ОБЕРЕЖНО!** Під час використання пристрою необхідно дотримуватись правил техніки безпеки. Перед використанням пристрою уважно прочитайте цей посібник для забезпечення власної безпеки та безпеки сторонніх людей. Будь ласка, зберігайте інструкції в безпечному місці для використання в майбутньому.

- ◆ Перед роботою з пристроєм уважно прочитайте цей посібник.
- ◆ Використання за призначенням описане в цьому керівництві. Використання будь-якого приладдя насадок чи додаткового обладнання

або виконання операцій з приладом, не описаних у цьому посібнику, може призвести до особистих травм.

- ◆ Зберігайте цей посібник для отримання інформації в подальшому.

## Використання пристрою

Будьте уважні під час використання пристрою.

- ◆ Завжди використовуйте захисні окуляри.
- ◆ У жодному разі не дозволяйте дітям, особам зі зниженими фізичними, сенсорними або розумовими можливостями або особам, яким бракує досвіду чи знань, а також людям, які не ознайомлені з даними інструкціями, використовувати пристрій; місцеві законодавчі акти можуть обмежувати вік оператора.
- ◆ У жодному разі не використовуйте пристрій, коли поряд знаходяться інші люди, особливо діти, або домашні тварини.

- ◆ Не дозволяйте дітям або тваринам підходити до робочої зони та торкатися пристрою.
- ◆ Необхідний ретельний нагляд у випадках, коли пристрій використовується біля дітей.
- ◆ Цей пристрій не призначений для використання молодими та хворими людьми без нагляду.
- ◆ Цей інструмент не можна використовувати в якості іграшки.
- ◆ Використовуйте цей пристрій лише вдень або за умови доброго штучного освітлення.
- ◆ Використовуйте лише у сухому місці. Не дозволяйте, щоб пристрій був вологим.
- ◆ Уникайте використання пристрою у погану погоду, особливо коли є ризик удару блискавки.
- ◆ Не занурюйте пристрій у воду.
- ◆ Не відкривайте корпус. Всередині відсутні деталі, які користувач може обслуговувати самостійно.
- ◆ Не використовуйте цей пристрій у вибухонебезпечних умовах, наприклад,

в присутності легкозаймистих рідин, газів або пилу.

- ◆ Цей пристрій можна використовувати лише з джерелом живлення, що надається в комплекті.

## **Залишкові ризики**

Під час використання інструмента можуть виникнути додаткові залишкові ризики, які не внесено до попереджень щодо техніки безпеки в цьому посібнику. Ці ризики можуть виникнути як результат неправильного використання, тривалого використання тощо.

Незважаючи на виконання всіх відповідних правил техніки безпеки та використання захисних пристроїв, неможливо уникнути деяких залишкових ризиків. Сюди належать:

- ◆ травми через контакт з деталями, що рухаються/обертаються;
- ◆ травми під час заміни деталей, пильних полотен або аксесуарів;
- ◆ травми через занадто тривале використання інструменту.

Під час використання будь-якого інструменту протягом тривалого періоду часу не забувайте робити регулярні перерви;

- ◆ порушення слуху;
- ◆ небезпека для здоров'я через вдихання пилу, що утворюється під час використання інструменту (наприклад, під час роботи з деревом, особливо з дубом, буком та ДВП).

## Після використання

- ◆ Коли пристрій не використовується, його необхідно зберігати у сухому, добре провітрюваному та недоступному для дітей місці.
- ◆ Діти не повинні мати доступ до пристрою в місці зберігання.
- ◆ Якщо пристрій зберігається або транспортується в автомобілі, його необхідно помістити в багажник або зафіксувати, щоб уникнути рухів через раптові зміни швидкості або напрямку.

## Перевірка та ремонт

- ◆ Перед використанням перевірте пристрій на наявність пошкоджених деталей. Перевірте на наявність пошкоджених деталей та інших умов, що можуть вплинути на роботу.
- ◆ Не використовуйте пристрій, якщо виявлено пошкодження або дефекти якоїсь деталі.
- ◆ Пошкоджені або дефектні деталі необхідно відремонтувати або замінити, звернувшись до авторизованого центру з ремонту.
- ◆ Ніколи не намагайтесь знімати або замінювати деталі, за винятком тих, що вказані в цьому керівництві.

## Безпека оточення

- ◆ Цей пристрій можуть використовувати діти від 8 років та особи зі зниженими фізичними, сенсорними та розумовими можливостями або з недостатнім досвідом та знаннями, якщо вони знаходяться під наглядом

та отримали інструкції щодо використання цього пристрою безпечним чином і зрозуміли можливу небезпеку.

- ◆ Не дозволяйте дітям грати з пристроєм. Не дозволяйте дітям очищувати пристрій та виконувати його технічне обслуговування.

## Вібрація

Значення вібрації, вказані в технічних даних та в декларації про відповідність виміряні з дотриманням стандартних методів тестування, наданих у EN50636, та їх можна використовувати для порівняння одного інструменту з іншим. Задекларовані значення вібрації можна також використовувати для попереднього оцінювання впливу вібрації.

**ОБЕРЕЖНО!** Значення вібрації під час використання інструмента може відрізнятись від задекларованого в залежності від способів використання інструмента. Рівень вібрації може перевищувати вказані значення.

Оцінюючи вплив вібрації для визначення заходів безпеки за вимогами 2002/44/ЕС, щоб захистити людей, які регулярно використовують інструменти в роботі, необхідно враховувати реальні умови та способи використання інструмента, у тому числі всі періоди робочого циклу, наприклад час, коли інструмент вимкнено та коли він працює в режимі холостого ходу, а також час, потрібний для запуску інструмента.

## Додаткові інструкції з техніки безпеки для тримерів

**ОБЕРЕЖНО!** Ріжучі елементи продовжують обертатися після вимкнення мотору.

- ◆ Ознайомтесь з органами управління та правилами відповідного використання пристрою.
- ◆ Завжди виймайте батарею з пристрою щоразу, коли залишаєте пристрій без нагляду, перед усуненням забивання, перед очищенням та технічним обслуговуванням, після зіткнення із стороннім

- предметом. Також робіть це, коли пристрій починає занадто сильно вібрувати.
- ◆ Підберіть міцне неслизьке взуття для захисту ніг.
  - ◆ Вдягайте довгі штани, щоб захистити ноги.
  - ◆ Перед використанням пристрою переконайтеся, що ділянка, яку планується підстригати, вільна від прутів, каміння, дротів та інших перешкод.
  - ◆ Використовуйте цей пристрій лише у вертикальному положенні так, щоб ріжуча волосінь була недалеко від землі. Ніколи не вмикайте інструмент в іншому положенні.
  - ◆ Під час використання пристрою рухайтесь повільно. Пам'ятайте, що скошена трава волога та слизька.
  - ◆ Не працюйте на крутих схилах. Рухайтесь по схилу поперек, а не вгору або вниз.
  - ◆ У жодному разі не переходьте гравієві доріжки та дороги з увімкненим пристроєм.
  - ◆ У жодному разі не торкайтесь різальної волосіні, коли інструмент увімкнений.
  - ◆ У жодному разі не кладіть пристрій, доки різальна волосінь повністю не зупиниться.
  - ◆ Використовуйте різальну волосінь лише відповідного типу. Забороняється використовувати металевий трос та рибальську волосінь.
  - ◆ У жодному разі не торкайтесь леза підрізного ножа.
  - ◆ Тримайте руки та ноги подалі від різальної волосіні, особливо під час вмикання електродвигуна.
  - ◆ Перед використанням пристрою та після будь-якої роботи з ним перевіряйте пристрій на ознаки зносу або пошкодження та виконуйте ремонт в разі потреби.
  - ◆ У жодному разі не використовуйте інструмент із пошкодженими захисними кожухами або без них.
  - ◆ Будьте обережні, щоб не поранитись пристроєм, встановленим для підрізання

довжини різальної волосіні. Після витягування нової різальної волосіні завжди повертайте пристрій у нормальне робоче положення перед увімкненням його.

- ◆ Стежте за тим, що вентиляційні отвори були чистими.



## Додаткові інструкції з техніки безпеки для батарей та зарядних пристроїв

### Батареї

- ◆ Ніколи не намагайтесь відкривати батарею.
- ◆ Не занурюйте батарею у воду.
- ◆ Не зберігайте у місцях, де температура може перевищувати 40 °С.
- ◆ Заряджайте лише за температури навколишнього середовища між 10 °С та 40 °С.
- ◆ Заряджайте лише за допомогою зарядного пристрою, що надається з інструментом.
- ◆ Під час утилізації батарей виконуйте інструкції,

наведені в розділі «Захист навколишнього середовища».

### Зарядні пристрої

- ◆ Використовуйте зарядний пристрій BLACK+DECKER лише для зарядки батарей того інструменту, з яким він продавався. Інші батареї можуть вибухнути, спричинивши травми та пошкодження.
  - ◆ Ніколи не намагайтесь заряджати батареї, що не підлягають зарядці.
  - ◆ Негайно замінійте пошкоджений шнур живлення.
  - ◆ Не піддавайте зарядний пристрій впливу води.
  - ◆ Не відкривайте корпус зарядного пристрою.
  - ◆ Не розбирайте зарядний пристрій.
-  Зарядний пристрій призначений лише для використання в приміщенні.
-  Прочитайте інструкції цього посібника перед використанням.

## Електрична безпека



Зарядний пристрій має подвійну ізоляцію, тому заземлення непотрібне. Завжди перевіряйте відповідність джерела живлення напрузі, що вказана на табличці з паспортними даними. Ніколи не намагайтесь замінити зарядний пристрій звичайним мережним штепселем.

- ◆ Якщо шнур живлення пошкоджений, його необхідно замінити у виробника або в офіційному сервісному центрі компанії BLACK+DECKER для уникнення небезпеки.

## Маркування на пристрої

Наведені нижче позначки нанесені на інструмент разом з кодом дати.



Прочитайте ці інструкції перед використанням.



Використовуйте захисні окуляри під час роботи з інструментом.



Під час використання пристрою використовуйте засоби захисту органів слуху.



Завжди виймайте батарею з пристрою перед проведенням будь-яких робіт з очищення та технічного обслуговування.



Бережіться об'єктів, які летять. Тримайте сторонніх людей подалі від ріжучої поверхні.



Не залишайте інструмент під дощем та в умовах підвищеної вологості.



Гарантована звукова потужність відповідно до директиви 2000/14/ЕС.

### Компоненти

Цей пристрій має всі або деякі з нижче перерахованих компонентів.

1. Курковий вимикач.
2. Кнопка блокування.
3. Ручка.
4. Допоміжна ручка.
5. Манжета регулювання висоти.
6. Головка тримера.
7. Напрямна для підрізання краю газону.
8. Захисний кожух.
9. Корпус катушки.
10. Батарея.

### Зарядження батареї (рис. А)

Необхідно зарядити батарею перед першим використанням, а також коли вона не може забезпечити



достатню потужність для виконання завдань, які легко виконувались раніше.

Батарея може стати теплою під час зарядки: це нормально та не є показником проблеми.

**ОБЕРЕЖНО!** Не заряджайте батарею за температури навколишнього середовища нижче 10 °C або вище 40 °C. Рекомендована температура зарядки: приблизно 24 °C.

**Примітка.** Зарядний пристрій не заряджає батарею, якщо її температура нижче приблизно 10 °C або вище 40 °C.

Батарею потрібно залишити у зарядному пристрої, який автоматично почне її заряджати, коли температура батареї підніметься або зменшиться.

- ◆ Підключіть зарядний пристрій до відповідної розетки перед встановленням акумулятора.
- ◆ Вставте акумулятор у зарядний пристрій.



Зелений світлодіод почне блимати, вказуючи на те, що батарея заряджається.



Про завершення зарядки свідчить зелений світлодіод, який горить постійно. Це означає, що акумулятор повністю заряджений і може використовуватися відразу або залишатися у зарядному пристрої.

**ОБЕРЕЖНО!** Заряджайте батареї, які розрядилися, якомога швидше після використання, інакше термін служби батарей може значно скоротитися.

## Діагностика зарядного пристрою

Зарядний пристрій призначений для виявлення певних проблем, які можуть виникати з акумулятором або джерелом живлення. Проблеми відображаються різними сигналами світлодіода.

## Несправна батарея



Зарядний пристрій може визначити розряджену або пошкоджену батарею. Червоний світлодіод буде горіти в спосіб, який вказано на ярлику. Якщо ви побачите такий варіант світлодіодного сигналу, припиніть зарядку батареї. Поверніть її в сервісний центр або місце збирання батарей для переробки.

## Затримка через занадто гарячий/холодний акумулятор



Якщо зарядний пристрій визначас, що акумулятор є занадто гарячим або занадто холодним, він автоматично вмикає режим температурної затримки, припиняючи

процес зарядки до моменту, поки акумулятор не досягне нормальної температури. Після цього зарядний пристрій автоматично переходить до режиму зарядки батареї. Ця функція забезпечує максимальний термін служби акумулятора. В разі увімкнення режиму температурної затримки червоний світлодіод буде горіти в спосіб, який вказано на ярлику.

## Залишення батареї в зарядному пристрої

Батареї можна залишити в зарядному пристрої на необмежений час з індикатором, який працює. Зарядний пристрій буде підтримувати батарею у повністю зарядженому стані.

## Важливі примітки щодо зарядки

- ◆ Найдовшого терміну експлуатації та найкращих експлуатаційних характеристик можна досягти за умови заряджання акумулятора за температури навколишнього повітря між 65 °F та 75 °F (18–24 °C). НЕ заряджайте батарею за температури навколишнього середовища нижче +40 °F (+4,5 °C) або вище +105 °F (+40,5 °C). Це важливо та дає можливість запобігти завданню серйозної шкоди акумуляторній батареї.
- ◆ Під час заряджання зарядний пристрій та акумулятор можуть бути теплими на дотик. Це є нормою, і не є показником проблеми. Щоб швидше охолодити батарею після використання, не поміщайте зарядний пристрій та батарею у тепле місце, наприклад у металевий гараж або трейлер без теплоізоляції.
- ◆ Якщо акумулятор не заряджається належним чином:
  - ◆ перевірте наявність струму в розетці шляхом підключення лампи або іншого пристрою;
  - ◆ перевірте, чи розетка підключена до вимикача освітлення, який вмикає живлення, коли ви вимикаєте світло;
  - ◆ помістіть зарядний пристрій та акумулятор у місце, де температура повітря становить приблизно 65–75 °F (18–24 °C);
  - ◆ якщо проблема не вирішується, відправте пристрій, акумулятор та зарядний пристрій у місцевий сервісний центр.
- ◆ Акумулятор необхідно заряджати, коли він припиняє надавати достатню потужності для завдань, які легко виконувались раніше. ПРИПИНІТЬ ВИКОРИСТАННЯ за цих умов. Дотримуйтесь процедури зарядки. Ви можете заряджати частково розряджену батарею коли забажаєте, без шкоди для неї.
- ◆ Запобігайте потраплянню сторонніх предметів, що проводять струм, до порожнин зарядного пристрою, наприклад, металевої стружки, алюмінієвої фольги або будь-яких накопичень часток металу. Завжди відключайте зарядний пристрій від розетки, коли батарея не встановлена в зарядний пристрій.

Відключіть зарядний пристрій від мережі живлення перед його очищенням.

- ◆ Не заморозуйте та не занурюйте зарядний пристрій у воду або будь-яку іншу рідину.

**ОБЕРЕЖНО!** Небезпека ураження електричним струмом. Не дозволяйте рідині потрапити у зарядний пристрій. За жодних умов не намагайтесь відкрити акумулятор. Якщо пластиковий корпус акумулятора розламався або в ньому утворились тріщини, здайте його в сервісний центр для переробки.

### Встановлення акумулятора в інструмент та його виймання з інструмента

**ОБЕРЕЖНО!** Перед встановленням та зніманням батареї переконайтесь, що кнопка блокування інструмента активована, щоб уникнути увімкнення перемикача.

### Встановлення акумулятора

Вставте акумулятор (10) в пристрій, поки не почуєте виразне клацання (рис. В). Переконайтесь, що батарея повністю сіла на своє місце та повністю зафіксована у відповідному положенні.

### Щоб вийняти акумулятор

Натисніть кнопку вивільнення батареї (11), як показано на рисунку С, та витягніть її з пристрою.

### Монтаж

**ОБЕРЕЖНО!** Перед монтажем переконайтесь, що інструмент вимкнено та з нього вийнято акумулятор.

**Необхідний монтажний інструмент (не постачається в комплекті):** хрестовидна викрутка.

### Встановлення захисного кожуха (рис. D, E)

**ОБЕРЕЖНО!** Вийміть батарею з пристрою перед тим, як приступити до встановлення захисного кожуха, напрямно для підрізання краю газону або ручки. У жодному разі не використовуйте пристрій без захисного кожуха. Захисний кожух повинен завжди знаходитись на пристрої для захисту користувача.

- ◆ Видаліть гвинти із захисного кожуха.
- ◆ Переверніть тример догори ногами таким чином, щоб кришка котушки була спрямована вгору (16).
- ◆ Переверніть захисний кожух (8) догори ногами та повністю насуньте його на корпус електродвигуна (12). Переконайтесь, що виступи (13) на захисному кожусі зайшли в отвори (14) в корпусі електродвигуна, як показано на рисунку D.
- ◆ Продовжуйте насувати захисний кожух, поки не почуєте як він «застібнеться» на місці.
- ◆ За допомогою хрестовидної викрутки вставте гвинти захисного кожуха, як показано на рисунку E для завершення збирання захисного кожуха.

- ◆ Після того, як захисний кожух буде встановлено, зніміть чохол з підрізного ножа, який знаходиться на краю захисного кожуха.

**ОБЕРЕЖНО!** Не використовуйте інструмент, якщо захисний кожух встановлено неправильно.

### Регулювання висоти (рис. F, G — G3)

**ОБЕРЕЖНО!** Відрегулюйте висоту тримера для забезпечення належних робочих положень, показаних на рисунках G — G3.

- ◆ Загальну висоту тримера можна відрегулювати, послабивши манжету регулювання висоти (5) та обертаючи її в напрямку стрілки, як показано на рисунку F.
- ◆ Рухайте верхню частину корпусу прямо вгору або вниз. Коли бажана висота буде досягнута, затягніть манжету, обертаючи її в напрямку протилежному тому, який показаний на рисунку F.

### Підготовка різальної волосіні до роботи

При транспортуванні різальна волосінь приклеєна до корпусу котушки.

- ◆ Зніміть клейку стрічку, яка утримує різальну волосінь на корпусі котушки.

### Робота

**ОБЕРЕЖНО!** Завжди використовуйте належний захист очей.

**ОБЕРЕЖНО!** Перед початком роботи з тримером оберіть різальну волосінь відповідного типу.

**Примітка.** Огляньте ділянку, яку необхідно підрізати, та приберіть весь дріт, троси або подібні до них предмети, які можуть бути захоплені волосінню або котушкою, які обертаються. Проявляйте особливу обережність та уникайте дротів, які можуть бути загнуті назовні таким чином, що вони опиняються на шляху пристрою, наприклад, загнуті кінці дроту по нижньому краю сітчастої огорожі.

### Увімкнення та вимкнення

- ◆ Щоб увімкнути пристрій, натисніть кнопку блокування у вимкненому положенні (2), а потім затисніть курковий вимикач (1).
- ◆ Відпустіть вимикач, щоб вимкнути пристрій.

### Експлуатація тримера (рис. F, G — G3)

- ◆ Увімкніть тример, нахиліть його, та рухайте зі сторони в сторону, як показано на рисунку G.
- ◆ Підтримуйте кут різання від 5° до 10°, як показано на рисунку G1. Не перевищуйте кут 10° (рис. G2). Підріжьте траву кінцем волосіні. Для утримання дистанції між тримером та твердими поверхнями застосуйте напрямну для підрізання краю газону (7).

- ◆ Зберігайте мінімальну відстань 600 мм між захисним кожухом та вашими ногами, як показано на рисунку G3. Для досягнення цієї відстані відрегулюйте загальну висоту тримера, як показано на рисунку F.

### Переключення тримера в режим підрізання краю газону (рис. H, I)

**ОБЕРЕЖНО!** Під час використання в режимі підрізання краю газону камінці, частки металу та інші предмети можуть відкидатись волосінню з великою швидкістю. Конструкція тримера та захисний кожух допомагають зменшити небезпеку. Тим не менше **ПЕРЕКОНАЙТЕСЬ**, що інші люди та домашні тварини знаходяться на відстані щонайменше 30 м. Оптимальна якість роботи досягається при висоті краю більше за 50 мм.

- ◆ Зніміть акумулятор з тримера.
- ◆ Для експлуатації тримера в режимі допоміжного підрізання краю газону поверніть манжету (5), як показано в частині 1 рисунка H.
- ◆ Візьміться за металевий вал та поверніть нижню частину корпусу на 180°, як показано в частині 2.
- ◆ Затягніть манжету до упору.
- ◆ Підніміть напрямну для підрізання краю газону (7) в положення підрізання краю газону, як показано на рисунку I.
- ◆ Розташуйте тример над поверхнею, як показано на рисунку J.
- ◆ Поверніть тример в режим підрізання, послабивши манжету-фіксатор та повернувши нижню частину корпусу назад на 180°. Затягніть манжету до упору.

### Корисні підказки щодо підрізання

- ◆ Використовуйте кінчик волосіні для підрізання, не вставляйте всю голівку з волосінню у непідрізану траву. Під час роботи вздовж таких об'єктів, як паркани, будинки та клумби найкращим методом є використання прямої для підрізання краю газону.
- ◆ Дротяні огорожі та паркани можуть спричинити надмірний знос волосіні, навіть її розрив. Кам'яні та цегляні стіни, бордюри та дерево можуть спричинити швидший знос волосіні.
- ◆ Не тягніть кришку котушки по землі та іншим поверхням.
- ◆ При зрізанні високої трави починайте зрізати зверху не більше 300 мм за один прохід.
- ◆ Утримуйте тример нахиленим до ділянки, яка підрізується: це найкраще місце для підрізання.
- ◆ Тример зрізує траву при його переміщенні зліва направо. Це дозволить уникнути потрапляння сміття в оператора.
- ◆ Уникайте дерев та кущів. Волосінню можна легко пошкодити кору дерев, дерев'яні накладки, облицювальні матеріали та паркани.

### Різальна волосінь / заправлення волосіні

У тримері використовується кругла нейлонова волосінь діаметром 1,65 мм. Під час використання кінчики нейлонової волосіні розтріплюються та зношуються, і спеціальна котушка з функцією самостійного постачання автоматично подає та підрізує відрізок свіжої волосіні. Різальна волосінь зноситься швидше та буде вимагати частішої заміни, якщо скошувати траву біля тротуару або іншої абразивної поверхні, або якщо скошувати твердіші бур'яни.

Механізм автоматичної поступальної подачі волосіні визначає, коли потрібно більше різальної волосіні, та подає і підрізує необхідний відрізок волосіні тоді, коли це потрібно. Не бийте пристроєм по землі, намагаючись заставити його подавати волосінь або з будь-якою іншою метою.

### Усунення заїдання та заплутування волосіні (рис. K, L, M)

**ОБЕРЕЖНО!** Зніміть з тримера батарею, перш ніж виконувати будь-які монтажні, регулювальні роботи або заміну комплектуючих. Ці профілактичні заходи зменшують ризик випадкового запуску пристрою. Час від часу, особливо під час скошування товстих або стеблистих бур'янів, втулка подачі волосіні може засмітитись соком рослин або іншим матеріалом, що призводить до застрягання волосіні. Для усунення застрягання виконайте наступні кроки.

- ◆ Зніміть акумулятор з тримера.
- ◆ Натисніть на лапки-фіксатори (15) на кришці котушки (16), як показано на рисунку K, і зніміть кришку, потягнувши її на себе.
- ◆ Вийміть котушку з нейлоновою волосінню й усуньте порвану волосінь або сміття навколо котушки.
- ◆ Вставте котушку з волосінню в кришку, при цьому волосінь повинна бути заправлена в передбачені для цього рівчаки, як показано на рисунку L1.
- ◆ Вставте кінець волосіні у відповідний отвір у корпусі котушки. Протягніть провислу волосінь, поки вона не почне сходити з утримувальних рівчаків, як показано на рисунку L2.
- ◆ Злегка притисніть котушку донизу та обертайте її, поки не відчуєте, що вона встала на місце, після цього натисніть, щоб зафіксувати її в цьому положенні (після встановлення в правильне положення котушка матиме вільний хід на декілька градусів праворуч та ліворуч).
- ◆ Будьте обережні, щоб волосінь не застрягла під котушкою.
- ◆ Вирівняйте лапки-фіксатори кришки котушки відносно пазів у корпусі котушки.

- ◆ Затисніть кришку котушки на місці, як показано на рисунку М, натиснувши на виступи та із зусиллям вставивши її в корпус котушки.

**Примітка.** Переконайтесь, що кришка повністю сіла на своє місце, ви повинні почути два виразних клацання, щоб забезпечити правильне положення обох виступів. Увімкніть живлення пристрою. Через декілька секунд або раніше ви почувете, як нейлонова волосінь автоматично обріжеться до потрібної довжини.

**ОБЕРЕЖНО!** Щоб уникнути пошкодження пристрою, якщо ріжуча волосінь виступає за лезо, обріжте її так, щоб вона тільки доходила до нього.

**Примітка.** Інші заміні частини (захисні кожухи, кришки котушки тощо) наявні в сервісних центрах BLACK+DECKER. Щоб дізнатись адресу вашого місцевого сервісного центру, відвідайте [www.blackanddecker.com](http://www.blackanddecker.com).

**ОБЕРЕЖНО!** Використання будь-якого приладдя, що не рекомендується компанією BLACK+DECKER, може бути небезпечним.

### Заміна котушки (рис. К, Л, М, N)

- ◆ Зніміть акумулятор з пристрою.
- ◆ Натисніть на фіксатори (15) і від'єднайте кришку котушки (16) від корпусу (17) (рисунок К).
- ◆ Візьміться однією рукою за порожню котушку, а іншою — за корпус котушки, і витягніть котушку.
- ◆ Якщо звяжіть (18) (рисунок N) в основі корпусу змістився, встановіть його в правильне положення перед тим, як вставити нову котушку в корпус.
- ◆ Видаліть бруд та траву з котушки та її корпусу.
- ◆ Від'єднайте кінець ріжучої волосіні й пропустіть його в отвір (L2), рисунок L.
- ◆ Візьміть нову котушку та надягніть її на втулку (19) (рисунок N) корпусу. Трохи поверніть котушку, щоб вона стала на місце. Різальна волосінь повинна виступати приблизно на 136 мм з корпусу котушки.
- ◆ Вирівняйте лапки-фіксатори кришки котушки відносно пазів у корпусі котушки (рисунок M).
- ◆ Натисніть на кришку, щоб вона стала на своє місце на корпусі.

### Намотування волосіні на котушку з бухти (рис. O, P, Q)

Волосінь в бухті також можна придбати у вашому місцевому роздрібному магазині. Примітка. Котушки, намотані вручну, більш схильні до заплутування, ніж котушки BLACK+DECKER, намотані в заводських умовах. Для досягнення кращих результатів рекомендується використовувати готові намотані котушки. Для намотування волосіні з бухти виконайте наступні кроки:

- ◆ зніміть акумулятор з пристрою;
- ◆ вийміть порожню котушку з пристрою, як описано в розділі «Заміна котушки»;

- ◆ змотайте всю волосінь, що залишилася, з котушки;
- ◆ загніть різальну волосінь на відстані приблизно 19 мм від кінця (20). Заведіть різальну волосінь в один з рівчаків для фіксації (21), як показано на рисунку O;
- ◆ заведіть 19 мм відрізок волосіні з бухти в отвір (22) в котушці, який знаходиться поряд з рівчаком, як показано на рисунку P. Забезпечте, щоб волосінь була щільно обернена навколо котушки, як показано на рисунку P;
- ◆ намотайте волосінь на котушку в напрямку, вказаному стрілкою на котушці. Намотуйте волосінь обережно та шарами. Уникайте перехрещування витків (рисунок Q);
- ◆ коли останній намотаний шар волосіні буде на рівні пазів (23), обріжте волосінь (рисунок P);
- ◆ установіть котушку на пристрій, як описано в розділі «Заміна котушки».

### Технічне обслуговування

Ваш пристрій виробництва компанії BLACK+DECKER призначений для роботи протягом довгого часу з мінімальним обслуговуванням. Довга задовільна робота інструменту залежить від відповідного обслуговування інструменту/пристрою та регулярного очищення.

Зарядний пристрій не вимагає технічного обслуговування, потрібно лише виконувати регулярне очищення.

**ОБЕРЕЖНО!** Перед виконанням будь-якого технічного обслуговування інструменту зі шнуром живлення або без нього:

- ◆ вимкніть інструмент та відключіть його від мережі живлення;
- ◆ або вимкніть інструмент та витягніть акумулятор з нього, якщо ваш пристрій має окремий акумуляторний блок;
- ◆ або повністю розрядіть акумулятор, якщо пристрій має вбудований акумулятор, а потім вимкніть інструмент;
- ◆ витягніть зарядний пристрій з розетки перед очищенням; зарядний пристрій не вимагає технічного обслуговування, потрібно лише виконувати регулярне очищення;
- ◆ регулярно очищуйте вентиляційні отвори інструмента/пристрою та зарядного пристрою м'якою щіткою або сухою ганчіркою;
- ◆ регулярно очищуйте корпус двигуна вологою ганчіркою; не використовуйте абразивні очищувачі та засоби, що містять розчинники;
- ◆ регулярно очищуйте різальну волосінь і котушку м'якою щіткою або сухою ганчіркою;
- ◆ регулярно використовуйте тупий шкребок для видалення трави та бруду з-під захисного кожуха.

## Пошук та усунення несправностей

Проблема	Рішення
<b>Пристрій працює погано</b>	<p>Зніміть акумулятор з тримера.</p> <p>Перевірте, чи може корпус котушки вільно обертатися. В разі потреби обережно прочистіть його.</p> <p>Різальна волосін не повинна бути відмотана з котушки більше, ніж на 122 см. Обріжте її в раз потреби, щоб вона доходила до леза.</p>
<b>Автоматична система подачі волосіні не подає волосін</b>	<p>Подача волосіні спрацьовує, коли довжина робочого відрізка волосіні скорочується до 76 мм. Щоб визначити, працює чи ні подача волосіні, дайте волосіні зноситься до довжини, яка є меншою за вказану.</p> <p>Натисніть та утримуйте фіксатори і витягніть кришку котушки разом з котушкою з корпусу котушки в головці тримера.</p> <p>Перевірте, чи не перетинаються витки волосіні на котушці, як зображено на рис. Q. Якщо це так, змотайте волосін, та знову ретельно намотайте її.</p> <p>Перевірте доріжки в нижній частині котушки на наявність пошкоджень. Якщо наявні пошкодження, замініть котушку.</p> <p>Потягніть за різальну волосін, поки не змотаєте приблизно 122 мм з котушки. Якщо на котушці залишилось мало волосіні, встановіть нову котушку з різальною волосінню.</p> <p>Вирівняйте виступи на кришці котушки відносно вирізів в корпусі.</p> <p>Натисніть на кришку котушки, щоб вона надійно сіла на своє місце.</p> <p>Якщо різальна волосін виступає за лезо, обріжте її так, щоб вона лише доходила до нього. Якщо механізм автоматичної подачі волосіні все ще не працює або котушка не прокручується, спробуйте наступне: обережно прочистіть котушку і корпус. Переконайтесь, що ви використовуєте волосін правильного розміру та діаметру (2,00 мм) — менші та більші розміри волосіні негативно вплинуть на функціонування системи автоматичної подачі.</p>

	<p>Вийміть котушку і переконайтесь, що важіль у корпусі котушки рухається вільно.</p> <p>Вийміть котушку і розмотайте різальну волосін, а потім знову ретельно намотайте її. Встановіть котушку в корпус</p>
<b>Подача надмірної кількості волосіні</b>	<p>Переконайтесь, що ви косите кінчиком волосіні, яка виступає з корпусу на 177 мм. Якщо необхідно підтримувати відповідну відстань, застосуйте напрямну для підрізання краю газону.</p> <p>Переконайтесь, що кут нахилу не перевищує 10°, як показано на рис. G1</p>
<b>Волосін сходить з котушки, коли знімається кришка або котушка</b>	<p>Перед вийманням переконайтесь, що волосін заправлена в утримувальні річки (рис. L1)</p>

## Захист навколишнього середовища



Роздільний збір. Пристрої та батареї, позначені цим символом, не можна викидати зі звичайним побутовим сміттям.

Пристрої та батареї містять матеріали, які можна відновити та переробити, що зменшить потребу у сировині.

Будь ласка, віддавайте електричні інструменти та батареї на переробку відповідно до місцевих постанов. Більш детальну інформацію можна отримати на сайті [www.2helpU.com](http://www.2helpU.com).

## Технічні дані

		<b>ST182320</b>
<b>Вхідна напруга</b>	В постійного струму	18
<b>Швидкість без навантаження</b>	хв <sup>-1</sup>	900
<b>Маса</b>	кг	2,05

<b>Батарея</b>		<b>BL2018</b>
<b>Напруга</b>	В постійного струму	18
<b>Ємність</b>	Ампер-годин	2,0
<b>Тип</b>		Літій-іонна

<b>Зарядний пристрій</b>		<b>905902** (тип 1)</b>
<b>Вхідна напруга</b>	В змінного струму	230
<b>Вихідна напруга</b>	В постійного струму	18
<b>Струм</b>	мА	400

Середнє значення вібрації, яка передається на руки до EN50636-2-91: = < 3,6 м/с<sup>2</sup>, похибка (К) = 1,5 м/с<sup>2</sup>.

L<sub>рd</sub> (звуковий тиск) 76 дБ(А).

Похибка (К) = 2,6 дБ(А).

## Декларація про відповідність нормам ЄС

ДИРЕКТИВА ПРО ШУМИ, ЩО ВИНИКАЮТЬ ПОЗА ПРИМІЩЕННЯМИ



Акумуляторний тример з волосінню ST182320

Компанія Black & Decker заявляє, що продукти, описані в розділі «Технічні дані» відповідають: 2006/42/ЕС, EN60335-1: 2012 + A11:2014, EN50636-2-91:2014

2000/14/ЕС, тример для газонів, L ≤ 50 см, Додаток VI

DEKRA Certification B.V., Utrechtseweg 310, 6802 ED Arnhem, The Netherlands (Нідерланди)

Ідентифікаційний номер нотифікованого органу: 0344

Рівень акустичної потужності відповідно до 2000/14/ЕС (Стаття 12, Додаток III, L ≤ 50 см):

L<sub>WA</sub> (виміряна акустична потужність) 88 дБ(А)

Похибка = 2,6 дБ(А)

L<sub>WA</sub> (гарантована акустична потужність) 96 дБ(А)

Ці продукти також відповідають вимогам Директив 2014/30/EU і 2011/65/EU.

Для отримання додаткової інформації, будь ласка, зверніться до компанії Black & Decker за наведеною далі адресою або прочитайте інформацію на зворотному боці цього посібника.

Нижчепідписаний несе відповідальність за упорядкування файлу технічних характеристик та робить цю заяву від імені компанії Black & Decker.

Р. Лаверік (R. Laverick),  
технічний директор  
Black & Decker Europe, 210 Bath Road, Slough,  
Berkshire, SL1 3YD  
United Kingdom (Велика Британія)  
16.11.2016

## Гарантія

Компанія Black & Decker впевнена в якості своєї продукції та пропонує споживачам гарантію тривалістю 24 місяці з дати покупки. Ця гарантія доповнює і жодним чином не обмежує ваші законні права. Ця гарантія є чинною на території країн-членів Європейського Союзу та в європейській зоні вільної торгівлі.

Позов за гарантією повинен відповідати умовам компанії Black & Decker, при цьому вам необхідно надати доказ купівлі продавцю або спеціалісту офіційного сервісного центру. Умови 2-річної гарантії компанії Black & Decker та місцезнаходження найближчого сервісного центру можна дізнатися в інтернеті на сайті [www.2helpU.com](http://www.2helpU.com), або звернутися до місцевого представництва компанії Black & Decker за адресою, вказаною у цьому посібнику.

Будь ласка, відвідайте наш сайт

[www.blackanddecker.co.uk](http://www.blackanddecker.co.uk), щоб зареєструвати свій новий продукт Black & Decker та отримувати інформацію про нові продукти та спеціальні пропозиції.

**БЛЕК ЕНД ДЕККЕР**

гарантійні умови

Шановний покупцю!

1. Вітаємо Вас з покупкою високоякісного виробу компанії Black & Decker та висловлюємо Вам свою вдячність за Ваш вибір.
- 1.1. Надійна робота цього виробу протягом всього терміну експлуатації є предметом особливої турботи наших сервісних служб. У випадку виникнення будь-яких проблем в процесі експлуатації виробу ми рекомендуємо Вам звертатися лише до авторизованих сервісних організацій, адреси та телефони яких Ви зможете знайти в Гарантійному талоні або дізнатися в магазині. Наші сервісні центри – це не тільки кваліфікований ремонт, але й широкий вибір запчастин та аксесуарів.
- 1.2. При купівлі виробу вимагайте перевірки його комплектності та справності за Вашої присутності, наявності інструкції з експлуатації та заповненого Гарантійного талону українською мовою. За умови відсутності у Вас правильно заповненого Гарантійного талону ми будемо вимушені відхилити Ваші претензії щодо якості цього виробу.
- 1.3. Щоб уникнути всіх непорозумінь наполегливо просимо Вас перед початком роботи з виробом уважно ознайомитись з інструкцією щодо його експлуатації.
- 1.4. Звертаємо Вашу увагу на виключно побутове призначення цього виробу.
2. Правовою основою даних гарантійних умов є діюче Законодавство та, зокрема, Закон "Про захист прав споживачів".
3. Гарантійний термін на даний виріб складає 24 місяці та починається з дня продажу через роздрібну торгову мережу. У випадку усунення недоліків виробу гарантійний термін продовжується на період, протягом якого виріб не використовувався.
4. Термін служби виробу - 5 років (мінімальний, встановлений у відповідності до Закону "Про захист прав споживачів").
5. Наші гарантійні зобов'язання поширюються тільки на несправності, виявлені протягом гарантійного терміну та обумовлені виробничими та конструктивними факторами.

6. Гарантійні зобов'язання не поширюються:
  - 6.1. На несправності виробу, що виникли в результаті:
    - 6.1.1. Недотримання користувачем вказівок інструкції з експлуатації виробу.
    - 6.1.2. Механічних пошкоджень, викликаних зовнішнім ударним або іншим впливом.
    - 6.1.3. Використання виробу в професійних цілях та об'ємах, в комерційних цілях.
    - 6.1.4. Застосування виробу не за призначенням.
    - 6.1.5. Стихійного лиха.
    - 6.1.6. Неприятливому атмосферному та інших зовнішніх впливах на виріб, таких як дощ, сніг, підвищена вологість, нагрів, агресивні середовища, невідповідність параметрів електромережі параметрам, вказаним на інструменті.
    - 6.1.7. Використання аксесуарів, витратних матеріалів та запчастин, які не рекомендовані або не схвалені виробником.
    - 6.1.8. Проникнення всередину інструменту сторонніх предметів, комах, матеріалів або речовин, що не є відходами, які супроводжують використання інструменту за призначенням, наприклад, стружки, опилки та ін.
  - 6.2. На інструменти, що були відкриті, піддані ремонту або модифікації поза уповноваженим сервісним центром.
  - 6.3. На приналежності, запчастини, що вийшли з ладу внаслідок нормального зносу, та витратні матеріали, такі як, приводні ремені, вугільні щітки, ножі, та ін.
  - 6.4. На несправності, які виникли в результаті перевантаження інструменту, що призвело до виходу з ладу електродвигуна або інших вузлів та деталей. До безумовних ознак перевантаження виробу належать, зокрема: поява кольорів мінливості, деформація або оплавлення деталей та вузлів виробу, потемніння або обвуглювання ізоляції дротів електродвигуна під впливом високої температури.



Виробник:  
 "Stanley Black & Decker Deutschland  
 GmbH" Black-&-Decker Str.40, D-65510  
 Idstein, Німеччина

## АВТОРИЗОВАНІ СЕРВІСНІ ЦЕНТРИ

Україна, 04073, м. Київ,  
вул. Сирецька, 33 ш  
тел.: (044) 581 11 25

Україна, 49038, м. Дніпропетровськ,  
вул. Вокзальна, 6  
тел.: (056) 770 60 28

Україна, 83004, м. Донецьк,  
вул. Артема, 146  
тел.: (062) 381 87 22

Україна, 49008, м. Дніпропетровськ,  
вул. Криворізька, 6  
тел.: (056) 791 32 33

Україна, 76002, м. Івано-Франківськ,  
вул. Угорницькая, 10А,  
тел.: (0342) 71 75 81

Україна, 50000, м. Кривий Ріг,  
пр. Миру, 16  
тел.: (056) 404 03 45

Україна, 79020, м. Львів,  
вул. Замарстинівська, 76  
тел.: (0322) 24 72 13  
24 72 51

Україна, 79035, м. Львів,  
вул. Пасічна, 135  
тел.: (032) 245 61 77

Україна, 43024, м. Луцьк,  
пр. Соборності, 11А  
тел.: (0332) 29 97 90

Україна, 65045, м. Одеса,  
вул. Строганова, 29А  
тел.: (0482) 37 61 76

Україна, 61050, м. Харків,  
вул. Юлія Чигиріна, 13,  
тел.: (057) 731 97 22  
731 97 24

Україна, 73034, м. Херсон,  
вул. Паровозна, 7  
тел.: (0552) 39 06 90

Сервісна мережа постійно розширюється.  
Інформацію про обслуговування в інших містах Ви можете знайти відвідавши сайт  
[www.2helpu.com](http://www.2helpu.com)

---

„Исправный и полностью укомплектованный товар получил(а), с гарантийными условиями ознакомлен(а)/  
Справний та повністю укомплектований товар отримав(ла), з гарантійними зобов'язаннями ознайомлений(а)/  
Спрауны і поўнасьцю укамплектаваны тавар атрымаў(ла), з гарантійнымі умовамі азнаёмлены(а)/  
Тұзу және толық жинақталған тауар қабылдадым, кепілдік шарттарымен таныстым/  
Тузатилган ва тулик комплектли махсулотни олдим, гарантия шартлари билан танишиб чиқдим“



№ 1	№ 2	№ 3	№ 4
Order No. / Заказ № / Замовлення №	Order No. / Заказ № / Замовлення №	Order No. / Заказ № / Замовлення №	Order No. / Заказ № / Замовлення №
Date of receipt/Дата поступления/Дата прийому	Date of receipt/Дата поступления/Дата прийому	Date of receipt/Дата поступления/Дата прийому	Date of receipt/Дата поступления/Дата прийому
Date of repair/Дата выдачи/Дата выдачи	Date of repair/Дата выдачи/Дата выдачи	Date of repair/Дата выдачи/Дата выдачи	Date of repair/Дата выдачи/Дата выдачи
Stamp and signature of the service centre/ Печать и подпись сервисного центра/ Печатка та підпис сервісного центру	Stamp and signature of the service centre/ Печать и подпись сервисного центра/ Печатка та підпис сервісного центру	Stamp and signature of the service centre/ Печать и подпись сервисного центра/ Печатка та підпис сервісного центру	Stamp and signature of the service centre/ Печать и подпись сервисного центра/ Печатка та підпис сервісного центру
№ 1	№ 2	№ 3	№ 4
Order No. / Заказ № / Замовлення №	Order No. / Заказ № / Замовлення №	Order No. / Заказ № / Замовлення №	Order No. / Заказ № / Замовлення №
Date of receipt/Дата поступления/Дата прийому	Date of receipt/Дата поступления/Дата прийому	Date of receipt/Дата поступления/Дата прийому	Date of receipt/Дата поступления/Дата прийому
Stamp and signature of the service centre/ Печать и подпись сервисного центра/ Печатка та підпис сервісного центру	Stamp and signature of the service centre/ Печать и подпись сервисного центра/ Печатка та підпис сервісного центру	Stamp and signature of the service centre/ Печать и подпись сервисного центра/ Печатка та підпис сервісного центру	Stamp and signature of the service centre/ Печать и подпись сервисного центра/ Печатка та підпис сервісного центру



№ 4	№ 3	№ 2	№ 1
Заказ №/Тапсырыс №/Буюртма №	Заказ №/Тапсырыс №/Буюртма №	Заказ №/Тапсырыс №/Буюртма №	Заказ №/Тапсырыс №/Буюртма №
Дата прыемікі/Кабылдау күні/Кабул килинган куни	Дата прыемікі/Кабылдау күні/Кабул килинган куни	Дата прыемікі/Кабылдау күні/Кабул килинган куни	Дата прыемікі/Кабылдау күні/Кабул килинган куни
Дата выдачы/Беру күні/Кайтарыб берилган куни	Дата выдачы/Беру күні/Кайтарыб берилган куни	Дата выдачы/Беру күні/Кайтарыб берилган куни	Дата выдачы/Беру күні/Кайтарыб берилган куни
Пячатка і подпіс сэрвіснага цэнтра/ Сервис орталыгының мөрі мен колтанбасы/ Сервис марказининг мухр ва имзоси	Пячатка і подпіс сэрвіснага цэнтра/ Сервис орталыгының мөрі мен колтанбасы/ Сервис марказининг мухр ва имзоси	Пячатка і подпіс сэрвіснага цэнтра/ Сервис орталыгының мөрі мен колтанбасы/ Сервис марказининг мухр ва имзоси	Пячатка і подпіс сэрвіснага цэнтра/ Сервис орталыгының мөрі мен колтанбасы/ Сервис марказининг мухр ва имзоси
№ 4	№ 3	№ 2	№ 1
Заказ №/Тапсырыс №/Буюртма №	Заказ №/Тапсырыс №/Буюртма №	Заказ №/Тапсырыс №/Буюртма №	Заказ №/Тапсырыс №/Буюртма №
Дата прыемікі/Кабылдау күні/Кабул килинган куни	Дата прыемікі/Кабылдау күні/Кабул килинган куни	Дата прыемікі/Кабылдау күні/Кабул килинган куни	Дата прыемікі/Кабылдау күні/Кабул килинган куни



**GB** WARRANTY CARD

**BY** ГАРАНТИЙНЫЙ ТАЛОН

**RUS** ГАРАНТИЙНЫЙ ТАЛОН

**KZ** КЕПІЛДІК ТАЛОН

**UA** ГАРАНТІЙНИЙ ТАЛОН

**UZ** ГАРАНТИЯ ЧИПТАСИ



**GB** months

**RUS** месяца

**UA** місяці

**24**

**BY** месяцаў

**KZ** ай

**UZ** ой

<b>GB</b> Serial No	Date of sale	Setting stamp, Signature
<b>RUS</b> Серийный номер	Дата продажи	Печать и подпись торговой организации
<b>UA</b> Серійний номер	Дата продажу	Печатка та підпис торговельної організації
<b>BY</b> Серыйны нумар	Дата продажы	Пячатка і подпіс гандлёвай установы
<b>KZ</b> Сериялык номір	Сату күні	Сауда Ұйымынын морі мен колтанбасы
<b>UZ</b> Серия сони	Сотилган куни	Савдо корхонанинг мухр ва имзоси



## **ОФИЦИАЛЬНЫЙ ДИЛЕР В УКРАИНЕ:**

[storgom.ua](http://storgom.ua)

### **ГРАФИК РАБОТЫ:**

Пн. – Пт.: с 8:30 по 18:30

Сб.: с 09:00 по 16:00

Вс.: с 10:00 по 16:00

### **КОНТАКТЫ:**

+38 (044) 360-46-77

+38 (066) 77-395-77

+38 (097) 77-236-77

+38 (093) 360-46-77

Детальное описание товара:

<https://storgom.ua/product/trimmerakkumulyatornyyblackdeckerst182-3-0.html>

Другие товары: <https://storgom.ua/akkumuliatornye-trimmery.html>