

ULTRA

PROFESSIONAL MANUAL TILE CUTTER



SIDE EXTENSIONS

Very practical for cutting big size of tiles.



TRANSPORT

Very easy to carriage with all the parts closed, to reduce the overall dimensions.

Designed and made in Italy



	Art. 4600	Art. 4400
CUTTING LENGTH	600 mm.	420 mm.
MAX SIZE TILE FOR DIAGONAL CUTS	420x420 mm.	300x300 mm.
CUTTING THICKNESS	5-15 mm.	5-15 mm.
CUTTING WHEEL	Ø 15x6x1,5 mm.	Ø 15x6x1,5 mm.
PACKING DIMENSION	375x1020x178 mm.	375x1020x178 mm.
PIECES ON PALLET	30	30
PALLET DIMENSION	1000x1000x1900 mm.	1000x1000x1900 mm.
NET WEIGHT	12,5 Kg.	11,5 Kg.

BATTIPAVTM
MACCHINE PER EDILIZIA | MACHINES FOR BUILDING

Z. i. 2 - Via Cavatorta, 6/1 | 48010 Cotignola (Ra) | ITALY
Tel. +39 0545 40004 | Fax +39 0545 41724
www.battipav.com | sales@battipav.com

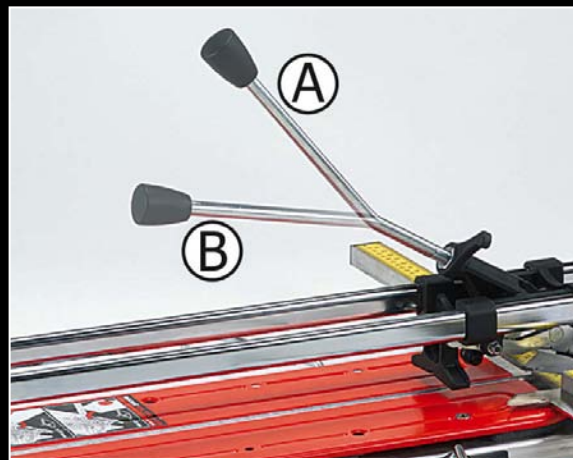
AUTHORIZED DEALER:



APPLICATION

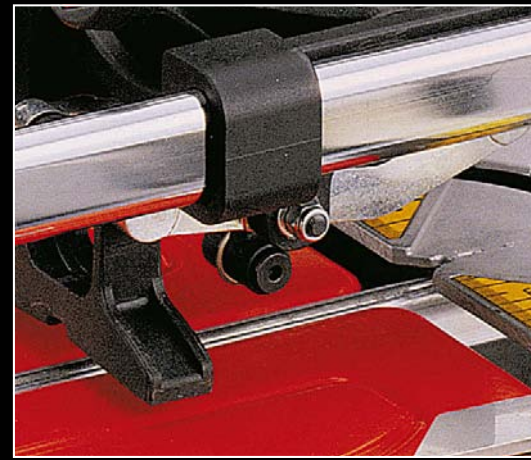
Built to cut single-doublefired ceramic and porcelain stoneware tiles

July 2012



To optimize the cutting and breaking phase, turn and lock the handling lever into the "A" or "B" position, according to the tiles' thickness as following:

- (A) thickness from 5 mm to 10 mm
- (B) thickness from 10 mm to 15 mm

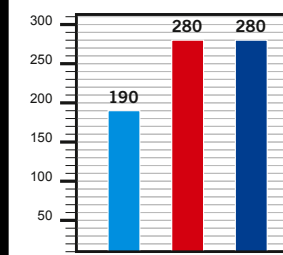


CARRIAGE

The carriage is equipped with a system of compounds levers that allow to break the tiles in every point and reducing the effort.

IXEF®

CARICO DI ROTTURA (N/mm²)
BREAKING LOAD (N/mm²)



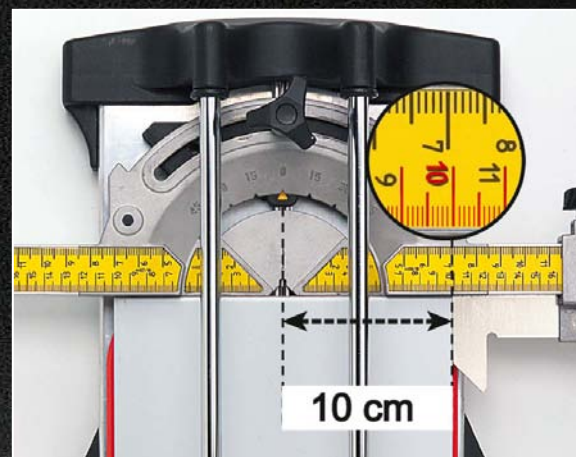
■ PA 6.6 (Nylon) + FG 30%
 ■ IXEF 1032
 ■ LEGA DI ALLUMINIO EN-AB 46100
 ALUMINIUM ALLOY EN-AB 46100

IXEF PARTS:

5.000.000 of cycle guaranteed without consumption.

-NO LUBRIFICATION (The combination of IXEF with CHROME assures no friction at all).

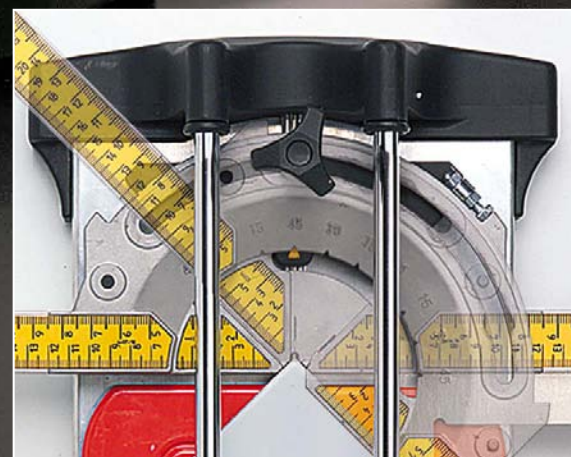
-NO MAINTENANCE (Chrome bars are very resistance)



STRAIGHT CUTS

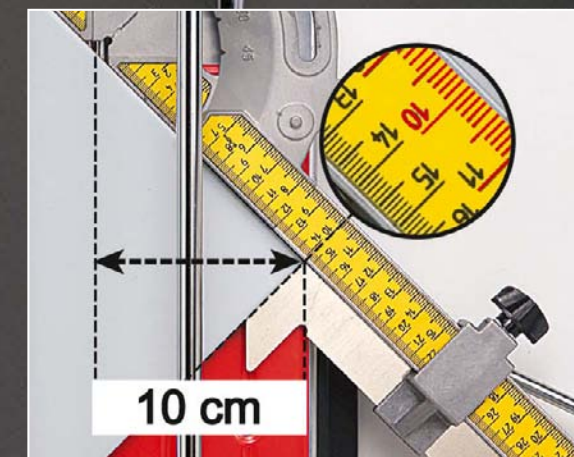
Goniometric square in "90°" position for a direct reading of the measurement for straight cuts.

10 cm



GONIOMETRIC SQUARE

It can be rotated in all the direction: from -45° to 0 to +45°. Provided with double metric scale for the direct reading of the measurement of straight and diagonal cuts.



10 cm

DIAGONAL CUTS

Goniometric square in "45°" position for a direct reading of the measurement for diagonal cuts.

ОФИЦИАЛЬНЫЙ ДИЛЕР В УКРАИНЕ:

storgom.ua

ГРАФИК РАБОТЫ:

Пн. – Пт.: с 8:30 по 18:30

Сб.: с 09:00 по 16:00

Вс.: с 10:00 по 16:00

КОНТАКТЫ:

+38 (044) 360-46-77

+38 (066) 77-395-77

+38 (097) 77-236-77

+38 (093) 360-46-77

Детальное описание товара: <https://storgom.ua/product/plitkorez-ruchnoi-nuova-battipav-ultra-60.html>

Другие товары: <https://storgom.ua/ruchnye-plitkorezy.html>