



MASALTA®

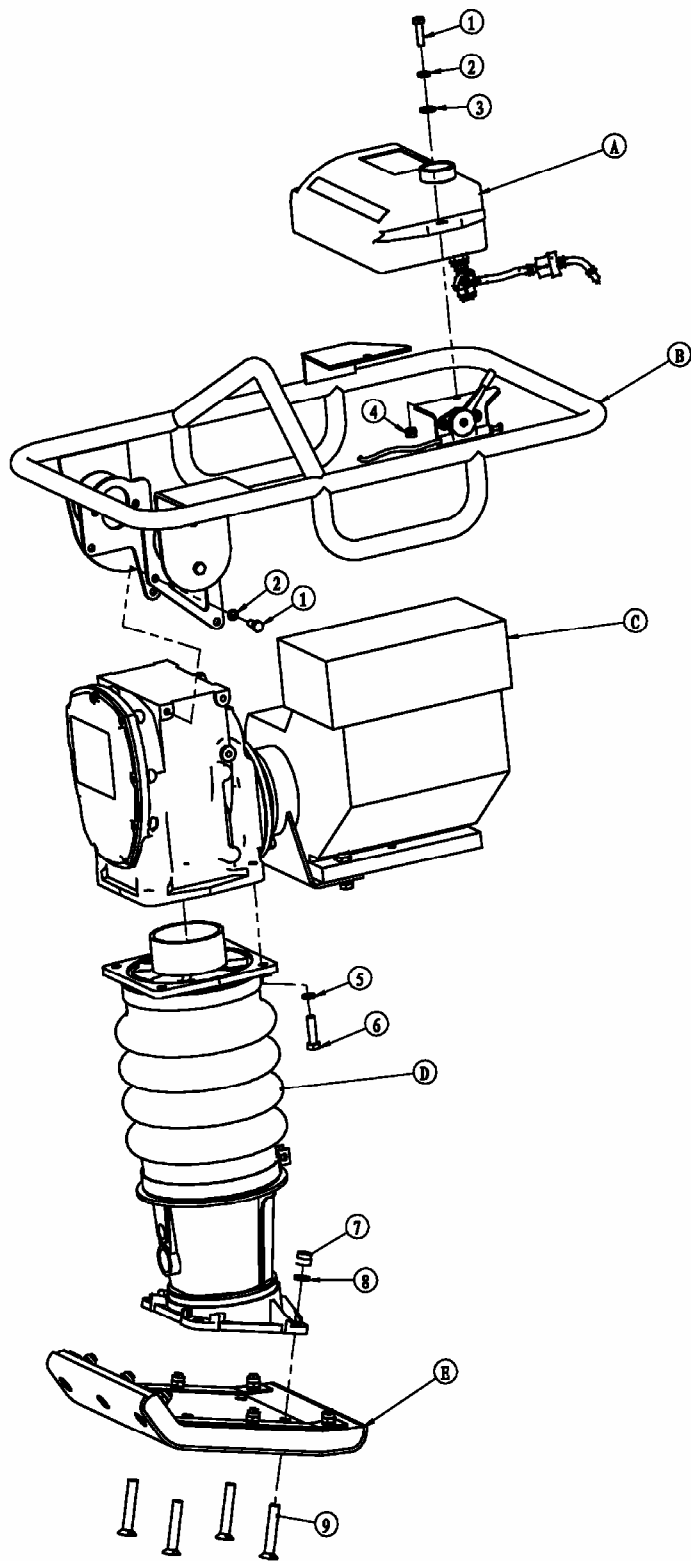


PARTS LIST

TAMPING RAMMER

EMR70H

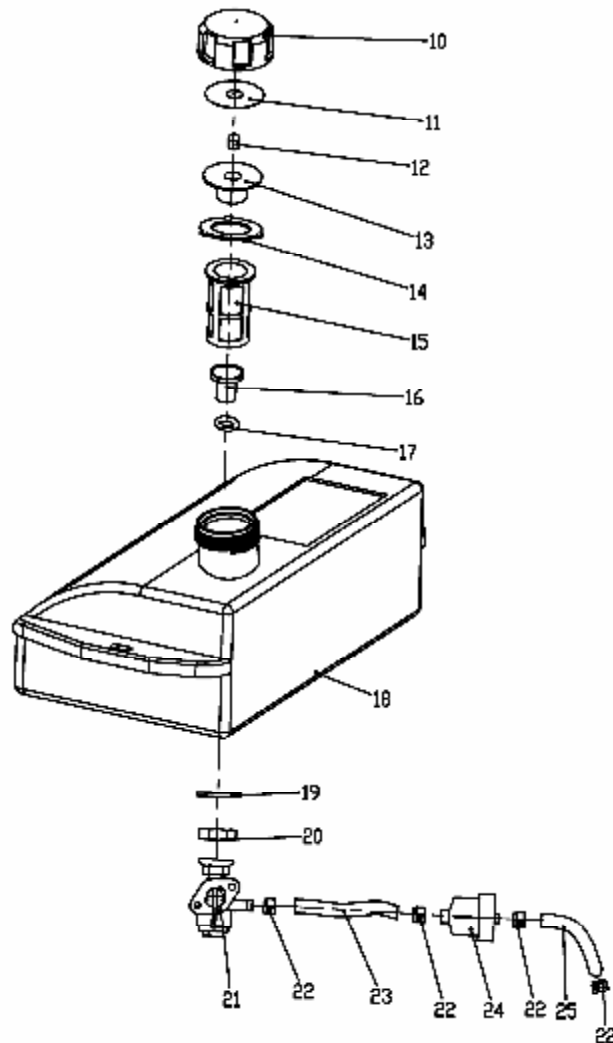




EMR70H PARTS LIST

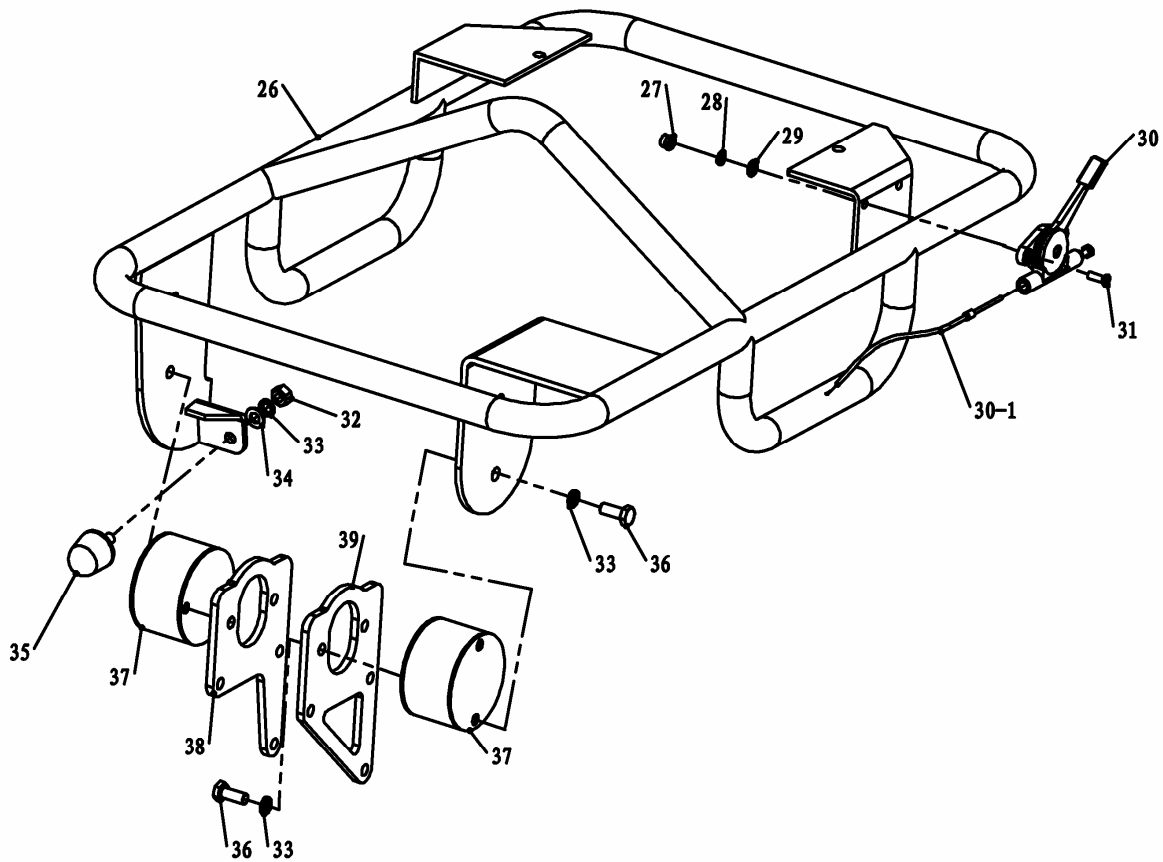
EMR70H PARTS LIST

ITEM NO.	PART NO.	DESCRIPTION	QTY	REMARK
A	EMR70.8000	FUEL TANK ASSY.	1	
B	EMR70.6000	HANDLE ASSY.	1	
C	EMR70.4000	GEARBOX ASSY.	1	
D	MRS80-803000	GUIDE	1	
E	EMR70.2000	FOOT ASSY.	1	
1	GB5783-M8×30	SOCKET HEAD SCREW M8X30	8	
2	GB93-8	SPRING WASHER	8	
3	GB97.1-8	FLAT WASHER	2	
4	GB6170-M8	NUT M8	2	
5	GB93-10	SPRING WASHER	4	
6	GB5783-M10×35	HEX HEAD SCREW M10X35	4	
7	GB889-M12	LOCK NUT M12	4	
8	GB93-12	SPRING WASHER	4	
9	MRS80-802004-70	SCREW M12X70	4	



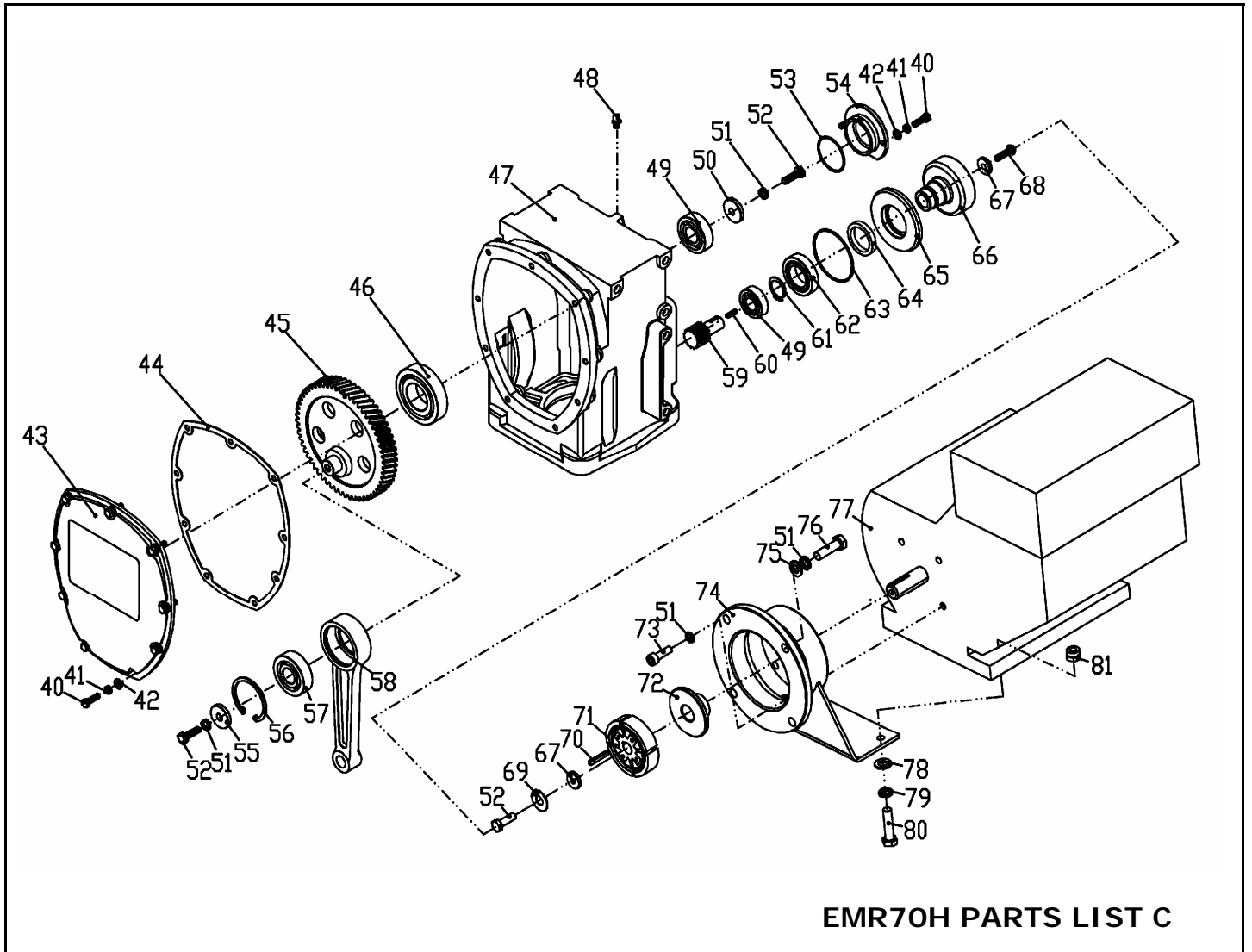
EMR70H PARTS LIST A

ITEM NO.	PART NO.	DESCRIPTION	QTY	REMARK
10	MRS80-801002	CAP, FUEL TANK	1	
11	MRS80-801003	PACKING, FUEL TANK	1	
12	MRS80-801010	AIR FILTER	1	
13	MRS80-801004	HOLDER, FUEL TANK	1	
14	MRS80-801005	PACKING, FUEL TANK	1	
15	MRS80-801007	OIL STRAINER	1	
16	MRS80-801006	CONNECTOR	1	
17	GB3452.1-14×3.55	O-RING	1	
18	MRS80-801001	FUEL TANK	1	
19	GB97.1-14	FLAT WASHER	1	
20	GB6173-M14×1.5	HEX HEAD SCREW M14X1.5	1	
21	MRS80-801005	COCK, FUEL TANK	1	
22	Q673B-Φ9	HOSE CLAMP	4	
23	MRS80-801011A	FUEL HOSE	1	
24	MRS80-801009	FUEL FILTER	1	
25	MRS80-801011B	FUEL HOSE	1	



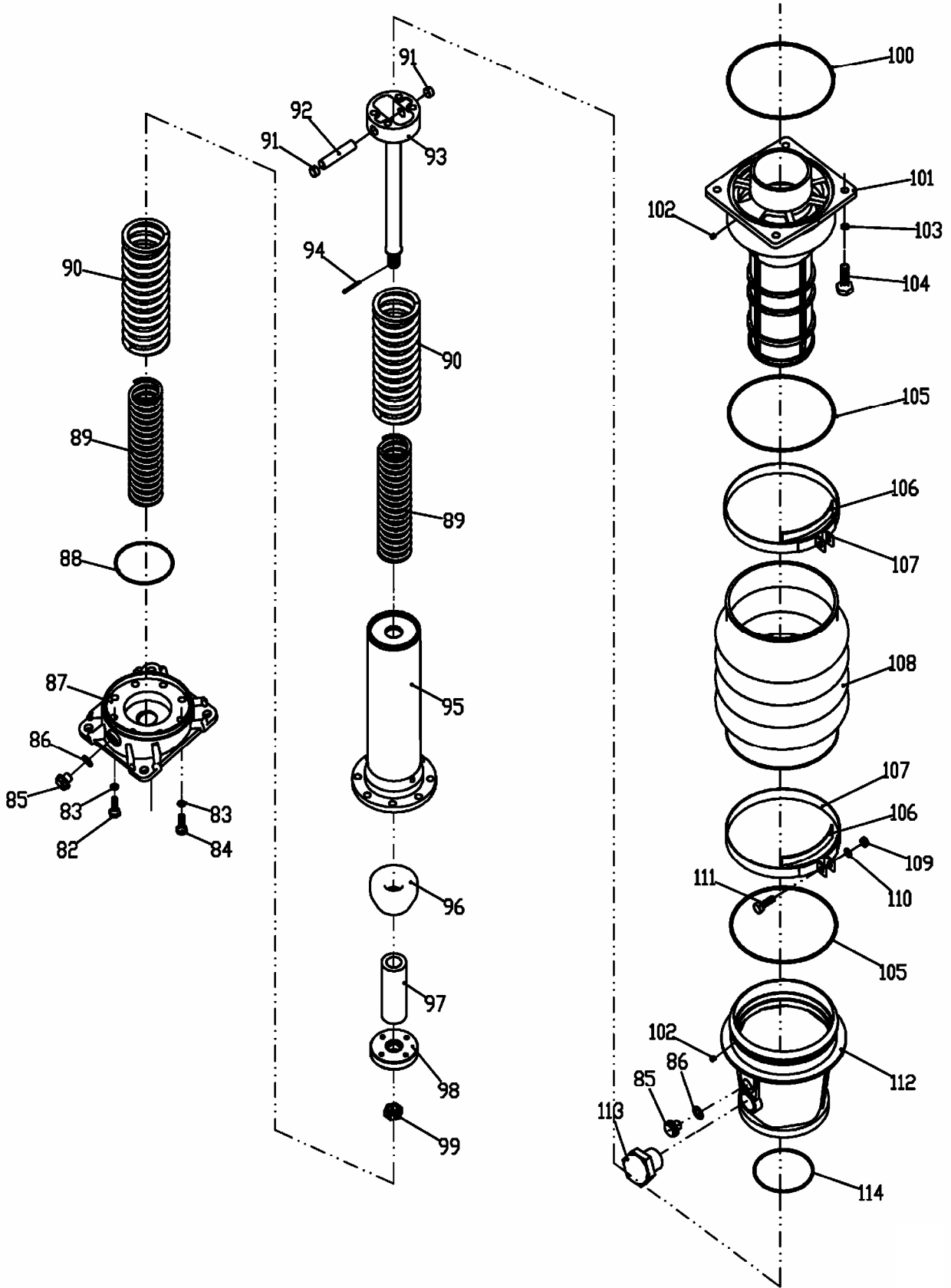
EMR70H PARTS LIST B

ITEM NO.	PART NO.	DESCRIPTION	QTY	REMARK
26	EMR70.5000	HANDLE	1	
27	GB6170-M6	NUT M6	2	
28	GB93-6	SPRING WASHER 6	2	
29	GB97.1-6	FLAT WASHER 6	2	
30	EMR70-9910	THROTTLE LEVER	1	
30-1	EMR70-9910-1	THROTTLE CABLE		
31	GB276-M6X15	HEX HEAD SCREW M6X15	2	
32	GB6170-M8	NUT M8	1	
33	GB93-8	SPRING WASHER 8	9	
34	GB97.1-8	FLAT WASHER 8	1	
35	MRS80-805004	RUBBER	1	
36	GB5783-M8×20	SOCKET HEAD SCREW M8X20	8	
37	MRS62-6000	VIBRATION DAMPER	2	
38	MRS62-5003R	PROTECTIVE FRAME, RIGHT	1	
39	MRS62-5003L	PROTECTIVE FRAME, LEFT	1	



EMR70H PARTS LIST C

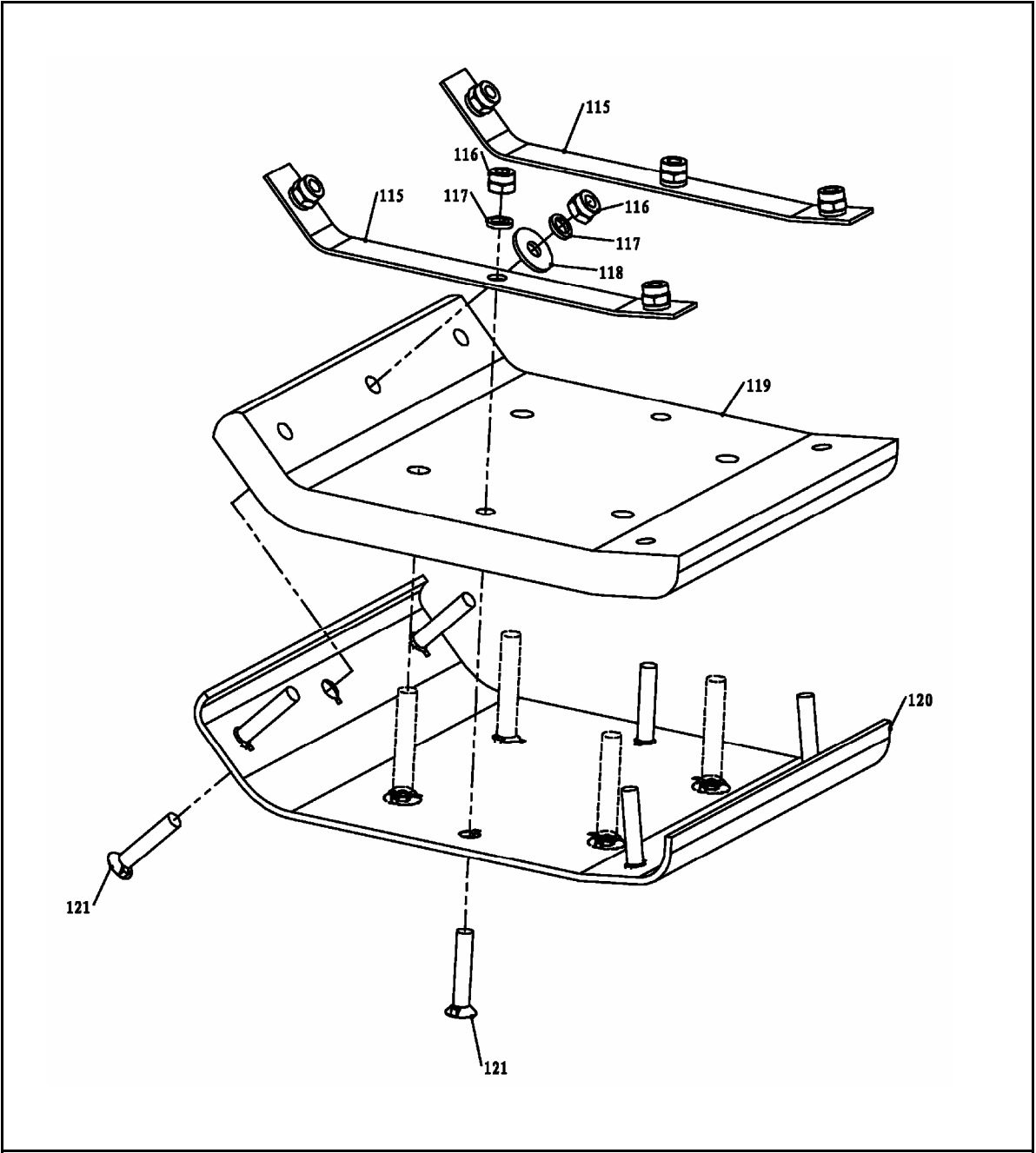
ITEM NO.	PART NO.	DESCRIPTION	QTY	REMARK
40	GB5783-M6×20	SOCKET HEAD SCREW M6X20	11	
41	GB93-6	SPRING WASHER 6	11	
42	GB97.1-6	FLAT WASHER 6	11	
43	MRS62-4002A	CRANK CASE COVER	1	
44	MRS62-4003	GASKET	1	
45	MRS80-804101C	CRANK GEAR	1	
46	60CLX-ZC-2	BEARING	1	
47	EMR70-4001	CRANK CASE	1	
48	GB1152-M6	NUT M6	1	
49	60CLX-ZC-1	BEARING	2	
50	MRS80-804102	GASKET	1	
51	GB93-8	SPRING WASHER 8	10	
52	GB5783-M8×25	SOCKET HEAD SCREW M8X25	3	
53	60CLX-OXQ-1	O-RING	1	
54	MRS80-804404A	BEARING COVER	1	
55	MRS80-804302	WASHER	1	
56	GB893.1-52	RETAINING RING 52	1	
57	60CLX-ZC-3	BEARING	1	
58	MRS80-804301B	CONNECTING ROD	1	
59	MRS80-804201C	GEAR SHAFT	1	
60	GB1095-6×20	KEY	1	
61	GB894.1-35	RETAINING RING 35	1	
62	60CLX-ZC-4	BEARING	1	
63	60CLX-OXQ-2	O-RING	1	
64	60CLX-CXMFO	GASKET	1	
65	EMR70.8000	SPACER	1	
66	MRS80-807000b	CLUTCH DRUM	1	
67	MRS80-804202	SPACER	2	
68	GB5783-M8×30	SOCKET HEAD SCREW M8X30	1	
69	MRS80-809006	WASHER	1	
70	GB1095-5X25	KEY	1	
71	EMR70.9000	CLUTCH ASSY.	1	
72	EMR70.0002	BEARING COVER	1	
73	GB70.1-M8×25	HEX HEAD SCREW M8X25	4	
74	EMR70.0005	FLANGE	1	
75	GB97.1-8	FLAT WASHER	4	
76	GB5783-M8×40	SOCKET HEAD SCREW M8X40	4	
77	HONDA GX160 SD2	ENGINE	2	
78	GB97.1-10	FLAT WASHER	2	
79	GB93-10	SPRING WASHER 10	2	
80	GB5783-M10×40	SOCKET HEAD SCREW M10X40	2	
81	GB889-M10	LOCK NUT M10	2	



EMR70H PARTS LIST D

EMR70H PARTS LIST D

ITEM NO.	PART NO.	DESCRIPTION	QTY	REMARK
82	GB70-M10×20	HEX HEAD SCREW M10X20	4	
83	GB93-10	SPRING WASHER 10	8	
84	GB70-M10×40	HEX HEAD SCREW M10X40	4	
85	JB/ZQ4450-M14×1.5	PLUG THREADED	2	
86	MRS80-803112	GASKET	4	
87	MRS80-803101B	FOOT PLATE	1	
88	GB3452.1-87.5×3.55	O-RING	1	
89	MRS80-803002B	SPRING, INNER	2	
90	MRS80-803001B	SPRING, OUTER	2	
91	MRS80-803306	PLUG	2	
92	MRS80-803302	PISTON PIN	1	
93	MRS80-803301B	PISTON ROD	1	
94	GB/T91-3.2×32	PIN	1	
95	MRS80-803102A	SPRING CYLINDER	1	
96	MRS80-803304	STOPPER, UPPER	1	
97	MRS80-803305	STOPPER, LOWER	1	
98	MRS80-803303	PISTON END	1	
99	GB/T6178-M18×1.5	SCREW M8X1.5	1	
100	GB3452.1-160×5.3	O-RING	1	
101	MRS80-803201A	GUIDE CYLINDER	1	
102	MRS80-803202	PIN	2	
103	GB93-10	SPRING WASHER 10	4	
104	GB5783-M10X35	SCREW M10X35	4	
105	GB3452.1-160×3.55	O-RING	1	
106	MRS80-803205	SPACER	2	
107	MRS80-803204	BELLOW CLAMP	2	
108	MRS80-803203	BELLOW	1	
109	GB/T6170-M8	NUT M8	2	
110	GB97.1-8	FLAT WASHER	2	
111	T5783-M8X35	SCREW M8X35	2	
112	MRS80-803111B	SPRING CYLINDER	1	
113	GB1160.2-M24×1.5	OIL LEVER GAUGE	1	
114	GB3452.1-95×2.65	O-RING	1	



EMR70H PARTS LIST E

ITEM NO.	PART NO.	DESCRIPTION	QTY	REMARK
115	EMR70.2003	FOOT COVER	2	
116	GB889-M10	LOCK NUT M10	7	
117	GB93-10	SPRING WASHER 10	7	
118	GB96.1-10	FLAT WASHER	1	
119	MRS80-802002	FOOT	1	
120	MRS80-802001	METAL SHEET	1	
121	MRS80-802005	SCREW M10X52	7	



Distributed By



MASALTA ENGINEERING CO., LTD

Add: Weisi Road, Baohe Industrial Estate, Hefei, China

Tel: 86-551-4846600, 4846601 Fax: 86-551-4846616

E-mail: sales@masalta.com.cn, masalta@mail.hf.ah.cn,

<http://www.masalta.com.cn>