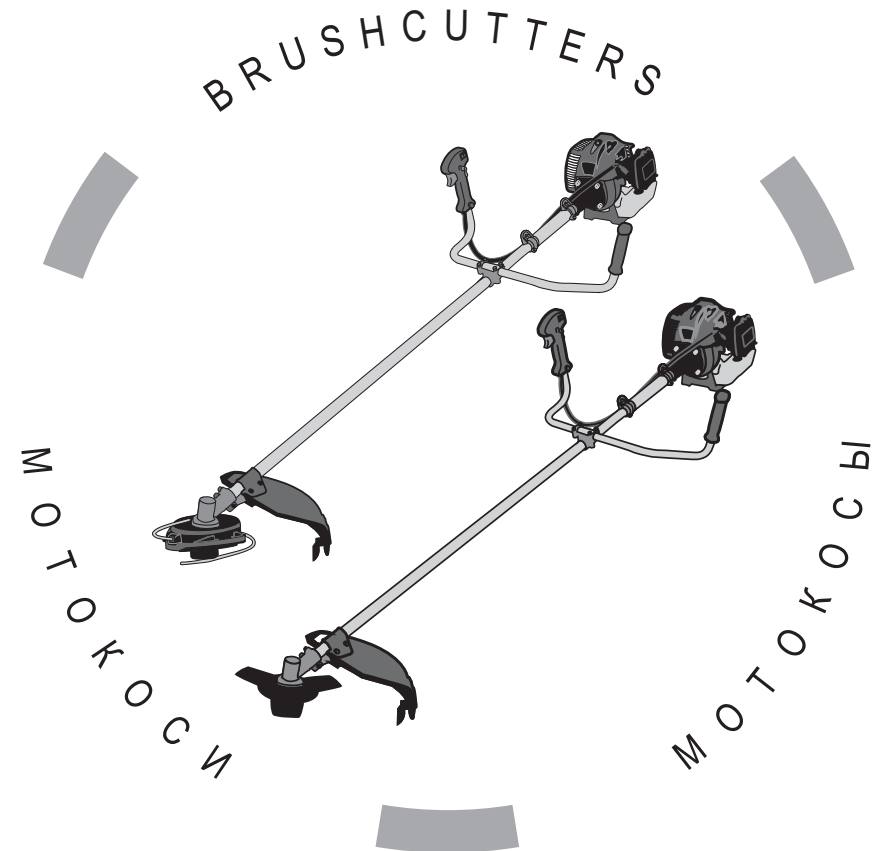


# VITALS

MANUAL FOR TECHNICAL USE  
КЕРІВНИЦТВО З ЕКСПЛУАТАЦІЇ  
РУКОВОДСТВО ПО ЭКСПЛУАТАЦИИ



WWW.VITALS.COM.UA



MODELS	МОДЕЛІ	МОДЕЛИ
	БК 4314o	БК 4919o

## CONTENTS

1. General description	6
2. Delivery keep	10
3. Specifications	11
4. Safety	12
4.1. Important safety information	12
4.2. Safety operation	12
5. Operation	17
5.1. Getting started	17
5.2. Work	27
6. Maintenance	31
7. Handling and storage	39
8. Troubleshooting and their solution	41
9. Warranty	43

## ENGLISH

## ЗМІСТ

1. Загальний опис	48
2. Комплект поставки	52
3. Технічні характеристики	53
4. Вимоги безпеки	54
4.1. Важлива інформація щодо безпеки	54
4.2. Безпека експлуатації	54
5. Експлуатація	59
5.1. Підготовка до роботи	59
5.2. Робота	69
6. Технічне обслуговування	73
7. Транспортування та зберігання	81
8. Можливі несправності та шляхи їх усунення	83
9. Гарантійні зобов'язання	85

## УКРАЇНСЬКА

## СОДЕРЖАНИЕ

1. Общее описание	90
2. Комплект поставки	94
3. Технические характеристики	95
4. Требования безопасности	96
4.1. Важная информация по безопасности	96
4.2. Безопасность эксплуатации	96
5. Эксплуатация	101
5.1. Подготовка к работе	101
5.2. Работа	112
6. Техническое обслуживание	116
7. Транспортировка и хранение	124
8. Возможные неисправности и пути их устранения	126
9. Гарантийные обязательства	128

## РУССКИЙ

## DEAR BUYER!

Thank you for purchasing brushcutter TM "Vitals".

The TM technique "Vitals" developed by the European quality standards and using the latest technologies.

Improper use brushcutter and unsafe practices that may result in damage or serious injury!

This manual contains all the necessary information on safety and handling trimmers. Carefully read the manual before using the product.

Please provide the other users of this manual, before they start work brushcutters. This manual must be stored for later use.

We are constantly working to improve its products and, therefore, reserve the right to make changes in the appearance, equipment and production technology, without changing the basic principles of management, without notice to the consumer. All possible changes will be direct at improving and upgrading the product.

## KEY WORDS MEANING



### WARNING!

Means potentially dangerous situations, which are to be avoided, otherwise can appear a danger for health or life.



### ATTENTION!

Indicates a potentially hazardous situation that may result in minor injury or damage to the product.



### NOTE!

Marks important additional information.

Brushcutters «Vitals» **BK 4314o** and **BK 4919o** are hand, motorized products with top internal combustion engine. These products have a contemporary design, economical, reliable in operation, easy to use and maintain.

Brushcutters «Vitals» BK 4314o and BK 4919o designed for cutting grass in small areas in unsuitable for efficient mower places (around trees, bushes, fences, poles), or on the ground, having a rugged terrain with slopes, as well as for cutting the weed, reeds and shrubs, with a trunk diameter less than 20 mm.

By design, brushcutters are simple, classic mechanisms (power unit, shaft, bevel gear, shaft mounted with a knife or a spool of fishing line). The principle of action of the product is very simple: the rotational motion of the internal combustion engine shall be made on the shaft. Bevel gear performs mechanical transmission of torque from the shaft to the spindle, which is fixed knife or spool of fishing line.

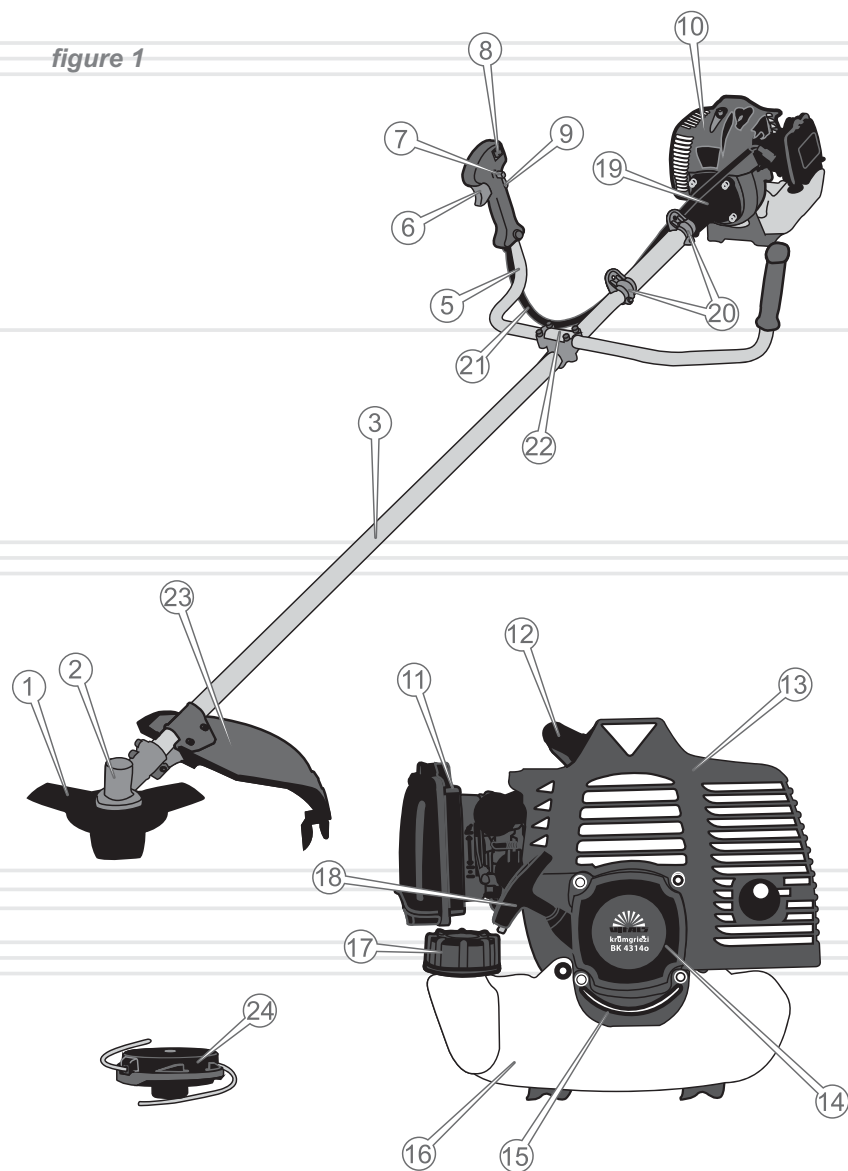
- Metal protection of the fuel tank.
- Ergonomic backpack vest.
- Large plastic protective cover with a knife.
- Spool of cutting line and a three-lobed blade attached.

Description of the main components brushcutter presented below.

#### **Distinctive features of brushcutters «Vitals»:**

- Chrome-plated cylinder. Long life cylinder is achieved by increasing the wear resistance of the friction pair of cylinder - piston rings.
- Low vibration level.
- Reinforced recoil starter (with two molded teeth).
- Fuel pump "primer" (to facilitate starting the engine trimmers), which is provided by pre-priming. With this engine, start is much faster.
- Comfortable handle.
- Ergonomic handle split, consisting of two parts, allowing the adjustment of one part independently.
- One-piece metal shaft.

figure 1



1. The knife
2. The bevel gear
3. Rod
4. The left arm
5. The right-hand grip
6. The throttle
7. The lock lever throttle button
8. The ignition switch
9. The key that protects against accidental pressing the throttle lever
10. Air Filter Cover
11. The carburettor choke
12. The spark plug cap
13. The muffler cover
14. The starter cover
15. Metal protection of the fuel tank
16. The fuel tank
17. The fuel tank plug
18. Starter handle
19. Docking station with a centrifugal clutch
20. Catches backpack vest
21. Corrugated pipe with throttle control cable and power cord
22. Bracket
23. Guard with fixed cutting blade
24. Spool

## 2

## DELIVERY KEEP

1. Brushcutter (power unit, a bar with a docking station and a conical reducer)
2. Separate handle
3. Capacity for cooking fuel mixture
4. 17h19 mm plug wrench
5. Key 8x10 mm
6. 4 mm allen key
7. 5 mm allen key
8. Set of mounting screws
9. Backpack vest
10. Screwdriver
11. Spool of cutting line
12. Three-lobed knife
13. Funnel
14. Mesh filter for refueling
15. Protective shroud
16. Shaft with a bevel gear and a docking station
17. The fixed blade knife
18. Instruction manual
19. Packaging

ENGLISH

**NOTE!**

The manufacturer reserves the right to make the look, design and delivery motokosy minor changes that do not affect product performance.

10

## 3

## SPECIFICATIONS

MODEL	BK 4314o	BK 4919o
Engine Type	air-cooled two-stroke gasoline	
Type of fuel	mixture of gasoline with two-stroke oil 25:1	
Capacity, cc.	42,7	49,0
Power, kW / hp.	1,4 / 1,9	1,85/2,5
The maximum frequency, rev / min	9500	
Fuel tank capacity, l	1,25	
Line cutting diameter, mm	430	
Knife cutting diameter, mm	255	
Line diameter, mm	2,4	
Dimensions (LxWxH), mm	30x27x30 / 165x11x11	
Net Weight, kg	9,0	
Gross Weight, kg	9,5	

ENGLISH

11

#### 4.1. IMPORTANT SAFETY INFORMATION

Before you begin, please read brushcutter safety regulations and warnings given in this manual.

Most injuries during the operation of the product is the result of non-compliance with the provisions of the basic safety rules. Injuries can be avoided if strict safety precautions in advance and provide a potential danger.

Do not use a product in a manner or for purposes not specified in this manual under any circumstances.

Improper handling or operation of an untrained person can cause an accident.



#### CAUTION!

Do not let unprepared people to work with the product.

#### 4.2. SAFETY OPERATION

1. DO NOT ALLOW CHILDREN AND PERSONS WITH DISABILITIES TO USE THE PRODUCT.
2. DO NOT TRUST BRUSHCUTTER YOUNG PEOPLE UNDER 18 YEARS, EXCEPT FOR OVER 16 YEARS OF STUDYING THE WORK TRIMMERS UNDER CLOSE SUPERVISION OF AN INSTRUCTOR.
3. BE FULLY CONCENTRATE ON WORK.  
Do not get distracted while working brushcutter, as this could cause loss of control and cause injury of varying severity.

4. DO NOT START AND USE THE PRODUCT IN CASE OF ILLNESS, IN THE STATE OF FATIGUE, DRUGS OR ALCOHOL, OR UNDER THE INFLUENCE OF DRUGS, REDUCES THE RATE OF REACTION AND ATTENTION.
5. LOOK AFTER ENTIRETY AND CORRECT FUNCTION TO THE PRODUCT.  
Before you start, check that all knife trimmers or spool of fishing line, a protective cover, ignition switch, muffler and key lock lever throttle. Do not start and use the product in the presence of damage to the insecure parts and components.  
All components of the envisaged design and safety elements must be in regular places.
6. WEAR PROPER CLOTHING AND SHOES AT OPERATION.  
Under operation, wear tight clothes and fasten all the buttons. Wear safety boots or sturdy closed-toe shoes with non-slip soles. Always wear face and eye protection (vented mask, glasses) and hearing (headphones, earplugs). To protect your hands, use heavy gloves or mittens. Always wear a hat.
7. DO NOT WORK WITHOUT PRIOR TRAINING.
8. CHECK THE TERRITORY YOU PLAN TO WORK FOR THE PRESENCE OF FOREIGN OBJECTS: STONE, METAL, GLASS, PLASTIC AND WOODEN OBJECTS.
9. NEVER ALLOW OUTMEN AND ANIMALS TO BE AT WORK PLACE (WITHIN 16 YARDS).

10. IT IS NOT EXPOSED TO SPILE FUEL AND OIL ON THE GROUND AND FRAINGE WHILE FELLING BRUSHCUTTER AND OPERATING WITH IT.

After refueling, tighten the fuel tank, check for leaks. In the case of fuel leakage, eliminate disadvantage to start the engine, as this may cause a fire. If fuel is spill on the product, wipe it dry.

11. DO NOT REFILL THE FUEL IF THE ENGINE IS STARTED.  
Take great care when handling fuel, gasoline fumes are dangerous to health. Remember that careless handling of gasoline could cause a fire. Do not refuel in a room.
12. DO NOT OPERATE IN CLOSE PROXIMITY (LESS THAN 15 M) ON THE LOCATION OF HIGHLY FLAMMABLE MATERIALS.
13. DRAIN OUT THE FUEL AFTER USING.
14. BEFORE STARTING MAKE SURE THAT THE KNIFE OR LINE SPOOL IS FREE TO ROTATE AND IS NOT IN CONTACT WITH OTHER OBJECTS.
15. DO NOT OPERATE BRUSHCUTTER IN RAIN AND SNOW, STRONG WIND, IN LOW VISIBILITY CONDITIONS.  
Do not wash the product and do not pour water on it. If brushcutter somehow gets wet, dry the body. If water gets inside the casing, turn off the product. Do not attempt to open the product - contact the service center.
16. DO NOT TOUCH THE ROTATING PARTS OF THE PRODUCT.  
Do not put your hands, fingers and other body parts into moving parts of brushcutters.
17. DURING WORK HOLD TRIMMERS HARD BY BOTH HANDS. DO NOT MOWE, KEEPING THE PRODUCT WITH ONE HAND.

18. IMMEDIATLY STOP THE ENGINE AND CHECK KNIFE FOR OCCURRENCE OF DAMAGES IF IT RUN INTO WITN STONE, METALL ETC. WHILE OPERATING.

19. WHEN REPLACING THE BLADE, LINES OR CLEANING GRASS CLIPPINGS, BE SURE THAT THE ENGINE IS STOPPED.
20. DO NOT OPERATE TRIMMERS WITH A BLUNT KNIFE AND DEFECTIVE SPOOLS OF CUTTING LINE, SINCE IT INCREASES THE LIKELIHOOD OF INJURY.  
Take care of the knife and the spool. Do not install on a damaged knife or a spool. Do not use reinforced twine, metal wire, electric wire, rope or cutting line instead of the needle, as well as knives not factory manufacture.
21. DO NOT ALLOW ENGINE TO BE OVERDRIVEN, ALTERNATING WORK AND REST.
22. DO NOT LEAVE PRODUCT TURNED ON WITHOUT UNNATTENDED.
23. CLEANING THE SURFACE BRUSHCUTTERS FROM DUST AND DIRT IMMEDIATELY AFTER WORK.
24. MAINTENANCE AND STORAGE TRIMMERS MADE ONLY PURSUANT TO THE REQUIREMENTS OF THIS OPERATION MANUAL.
25. DO NOT PERCHASE THE PRODUCT OTHER THAN INTENDED.
26. UNAUTHORIZED REPAIRS ARE NOT CARRIER OUT, OPENING OF COMPONENTS OR ATTEMPT TO UPGRADE THE PRODUCT.
27. DO NOT OPERATE THE BRUSHCUTTER WITH UNBALANCED KNIFE AND SPOOL, BECAUSE IT WOULD CAUSE INCREASED VIBRATION AND POSSIBILITY OF BRUSHCUTTER DAMAGE.



**WARNING!**

Follow the serviceability of the product. In case of failure, the emergence of a strong knock, noise, sparks and flame, immediately turn off the product and contact the service center.

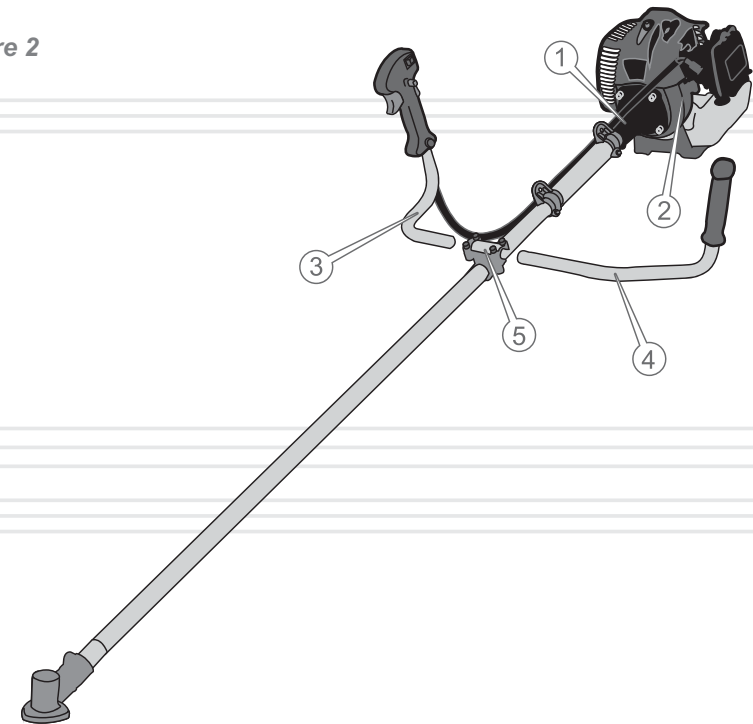
**NOTE!**

This guidance does not take into account all the cases that may occur in actual brushcutters use. Therefore, when working with the product and use common sense, keep the utmost care and attention.

**5.1.GETTING STARTED****Connecting rod to the power unit**

1. Carefully remove the bar with docking station and the bevel gearbox and complete accessories from the packaging powertrain.
2. Inspect brushcutters for integrity, good order and smooth running of the product moving parts.
3. Install the power unit on a clean, flat surface.
4. Carefully connect the connecting rod assembly (1) to the power unit (2) and securely tighten the four screws from the accessory kit, using the 5mm allen key (see figure 2).
5. Make sure in a stable the mounting of rod.

*figure 2*

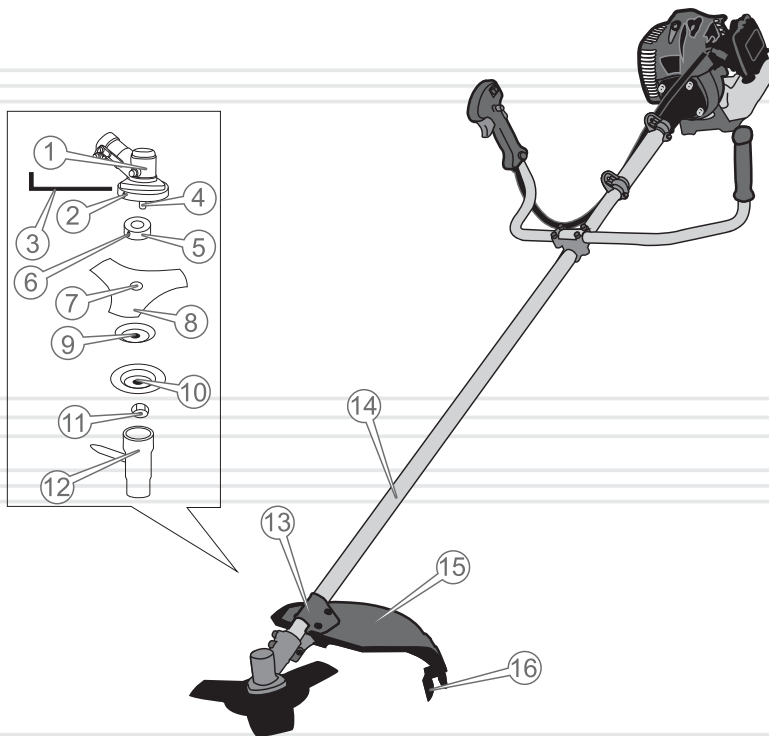


### Arms connecting

1. Loosen four screws securing the bracket (5) using a 4 mm allen key, in such a way that the handle (3, 4) could free enter into the bracket holes (see figure 2).
2. Insert the right (3) and left (4) handle until hard stop. Place the handle in such a position as to ensure in a maximum comfort using scythes.
3. Firmly tighten the four screws securing the bracket for the end of handle rotation.
4. Check the reliability and convenience of arms mounting.

### Connecting the guard and the immovable cutter blade

figure 3



18

1. Install immovable cutting blade (16) on the guard (15) and securely tighten using screw from the accessory kit. (see figure 3).
2. Remove the four screws lock to the guard (13), located on the rod (14).
3. Screw the protective cover (15) to the retainer (13) and tighten the four screws from the accessory kit with the key 8 mm and 4 mm allen key.



### WARNING!

There are two provisions of a protective casing. When working with trimmers set knife, blade guard position close to the bevel gears. When working with scythes mounted on her spool of fishing line, slide the protective cover up the rod from the bevel gear.

4. Ensure that the fixation of the guard at the bar is stable.

### Knife connecting

1. Slide a spindle (4) of a bevel gear (1) with a splined drive washer seat step (5) so that the retaining hole (2) coincided with the bevel gear retaining hole (6) splined drive ring (see figure 3).
2. Insert the allen key (3) to the lock hole (2) of bevel gear (1) to spindle (4) could not rotate.
3. Slide the spindle (4), blade (8) so that the landing step splined drive ring (5) joined bore blade (7).



### CAUTION!

Do not install trimmers blades are factory-built, with a smaller or larger bore.

4. Attach the spindle (4), Belleville washer (9), Belleville protective cover (10), and securely tighten the lock nut (11) with a 19 mm wrench (12).



### NOTE!

Locking nut is left hand thread.

19

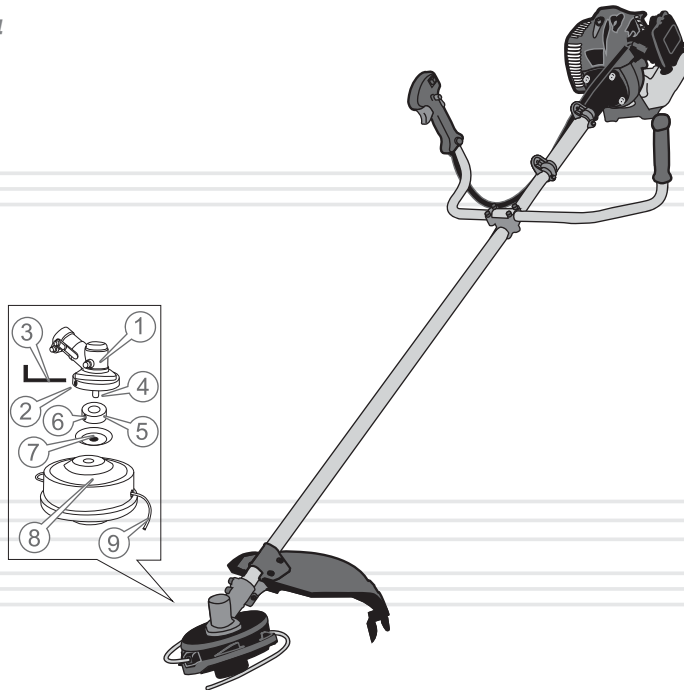
5. Remove the allen key (3) from the locking screw (2) of bevel gear (1).
6. Ensure in accuracy and reliability of the knife planting.

**WARNING!**

To avoid injury when installing and removing the knife wear protective mittens or gloves made of durable material.

**Connecting a spool of cutting line**

figure 4

**WARNING!**

Before installing the bobbin, make sure that it is enough cutting (9) line in it.  
 Maximum capacity of the coil is about 6 m of cutting line with diameter of 2.4 mm.  
 The length of fishing line out of the spool should be 15-17 cm.



1. Slide a spindle (4) of a bevel gear (1) with a splined drive washer seat step (5) so that the retaining hole (2) coincided with the bevel gear retaining hole (6) splined drive ring (see figure 3).
2. Insert the allen key (3) to the lock hole (2) of bevel gear (1) to spindle (4) could not rotate.
3. Attach the Belleville washer on (7) the spindle (4), .
4. Screw a spool (8) of fishing line (9) on the spindle (4) by hand.

**NOTE!**

The spool has a left hand thread.

5. Remove the Allen key (3) of the locking screw (2) bevel gear (1).
6. Ensure the accuracy and reliability of the plant spool of fishing line

**The backpack vest adjust**

For safety and easy operation with brushcutter it is very important to adjust the man-pack vest so that the brushcutter is properly balanced in position

**NOTE!**

When landing backpack vest is properly balanced you can work for a long time without fatigue.

1. Put the man-pack vest over his shoulders and fasten the seat belt.
2. Fasten your man-pack vest carabineer to latch (20) (two car are specified in a product design), (see figure 1).
3. Adjust the shoulder straps so that the retainer ring with a carbine were at the hip.
4. Properly balance the brushcutter: with 4 mm allen key, loosen the screw lock carabineer clip, move the rod in both directions until an optimal balance of the product.

**WARNING!**

Balancing of brushcutters is correct when cutting knife or spool of cutting line located at a distance of 10-20 cm from the ground (see Figure 5).

figure 5



5. Firmly tighten the screw lock carabineer.

**NOTE!**

Balancing of product will break down as the fuel consumption of the trimmer. Periodically balance trimmer in the cutting process.

**Handles adjusting**

To ensure a comfortable work with brushcutter it is very important to adjust the handles.

Correct hand position using trimmer: holding fast to both arms, the user's hands should be slightly bent at the elbow joint.

**Fueling****WARNING!**

The product comes with no fuel in the fuel tank!  
Never use pure gasoline. Fill the fuel tank with the mixture of gasoline two-stroke oil in the ratio of 25:1.

1. Prepare the fuel mixture, using a special container that came with the product. At first pour gasoline into the tank, and then oil. Mix well.
2. Thoroughly clean (!) the area around fuel cap and the fuel tank cap itself from contamination, not to let the grass, dust and dirt inside the tank.
3. Remove the plug (17) Fuel filler tank (see figure 1).
4. Fill the fuel tank 1.25 liters of fuel mixture (use a funnel to avoid spilling fuel).
5. Strongly tighten the cap of fuel tank.
6. If the fuel mixture spilled on the unit, wipe dry.

**In order not to bring motor scythes down:**

- Do not fill the fuel tank by pure gasoline. So as there is no brushcutters engine lubrication system, all of the internal parts of the power unit are lubricating with oil from the fuel mix.
- Do not use gasohol - risk of engine damage rubber seals.
- Do not use oil for four-stroke engines - the potential for contamination of the channel exit exhaust, spark plugs, piston rings ceasing.
- Prepare the fuel mixture and pour it directly into the fuel tank before work brushcutters if possible. Storage fuel mixture over 10 days can lead to its unsuitability for further use.

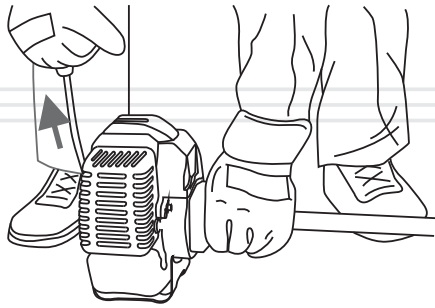
## Engine starting

### WARNING!

To avoid fuel spillage from the fuel tank trimmers, avoid excessive angles of the product.

1. Make sure that the knife or a spool of cutting line does not touch the ground or any other object.
2. Turn on the ignition, setting the switch (8) to position «I» (see Figure 1).
3. Place the trimmer on a flat surface. Hold the product at engine startup, as shown in figure 6.

figure 6



4. Pump the fuel to the carburettor, using the manual fuel pump "primer". To do this, click on the cap of "primer" 3-5 times as long as it does not see fuel. If the fuel does not fill "primer", click on the pump cap several times.
5. Close the choke by moving the throttle lever (11) (see Figure 1) to stop position. In this position, the damper is rich fuel mixture, which gives easier start.
6. Operate the starter motor, at first slowly pull the starter handle (18) (see figure 1), until you feel resistance, and then return to starting position. Then, abruptly pulling the starter handle (pull the handle gently and not to the end, so as not to pull the starter). We perform this procedure for as long as the engine starts.

### WARNING!

The starter handle should be pulled very carefully not to pull the starter cord out. Accompany cord with hand winder after pulling the cord when starting the engine to prevent damage to the starter.

### NOTE!

If after 5-10 attempts to start the engine starting failed, check the source (see Section 8 guidelines, "Troubleshooting and their solutions"), repair and repeat the starting procedure.

7. As the engine is started, slowly return the starter handle to its original position.
8. Warm up the engine until you have installed the normal steady pace.
9. Once the engine is warmed up, stop the flow of fuel-rich mixture, opening the choke carburetor. To do this, move the throttle lever (11) (see Figure 1) to the stop position. Gradually open the choke to stop the engine does not lean mixture.

### NOTE!

If the hot engine is running, choke valve should be in the open position.

### NOTE!

When starting a warm engine (or when ambient temperature is higher than +5 ° C) may be required partial enrichment of the fuel mixture.

### Features of a cold start or when temperature is below +5 ° C.

Must take into account that the ambient temperature is below +5 ° C to start the trimmer motor becomes more difficult.

1. Make sure that the knife or the spool of cutting line is not in contact with the ground or any other object.
2. Turn on the ignition, setting the switch (8) to position «I» (see Figure 1).
3. Place the trimmer on a flat surface. Hold the product at engine startup, as shown in Figure 6.
4. Pump the fuel to the carburettor, using the manual fuel pump "primer". To do this, click on the cap of "primer" 3-5 times as long as it will be filled in. If the fuel does not fill "primer", click on the pump cap several times.
5. Close the choke by moving the throttle lever (11) (see Figure 1) to the stop position.
6. Press all the way to the throttle lever (6) (see Figure 1).
7. Operate the starter motor, at first slowly pull the starter handle (18) (see Figure 1), until you feel resistance, and then return to starting position. Then, abruptly pulling the starter handle (pull the handle gently and not to the end, so as not to pull the starter). We perform this procedure for as long time as engine start.
8. Once the engine is start, slowly return the starter handle to its original position.
9. Immediately after the engine starts, release the throttle.
10. Warm up the engine until you have installed the normal steady pace.
11. Once the engine is warm up, open the choke. To do this, move the throttle lever (11) (see Figure 1) to the stop position. Gradually open the choke to stop the engine does not lean mixture.

**WARNING!**

You should not warm up the engine at high speeds, because it reduces the life of the engine.

**Engine shutdown**

Release the throttle lever (6) (see Figure 1) and allow the engine to idle for 1-3 minutes. Turn off the ignition, setting the switch (8) (see Figure 1) to "0".

**Engine Break**

New or recently renovated motor of trimmer must be run for 5 hours. Engine Break-in can be performed at the detached post. Throughout the period, running engine must be running at idle. During the run-in or run the engine at higher speeds and loads, as the correctness of the durability of the running of the engine.

**WARNING!**

If deviations is detected in the engine, stop it immediately, find out cause of the problem and take steps to eliminate

**5.2. WORK****WARNING!**

Before directly proceeding to the work with trimmer, carefully read this manual.

**Check before starting**

Inspect brushcutters and make sure that there is no mechanical damage to the product. Check for loose rods, handles and blade guard (spool of cutting line). Check the fuel level in the fuel tank, if necessary, top up to the norm.

**Work with brushcutters**

When working with brushcutters constantly keep your footing, firmly hold the trimmer with both arms. Initially practice - mow a small area of territory with smooth relief.

**CAUTION!**

To avoid injury, do not operate without use of backpack brushcutters vests.

In operation, use extreme caution, avoid any shock or knife spool on the ground and other objects.

**Work brushcutters with spool of cutting line**

For mowing grass on a free from any obstructions area of land along the fences and walls around the trees and mowing grass at the roots, use a spool of cutting line.

**NOTE!**

Cut grass by tips of cutting line. Effective mowing result will be achieved only with a smooth movement of the cutting part of trimmers in the work zone.

Before you began, adjust the length of the cutting line output from a spool :

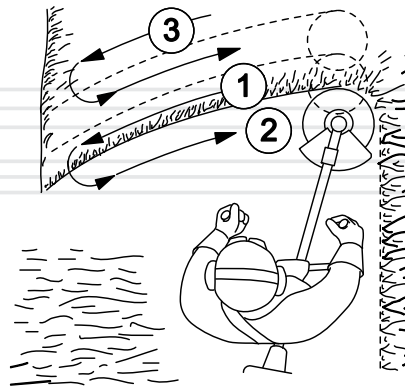
1. Set maximum engine speed.
2. Tilt the trimmers so that the spool lightly pressed her head to the ground. In this cutting line is automatically unbound.
3. Hold the brushcutter in this position until an optimal length of cutting line (15-17 cm). Excess cutting line will be cut off automatically fixed cutting blade located on the guard (23) (see Figure 1).

**NOTE!**

While operating, control ends of line emanating from the bobbin to have the same length.

Mowing grass on a free from obstructions area of land

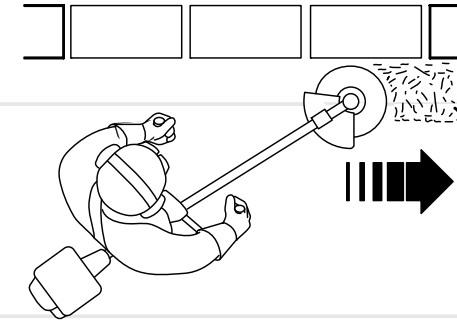
figure 7



While mowing areas without barriers, gradually move the trimmer from side to side, while trying to keep the cutting part of the product at the same height from ground. To determine the desired cutting height, do the mowing trial. When mowing large areas of land, divide the working area into sectors.

Cutting grass along the barriers

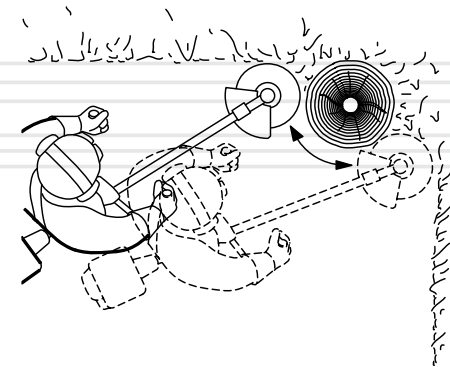
figure 8



While mowing the grass on the areas adjacent to the fence, fences, stonewalls, and foundations, brushcutters move very slowly in the direction as shown in figure 8, trying to cut the grass as close to the barrier. Thus, try to line does not touch these obstacles, as may break the cutting line.

Mowing grass around trees

figure 9



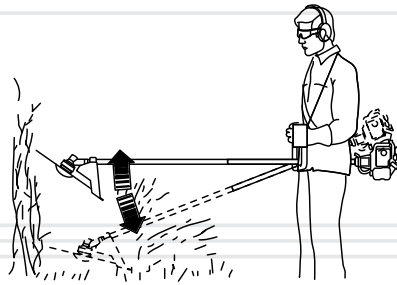
In processing the terrain around the tree trimmer move very slowly and very carefully, to fishing line does not touch the trunk of the tree and thus not able to damage the bark. Every tree you go around in a circle from left to right (see Figure 9).

### Work with a knife trimmer

When clearing the area of reeds, thickets of weeds and brush with a diameter of stems less than 20 mm, use a knife.

### The cutting of reeds and bushes

figure 10



Cut the reeds and shrubs in small parts from top to bottom, as shown in Figure 10.

#### CAUTION!

Using trimmer to trim bushes, having a thickness of stems over 20 mm may lead to personal injury or product malfunction.

#### CAUTION!

When working brushcutters present danger of return because of botched knife blade from accidental exposure to other solid objects. Consequently, brushcutter may be discarded in a direction opposite to the rotational direction of the blade. The result of this may be the lack of control over the product and the uncontrolled movement of the operator, which can lead to serious injury.



#### CAUTION!

Before starting maintenance work, always stop the engine before performing any of those specified in this section of the manual operations. All actions are performed only when the engine is cold. Remove the cap from the spark plug to prevent accidental starting.



#### NOTE!

Please contact a service center in case of difficulties with products maintenance.



table 1

Maintenance schedule brushcutters

TYPE OF SERVICE / RECOMMENDED TIME		Every time	Every 25-hour or month	Every 50 hours of work or 3 months	Every 100 hours or a year
Brushcutters in general	cleaning	•			
Connect and mount	check	•			
	lift	•			
Fuel	leak testing	•			
	check availability	•			
	filling	•			
Fuel filter	cleaning		•*		
	replacement	if necessary			
Fuel tank	cleaning		•*		
Fuel line	check	•			
	replacement	if necessary			
Carburettor	adjustment	if necessary			
The air filter element	checking the status	•			
	cleaning		•*		
	replacement				•*
Recoil starter	check	•			
Knife / spool	checking the status	•			
	filling a spool of fishing line	if necessary			
	replacement	if necessary			
Plug	check clearance, cleaning			•*	
	replacement				•*
Controls of product	check	•			
Bevel gear	cleaning and lubrication			•	

\* - Recommended more frequent service using the trimmer in polluted conditions.



**NOTE!**

If you do maintenance strictly under the rules, you increase the life of the product several times.

**Daily service**

After each use of brushcutters perform visual inspection of product for the detection of faults and damage, sagging fuel detection - eliminate the causes of faults. Check and tighten all brushcutter fasteners. Remove from all parts of the product and details of the grass, dust and dirt, clean the air vents on the housing of the power unit, check the cleanliness of the air filter, and, if necessary, clean it.

In case of excessive contamination of parts and components of brushcutter, wipe with a special cleaning liquid.

**Replacing a cutting line in a spool**

1. Stop the engine.
2. Remove the spool (spool has a left-hand thread).
3. Remove the lid and remove the spool reel.
4. Remove the remains of the cutting line from the reel (damaged fishing line).
5. Take the new nylon cutting line diameter of 2.4 mm in length up to 6 m.

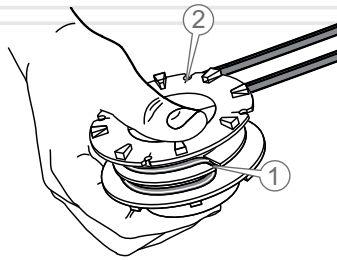


**WARNING!**

Do not wind the line into the spool more than the norm!

6. Fold the line in half.
7. Thread the cutting line in a bend place in the slot (1) on the coil (see figure 11). Carefully wind the line onto the spool in a clockwise direction.

figure 11



8. Thread the ends of the line into the slot (2) on the coil and then through the slots in the spool. The length of fishing line out of the spool should be no more than 15-17 mm.
9. Accurately and correctly assemble the spool, close the lid securely.
10. Verify that the spool works correct.

### Air filter

A dirty air filter can become a problem during startup, lead to a loss of power, engine malfunction and extremely reduce engine life



### WARNING!

It is forbidden to operate brushcutters without securely fastened the air element or the filter cover. To clean the air filter element, use soapy water or a non-flammable solvent.

Air filters should be replaced promptly. Dirt and dust coming through the air filter, is causing great damage to the engine, thereby reducing its service life several times.

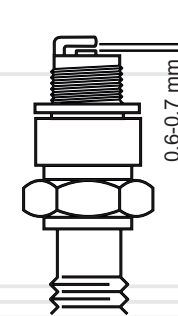
### Plug



### NOTE!

For proper operation of the engine the spark plug should be uncontaminated, the gap between the electrodes should be 0.60 - 0.70 mm.

figure 12



### Carburettor

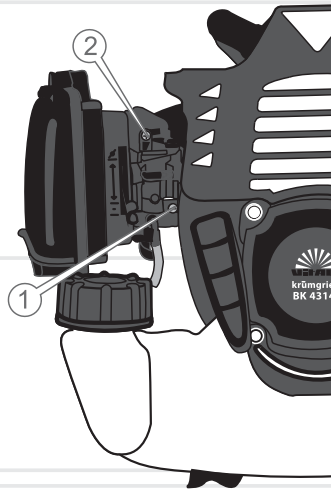
The carburettor is adjusted at the factory when trimmer was tested. This adjustment should be maintain during the engine break-in period (within 5 hours). After running, the engine may need to fine-adjust the carburettor.



### NOTE!

It is possible that at the first engine start, and during the engine run-in test fine-tuning the carburettor may be needed.

figure 13



1. The fuel adjusting screw.
2. The idle adjusting screw.

### Adjusting the carburetor (see Figure 13)

1. Stop the engine.
2. Turn the adjustment screws fuel and idling clockwise until it stops. Do not use force when rotating propellers.
3. Slowly turn the adjusting screw of the fuel counter-clockwise to  $2,5 \pm 0,5$  turns.
4. Slowly turn the idle adjustment screw counter-clockwise by  $13 \pm 1$  turns.
5. Start the engine and warm it up for 2-5 minutes at idle.
6. Set the maximum engine throttle speed lever. Ensure a smooth transition from the engine idle speed to a maximum speed mode. If the engine does not gain the maximum speed or the engine work is not steady, fine adjustments carburetor: Slowly turn the adjusting screw of the fuel supply to both sides (to a maximum of 0.5 turns) until the motor does not reach maximum sustainable speed.



### WARNING!

Do not install the maximum engine speed than specified maximum frequency in Section 3 of this manual, as it will lead to engine damage.



### NOTE!

A qualified service center or a qualified technician must perform carburetor adjustment.

### Fuel filter and fuel tank

It is recommend to clean the fuel filter and the fuel tank every 25 hours of the product operation or each month (whichever comes first). If the need arises, the service interval can be shorter. These measures will help extend the life of the fuel system trimmers.

Clean the fuel filter and the fuel tank with gasoline.



### WARNING!

It is forbidden to work brushcutters for contaminated or damaged fuel filter.

### Fuel line

Fuel line is made of rubber products that are subject to mechanical stress and environmental influences. This does not mean that the fuel is made of a material of poor quality. Each material has its own usefull life and it has its own aging properties. To prevent possible leakage of fuel should be carry out timely inspection of the fuel and, if necessary, it is timely replacement.

### Grease a bevel gear

Bevel gearbox factory is filled with a sufficient amount of grease. However, with the gear does not disable, it is important to clean the dust and dirt, and grease the working parts of the gearbox every month (every 50 hours trimmers). Use grease that is use in the transmission or to lubricate gear transmission to lubricate the gear .



#### WARNING!

If you operate the brushcutter without lubrication (insufficient lubrication, contaminated grease) in a conical reducer, the should gear fails.



#### NOTE!

If you have any difficulty in the process of gear lubrication, contact the service center.

### Check control

Before you get started operating trimmer, be sure to check out the controls for damage: the throttle, the throttle lever lock button, switch the ignition key guard to prevent accidental operation of the lever throttle, choke carburetor cap "primer".

### Handling



#### WARNING!

It is forbidden to carry and transport brushcutters with a running engine.

Transportation of brushcutters is allowed by all modes of transport, ensuring its safety, in accordance with the general rules of traffic.

Take care not to damage the product during shipping. Do not place heavy objects on brushcutters.

When changing workplace stop the engine. Carry the product by using the man-pack vest. You can also transfer brushcutters Hold the barbell in the equilibrium position.



#### WARNING!

To avoid fuel spillage before transporting brushcutters, drain the fuel from the fuel tank.

During loading, unloading, and transportation brushcutter should not be subject to shocks and the impact of rainfall.

Stowage and securing products in vehicles should ensure a stable position trimmers and its lack of movement during transport.

Acceptable transportation brushcutters: ambient temperature from -15 ° C to +55 ° C, relative humidity up to 90%.

### Storage

Storage products recommended in a ventilated room at a temperature of -15 ° C to +55 ° C and a relative humidity of 90%.



## TROUBLESHOOTING AND THEIR SOLUTIONS

### In preparing the product for storage:

1. Drain the fuel from the fuel tank.
2. Remove accumulated over time, oil, dust, dirt and grass from the powertrain products, bars, a protective cover, a knife and a spool.
3. Disconnect knife or a spool of cutting line.
4. Lubricate all metal parts of the product.
5. Tighten all bolts, screws and nuts.



### WARNING!

Keep the product in the same room with flammable substances, acids, alkalis, fertilizers and other aggressive substances is prohibit.

### Utilization

Do not throw away the trimmer in a container with household waste! After serving his sentence brushcutter, accessories and packaging should give up on recycling and disposal.

For information on recycling, please contact the local administration.

DESCRIPTION OF FAILURE	Possible cause	Ways to eliminate
Engine does not start	No fuel in the fuel tank	Fill the fuel in the fuel tank
	Contaminated fuel, water in fuel mixture	Replace the fuel
	Dirty, flooded with fuel or faulty spark plug	Clean, dry or replace spark
	Fuel is not introduced into the carburettor	Contact the service center
	Flooded with inappropriate management requirements fuel mixture	Replace the fuel mixture
	switch plug in the "0" (off)	Turn on the ignition
	Carburettor is out of adjustment	Adjust
	Dirty / worn fuel filter	Clean / replace
	Open choke when the engine is cold	Close the choke
	The engine is hot, the air damper is closed	Open the choke
Insufficient power	The engine is out of order	Contact the service center
	Carburetor out of adjustment	Adjust
	Contaminated fuel	Replace the fuel
	Dirty air filter	Clean the air filter
	Spark Plug the end of its life	Replace the spark plug

DESCRIPTION OF FAILURE	Possible cause	Ways to eliminate
Insufficient power	Flooded with inappropriate management requirements fuel mixture	Replace the fuel mixture
	Closed choke valve	Open the choke
	The engine overheats	Stop the engine, allow it to cool completely
	Grass on stem of bevel gear	Stop the engine, clean the spindle from the grass
Knife (spool of fishing line) is not driven	Bevel gear is damaged	Contact the service center
	The centrifugal clutch is out of order	Contact the service center
Poor performance of the product	Spool of cutting line is not enough	Find out the cause, correct
	Blunt knife	Replace
Increased vibration	Failed bevel gear	Contact the service center
	Worn bearings	Contact the service center
	Carburetor out of adjustment	Adjust
	The blade is damaged	Replace
	The spool is out of balance	Replace
No way out of line from the spool	Line is missing	Thread the line
	Tangled fishing line on the reel	Unravel
	Spool contaminated	Clean
	Cutting line stuck together from excessive heat during operation	Replace fishing line
	Incorrect cutting line is wound on a spool	Properly wrap the line into the spool

Warranty period of Brushcutters «Vitals» **BK 4314o** and **BK 4919o** is 1 (one) year specified in the warranty card date of retail sale.

During the warranty period, defective parts and components will be replaced, subject to all the requirements and guidelines for damage related to improper handling, storage and transportation of the product. For warranty service, contact your nearest authorized service center.

The consumer has the right to free warranty troubleshooting, identified and presented during the warranty period due to production and design factors.

Troubleshooting warranty is made by the repair or replacement of defective parts of the product to the certified service centers. Because of the complex structure repair can last more than two weeks. The cause of the fault and determine the terms of their elimination service personnel.

**NOTE!**

**Product accepted for warranty only fully equipped, carefully cleaned of dirt and dust.**

**Warranty becomes invalid in the following cases:**

- Absence or unread warranty card.
- Improperly completed warranty card, it does not contain the date of the sale or seal (stamp) and signature of the seller, the serial number of the product.
- The presence of corrections or erasures in the warranty card.
- Complete or partial absence, unread serial number on the product, product serial number mismatch the number listed in the warranty card.
- Improper operation, in this manual, including the violation of rules of maintenance.
- Operation of defective or incomplete products, which caused its failure.
- Ingestion of product foreign substances or objects.
- The product has a significant mechanical or thermal damage, clear signs of careless handling, storage or transportation.

- Product has been used for other purposes.
- Made unauthorized repairs, tampering or attempted development of the product by the consumer or a third party.
- The fault is due to a natural disaster (fire, flood, hurricane, etc.).

Replaced under warranty parts and assemblies available to move the service center.

When the warranty on the warranty period increases the residence time of repair products. Counting the added period starts from the date of acceptance of the product warranty.

If for technical reasons, can not repair your product, service center gives the act, based on the user to decide on the organization of the supplier of the replacement product or refund.

After the warranty period service centers continue to perform maintenance and repair of the product, but at the expense of the consumer.

The warranty does not cover damage caused by natural wear and overloading of the product.

The warranty does not apply to the accessory equipment.

The warranty does not apply to the incompleteness of the product structure, which could be detected by its sale. All transportation costs is a consumer product.

Limited warranty is not a basis for other claims.

## ШАНОВНИЙ КОРИСТУВАЧІ!

Дякуємо Вам за придбання мотокоси ТМ "Vitals".

Техніка ТМ "Vitals" розробляється за європейськими стандартами якості та з використанням сучасних технологій.

Неправильна експлуатація мотокоси і недотримання заходів безпеки може призвести до пошкодження виробу або до серйозних травм!

Дане керівництво містить всю необхідну інформацію щодо заходів безпеки при роботі мотокосою. Уважно ознайомтесь із керівництвом перед початком роботи виробом.

Будь ласка, надайте іншим користувачам дане керівництво, перш ніж вони почнуть працювати мотокосою. Дане керівництво необхідно зберігати для подальшого його використання.

Ми постійно працюємо над удосконаленням своєї продукції та, у зв'язку з цим, залишаємо за собою право на внесення змін у зовнішній вигляд, оснащення і технологію виробництва, не змінюючи основних принципів управління, без повідомлення споживача. Всі можливі зміни будуть спрямовані тільки на покращення і модернізацію виробу.

## ЗНАЧЕННЯ КЛЮЧОВИХ СЛІВ



### ОБЕРЕЖНО!

Позначає потенційно небезпечні ситуації, яких слід уникати, в противному разі може виникнути небезпека для життя або здоров'я.



### УВАГА!

Позначає потенційно небезпечні ситуації, які можуть призвести до легких травм або до поломки виробу.



### ПРИМІТКА!

Позначає важливу додаткову інформацію.



Мотокоси «Vitals» **ВК 4314о** і **ВК 4919о** представляють собою ручні моторизовані вироби з верхнім розташуванням двигуна внутрішнього згоряння. Дані вироби мають сучасний дизайн, економічні, надійні в роботі, прості в обігу й обслуговуванні.

Мотокоси «Vitals» ВК 4314о та ВК 4919о призначені для скошування трави на невеликих площах, у незручних для ефективної роботи колісною газонокосаркою місцях (біля дерев, кущів, парканів, стовпів) або на місцевості, яка має нерівний рельєф зі схилами, а також для зрізання бур'яну, очерету і чагарнику, з діаметром стовбурів не більше 20 мм.

По своїй конструкції мотокоси відносяться до простих класичних механізмів (силовий агрегат, вал, конічний редуктор, шпindel з встановленим на ньому ножем або шпулею з ліскою). Принцип дії виробу дуже простий: обертальний рух від двигуна внутрішнього згоряння передається на вал. Конічний редуктор здійснює механічну передачу крутного моменту від вала на шпindel, на якому закріплений ніж або шпуля з ліскою.

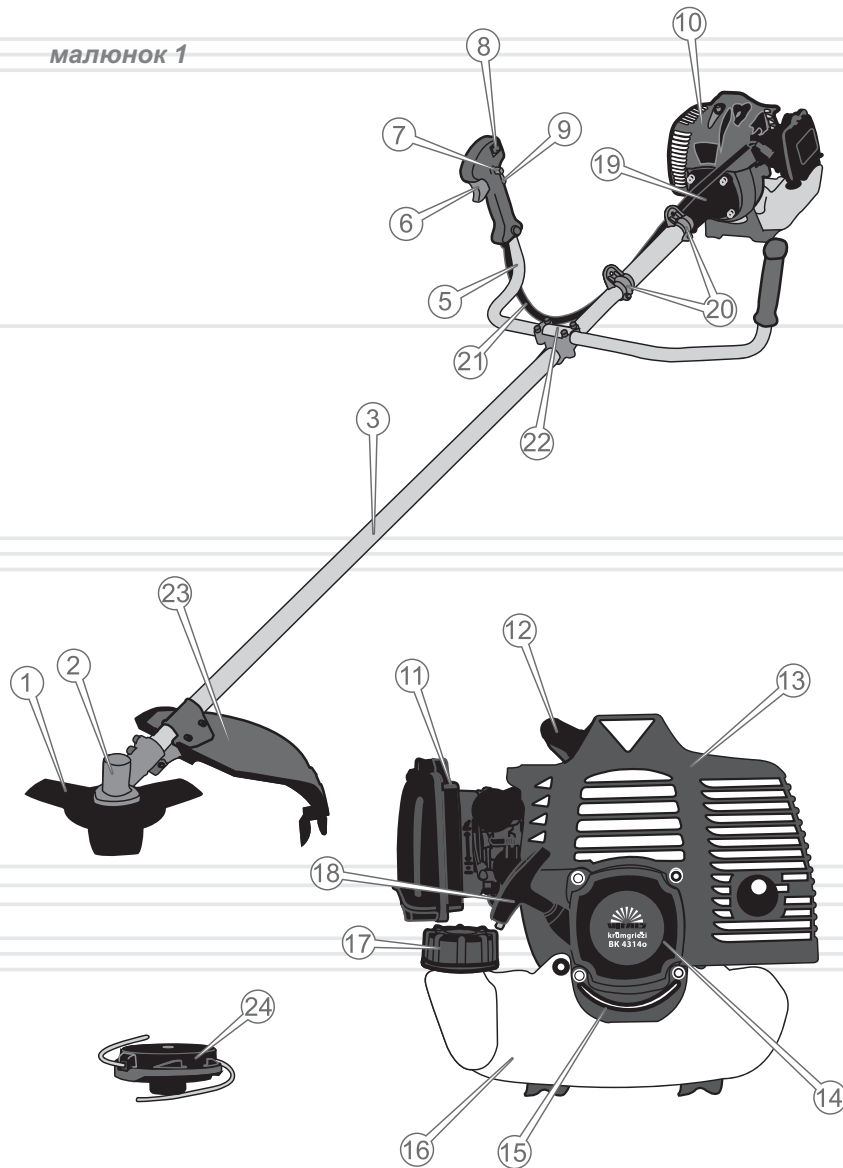
#### Відмінні особливості мотокоcos «Vitals»:

- Хромований циліндр. Тривалий термін служби циліндра досягається завдяки збільшенню зносостійкості пари, що треться – циліндр-поршневі кільця.
- Низький рівень вібрації.
- Посилений ручний стартер (з двома литими зубцями).
- Паливопідкачувальний насос "праймер" (для полегшення запуску двигуна мотокоcos), за допомогою якого забезпечується попередня підкачка палива. Завдяки цьому запуск двигуна здійснюється набагато швидше.
- Комфортні ручки.
- Ергономічна роздільна рукоятка, яка складається з двох частин, що допускає регулювання однієї частини незалежно від іншої.

- Нероздільна металева штанга.
- Металевий захист паливного бачка.
- Ергономічна ранцева жилетка.
- Великий пластиковий захисний кожух із ножем.
- Шпуля з ліскою і трипелюстковий ніж у комплекті.

Опис основних компонентів мотокоcos представлено нижче.

малюнок 1



1. Ніж
2. Конічний редуктор
3. Штанга
4. Ліва рукоятка
5. Права рукоятка
6. Важіль дроселя
7. Кнопка фіксації важеля дроселя
8. Вимикач запалювання
9. Клавша, яка запобігає випадковому натисканню важеля дроселя
10. Кришка повітряного фільтра
11. Важіль повітряної заслінки карбюратора
12. Ковпачок свічки запалювання
13. Кришка глушителя
14. Кришка стартера
15. Металевий захист паливного бачка
16. Паливний бачок
17. Пробка паливного бачка
18. Рукоятка стартера
19. Стикувальний вузол із відцентровим зчепленням
20. Фіксатори ранцевої жилетки
21. Гофрована труба з тросом управління дроселем і силовим проводом
22. Кронштейн
23. Захисний кожух із нерухомим ріжучим ножем
24. Шпуля

## 2

## КОМПЛЕКТ ПОСТАВКИ

1. Мотокоса (силовий агрегат, штанга зі стикувальним вузлом і конічним редуктором)
2. Роздільні рукоятки
3. Ємність для приготування паливної суміші
4. Свічковий ключ 17x19 мм
5. Ключ 8x10 мм
6. Шестигранний ключ 4 мм
7. Шестигранний ключ 5 мм
8. Комплект кріпильних гвинтів
9. Ранцева жилетка
10. Викрутка
11. Шпуга з ліскою
12. Трипелюстковий ніж
13. Лійка
14. Сітка-фільтр для заправки палива
15. Захисний кожух
16. Штанга з конічним редуктором і стикувальним вузлом
17. Нерухомий ріжучий ніж
18. Керівництво з експлуатації
19. Упаковка

УКРАЇНСЬКА

**ПРИМІТКА!**

Завод-виробник залишає за собою право вносити у зовнішній вигляд, конструкцію і комплект поставки мотокоси незначні зміни, які не впливають на роботу виробу.

52

## 3

ТЕХНІЧНІ  
ХАРАКТЕРИСТИКИ

МОДЕЛЬ	БК 4314o	БК 4919o
Тип двигуна	бензиновий двотактний повітряного охолодження	
Тип палива	суміш бензину з маслом для двотактних двигунів 25:1	
Робочий об'єм двигуна, куб. см	42,7	49,0
Потужність, кВт/к.с.	1,4 / 1,9	1,85/2,5
Максимальна частота, об/хв	9500	
Об'єм паливного бака, л	1,25	
Діаметр скошування ліскою, мм	430	
Діаметр скошування ножем, мм	255	
Діаметр ліски, мм	2,4	
Габарити упаковки (ДхШхВ), мм	30x27x30 / 165x11x11	
Вага нетто, кг	9,0	
Вага брутто, кг	9,5	

УКРАЇНСЬКА

53

## 4.1. ВАЖЛИВА ІНФОРМАЦІЯ З БЕЗПЕКИ

Перед початком роботи мотокосою уважно ознайомтеся з вимогами щодо техніки безпеки та попередженнями, викладеними в цьому керівництві.

Більшість травм під час експлуатації виробу виникає в результаті недотримання основних положень правил техніки безпеки. Травм можна уникнути, якщо суворо дотримуватися запобіжних заходів і завчасно передбачити потенційну небезпеку.

Ні за яких обставин не використовуйте виріб способом або в цілях, не передбачених даним керівництвом.

Неправильна експлуатація виробу або експлуатація ненавченою людиною може призвести до нещасного випадку.

**ОБЕРЕЖНО!**

**Забороняється експлуатація виробу непідготовленими до роботи людьми.**



## 4.2. БЕЗПЕКА ЕКСПЛУАТАЦІЇ

1. НЕ ДОЗВОЛЯЙТЕ КОРИСТУВАТИСЯ ВИРОБОМ ДІТЯМ І ОСОБАМ З ОБМЕЖЕНИМИ МОЖЛИВОСТЯМИ.
2. НЕ ДОВІРЯЙТЕ МОТОКОСУ ПІДЛІТКАМ, ЗА ВИНЯТКОМ УЧНІВ, ЯКИМ ВИПОВНИЛОСЯ 16 РОКІВ, ЯКІ НАВЧАЮТЬСЯ РОБОТІ МОТОКОСОЮ ПІД ПИЛЬНИМ НАГЛЯДОМ ІНСТРУКТОРІВ.
3. БУДЬТЕ ПОВНІСТЮ СКОНЦЕНТРОВАНИ НА РОБОТІ.  
Не відволікайтеся під час роботи мотокосою, так як це може викликати втрату контролю і стати причиною отримання травм різного ступеню тяжкості.

4. НЕ ВКЛЮЧАЙТЕ І НЕ ПРАЦЮЙТЕ ВИРОБОМ У ВИПАДКУ ХВОРОБИ, У СТАНІ СТОМЛЕННЯ, НАРКОТИЧНОГО АБО АЛКОГОЛЬНОГО СП'ЯНІННЯ, А ТАКОЖ ПІД ВПЛИВОМ СИЛЬНОДІЮЧИХ ЛІКАРСЬКИХ ПРЕПАРАТІВ, ЯКІ ЗНИЖУЮТЬ ШВИДКІСТЬ РЕАКЦІЇ Й УВАГУ.

5. СТЕЖТЕ ЗА ЦІЛІСНІСТЮ ТА СПРАВНІСТЮ ВИРОБУ.

Перед початком роботи мотокосою перевірте справність ножа або шпулі з ліскою, захисного кожуха, вимикача запалювання, глушника і клавіші блокування важеля дроселя. Не вмикайте та не експлуатуйте виріб при наявності пошкоджень, із ненадійно закріпленими частинами і деталями. Усі передбачені конструкцією складові і захисні елементи повинні бути на штатних місцях.

6. НАДЯГАЙТЕ ВІДПОВІДНИЙ ОДЯГ ТА ВЗУТТЯ ПРИ РОБОТІ ВИРОБОМ.

Працюючи виробом, надягайте облягаючий одяг і застібніть всі ґудзики. Обувайте міцні захисні чоботи або черевики, які мають закритий носок і підошву, яка не ковзає. Завжди використовуйте засоби захисту обличчя і очей (вентильовану маску, окуляри), а також органів слуху (наушники, беруші). Для захисту рук використовуйте щільні рукавички або рукавиці. Обов'язково надягайте головний убір.

7. НЕ ПРИСТУПАЙТЕ ДО РОБОТИ БЕЗ ПОПЕРЕДНЬОГО ТРЕНУВАННЯ.

8. ПЕРЕВІРТЕ ТЕРИТОРІЮ, НА ЯКІЙ ВИ ПЛАНУЄТЕ ПРАЦЮВАТИ, НА НАЯВНІСТЬ СТОРОННІХ ПРЕДМЕТІВ: КАМІННЯ, МЕТАЛУ, СКЛА, ПЛАСТМАСОВИХ І ДЕРЕВ'ЯНИХ ПРЕДМЕТІВ.

9. НЕ ДОПУСКАЙТЕ ПРИСУТНОСТІ СТОРОННІХ ЛЮДЕЙ І ТВАРИН У ЗОНІ ПРОВЕДЕННЯ РОБІТ (У РАДІУСІ 15 МЕТРІВ).

10. ПІД ЧАС ЗАПРАВКИ ТА ЕКСПЛУАТАЦІЇ МОТОКОСИ НЕ ДОПУСКАЙТЕ ЩОБ ПАЛИВО ТА МАСЛО ПОПАДАЛИ НА ЗЕМЛЮ І В СТОКИ ВОДИ.

Після заправки щільно закрутіть кришку паливного бачка, перевірте, чи немає протікання. У разі витіку палива усуньте недолік до запуску двигуна, так як це може призвести до пожежі. Якщо паливо пролилося на виріб, витріть насухо.

11. НЕ ЗАПРАВЛЯЙТЕ ВИРІБ ПАЛЬНИМ, ЯКЩО ДВИГУН ЗАПУЩЕНО.  
Будьте дуже уважні при поводженні з паливом, пари бензину дуже небезпечні для здоров'я. Пам'ятайте, що недбале поводження з бензином може викликати пожежу. Забороняється заправляти виріб пальним у приміщенні.

12. НЕ ПРАЦЮЙТЕ В БЕЗПОСЕРЕДНІЙ ВІДСТАНІ (МЕНШЕ 15 МЕТРІВ) ВІД МІСЦЕЗНАХОДЖЕННЯ ЛЕГКОЗАЙМИСТИХ МАТЕРІАЛІВ.

13. ЯКЩО ВИ НЕ КОРИСТУЄТЕСЬ ВИРОБОМ, ЗЛИЙТЕ ПАЛИВО.

14. ПЕРЕД ЗАПУСКОМ ДВИГУНА І ПОЧАТКОМ РОБОТИ ВІДЦЕНТРУЙТЕ НІЖ АБО ШПУЛЮ З ЛІСКОЮ, ЩОБ ВОНИ МОГЛИ ВІЛЬНО ОБЕРТАТИСЯ І НЕ ТОРКАЛИСЯ СТОРОННІХ ПРЕДМЕТІВ.

15. НЕ ПРАЦЮЙТЕ МОТОКОСОЮ ПІД ЧАС ДОЩУ І СНІГУ, ПРИ СИЛЬНОМУ ВІТРІ, В УМОВАХ ОБМЕЖЕНОЇ ВИДИМОСТІ.

Не мийте виріб та не лейте на нього воду. Якщо мотокоса якимось чином намочена, насухо витріть корпус. Якщо вода потрапила всередину корпусу, негайно вимкніть виріб. Не намагайтеся самі розкривати виріб – зверніться до сервісного центру.

16. НЕ ТОРКАЙТЕСЯ ДЕТАЛЕЙ ВИРОБУ, ЯКІ ОБЕРТАЮТЬСЯ.  
Не піднімайте руки, пальці та інші частини тіла до рухомих частин мотокоси.

17. У ПРОЦЕСІ РОБОТИ МІЦНО УТРИМУЙТЕ МОТОКОСУ В ОБОХ РУКАХ, НІКОЛИ НЕ КОСІТЬ, ТРИМАЮЧИ ВИРІБ ОДНІЄЮ РУКОЮ.

18. У ВИПАДКУ ЯКЩО ПІД ЧАС РОБОТИ СТАЛОСЯ ЗІТКНЕННЯ НОЖА З МЕТАЛОМ, КАМІННЯМ ТА ІНШИМИ ТВЕРДИМИ СТОРОННІМИ ПРЕДМЕТАМИ, НЕГАЙНО ЗУПИНІТЬ ДВИГУН І ОГЛЯНЬТЕ НІЖ НА ВІДСУТНІСТЬ УШКОДЖЕННЯ.

19. ПРИ ЗАМІНІ НОЖА, ЛІСКИ АБО ПРИБИРАННЯ СКОШЕНОЇ ТРАВИ, ОБОВ'ЯЗКОВО ЗУПИНІТЬ ДВИГУН.

20. НЕ ПРАЦЮЙТЕ МОТОКОСОЮ ЯКЩО НІЖ ЗАТУПЛЕНИЙ, А ТАКОЖ ПІД ЧАС ПОЛОМКИ ШПУЛІ З ЛІСКОЮ, ТОМУ ЩО ПРИ ЦЬОМУ ПІДВИЩУЄТЬСЯ ВІРОГІДНІСТЬ ОТРИМАННЯ ТРАВМ.

Слідкуйте за станом ножа і шпулі. Не встановлюйте на виріб ніж або шпулю з ліскою, які мають пошкодження. Не використовуйте армовану ліску, металевий дріт, електричний провід, трос або спицю замість ліски, а також ножі, які виготовлені не в заводських умовах.

21. НЕ ПЕРЕВАНТАЖУЙТЕ І НЕ ПЕРЕГРІВАЙТЕ ДВИГУН МОТОКОСИ, ЧЕРГУЙТЕ РОБОТУ З ВІДПОЧИНКОМ.

22. НЕ ЗАЛИШАЙТЕ ВИРІБ УВІМКНЕНИМ БЕЗ НАГЛЯДУ.

23. ОЧИЩАЙТЕ ПОВЕРХНЮ МОТОКОСИ ВІД ПИЛУ, БРУДУ ВІДРАЗУ Ж ПІСЛЯ ЗАКІНЧЕННЯ РОБОТИ.

24. ТЕХНІЧНЕ ОБСЛУГОВУВАННЯ ТА ЗБЕРІГАННЯ МОТОКОСИ ЗДІЙСНЮЙТЕ ТІЛЬКИ ВІДПОВІДНО ДО ВИМОГ ЦЬОГО КЕРІВНИЦТВА З ЕКСПЛУАТАЦІЇ.

25. НЕ ВИКОРИСТОВУЙТЕ ВИРІБ НЕ ЗА ПРИЗНАЧЕННЯМ.

26. НЕ ЗДІЙСНЮЙТЕ НЕСАНКЦІОНОВАНИЙ РЕМОНТ, РОЗКРИТТЯ КОМПОНЕНТІВ АБО СПРОБУ МОДЕРНІЗАЦІЇ ВИРОБУ.

27. НЕ ПРАЦЮЙТЕ МОТОКОСОЮ ЯКЩО НІЖ АБО ШПУЛЯ РОЗБАЛАНСОВАНІ, ТАК ЯК ЦЕ ПРИЗВЕДЕ ДО ПІДВИЩЕНОЇ ВІБРАЦІЇ І МОЖЛИВОМУ ВИХОДУ МОТОКОСИ З ЛАДУ.

**УВАГА!**

Слідкуйте за справністю виробу. У разі відмови в роботі, появи сильного стуку, шуму, іскор та полум'я, необхідно негайно відключити виріб і звернутися до сервісного центру.

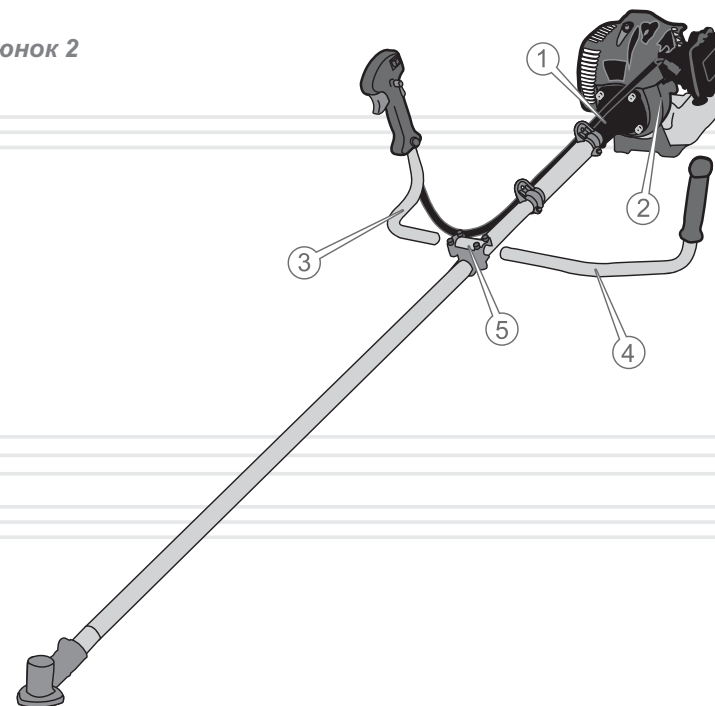
**ПРИМІТКА!**

Дане керівництво не може врахувати всіх випадків, які можуть виникнути в реальних умовах експлуатації мотокоси. Тому, при роботі з виробом керуйтеся здоровим глуздом, дотримуйтесь граничної уваги і акуратності.

**5.1. ПІДГОТОВКА ДО РОБОТИ****Під'єднання штанги до силового агрегату**

1. Акуратно вийміть з упаковки силовий агрегат, штангу зі стикувальним вузлом і кінчним редуктором, а також комплектні приналежності.
2. Огляньте мотокосу на предмет цілісності, справності і легкості ходу рухомих частин виробу.
3. Установіть силовий агрегат на чисту рівну поверхню.
4. Акуратно під'єднайте стикувальний вузол штанги (1) до силового агрегату (2) і надійно зафіксуйте чотирма гвинтами з комплекту приладдя, використовуючи шестигранний ключ 5 мм (див. малюнок 2).
5. Переконайтеся в надійності кріплення штанги.

малюнок 2

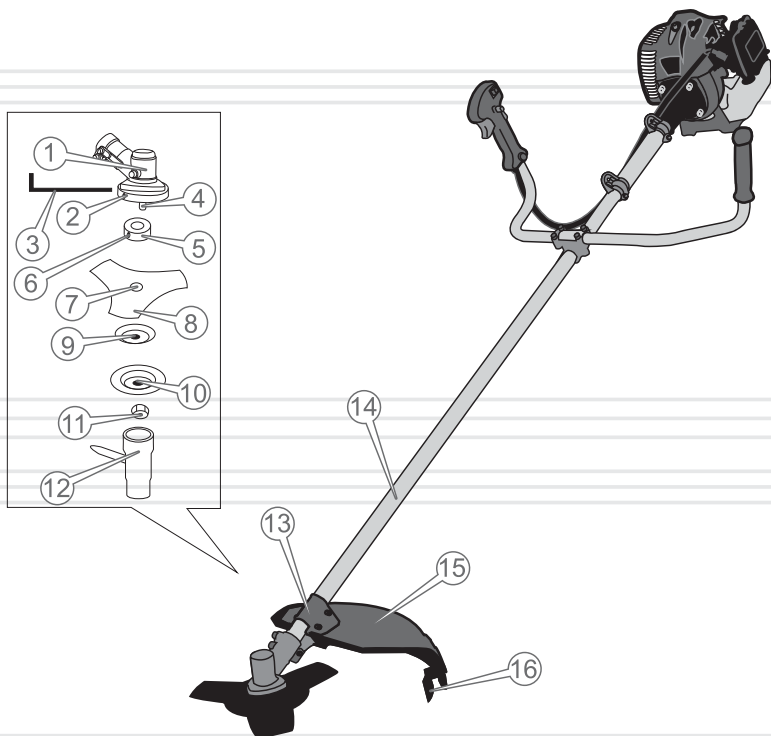


**Під'єднання рукояток**

1. Використовуючи шестигранний ключ 4 мм послабте чотири гвинти кронштейна (5) таким чином, щоб рукоятки (3, 4) вільно входили в отвори кронштейна (див. малюнок 2).
2. Вставте праву (3) і ліву (4) рукоятки в отвори кронштейна до упору. Встановіть рукоятки в таке положення, щоб забезпечувалася максимальна зручність при роботі мотокоосою.
3. Надійно затягніть чотири гвинти кронштейна, щоб рукоятки не проверталися.
4. Переконайтеся в надійності і зручності кріплення рукояток.

**Під'єднання захисного кожуха і нерухомого ріжучого ножа**

малюнок 3



60

1. Встановіть нерухомий ріжучий ніж (16) на захисний кожух (15) і надійно закрутіть гвинт із комплекту приладдя, використовуючи хрестоподібну викрутку (див. малюнок 3).
2. Відкрутіть чотири гвинти фіксатора захисного кожуха (13), розташованого на штанзі (14).
3. Приєднайте захисний кожух (15) до фіксатора (13) і надійно затягніть чотири гвинти з комплекту приладдя, використовуючи ключ 8 мм і шестигранний ключ 4 мм.

**УВАГА!**

Передбачено два положення установки захисного кожуха. При роботі мотокоосою зі встановленим ножем, захисний кожух розташуйте впритул до конічного редуктора. При роботі мотокоосою зі встановленою на ній шпулею з ліскою, захисний кожух посуньте вгору по штанзі від конічного редуктора.

4. Переконайтеся в надійності фіксації захисного кожуха на штанзі.

**Під'єднання ножа**

1. Надіньте на шпindel (4) конічного редуктора (1) шліцьову приводну шайбу з посадковою сходинкою (5) таким чином, щоб стопорний отвір (2) конічного редуктора співпав зі стопорним отвором (6) на шліцьовій приводній шайбі (див. малюнок 3).
2. Вставте в стопорне отвір (2) конічного редуктора (1) шестигранний ключ (3), щоб шпindel (4) не міг обертатися.
3. Одягніть на шпindel (4) ніж (8) таким чином, щоб посадкова сходинка шліцьової приводної шайби (5) увійшла в посадковий отвір ножа (7).

**ОБЕРЕЖНО!**

Забороняється встановлювати на мотокоосу ножі, які виготовлені не в заводських умовах, із меншим або більшим посадковим отвором.

4. Надіньте на шпindel (4) тарілчасту шайбу (9), захисну тарілчасту кришку (10), і за допомогою ключа 19 мм (12) надійно закрутіть фіксуючу гайку (11).

61

**ПРИМІТКА!**

Фіксуюча гайка має ліву різьбу.

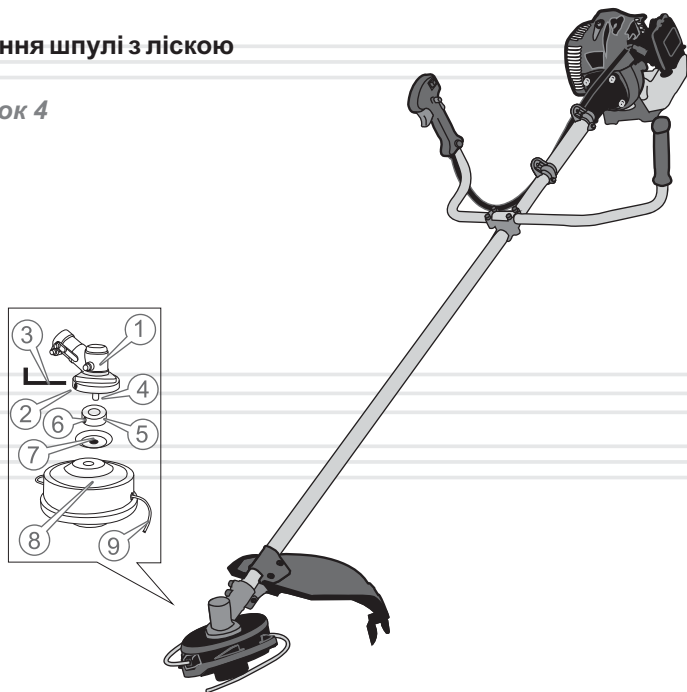
5. Вийміть шестигранний ключ (3) із стопорного отвору (2) конічного редуктора (1).
6. Переконайтеся в правильності і надійності установки ножа.

**УВАГА!**

Щоб уникнути травм, при установці і знятті ножа надягайте захисні рукавиці або рукавички, які виготовлені з міцного матеріалу.

**Під'єднання шпулі з ліскою**

малюнок 4

**УВАГА!**

Перед тим, як під'єднати шпулю переконайтеся, що на котушку шпулі намотана достатня кількість ліски (9).  
Максимальна місткість котушки становить близько 6 м круглої ліски діаметром 2,4 мм.  
Довжина виходу ліски зі шпулі повинна становити 15-17 см.

1. Надіньте на шпindel (4) конічного редуктора (1) шліцьову приводну шайбу з посадковою сходиною (5) таким чином, щоб стопорний отвір (2) конічного редуктора збігся зі стопорним отвором (6) шліцьової приводної шайби (див. малюнок 4).
2. Вставте в стопорний отвір (2) конічного редуктора (1) шестигранний ключ таким чином (3), щоб шпindel (4) не міг обертатися.
3. Одягніть на шпindel (4), тарілчасту шайбу (7).
4. Від руки нагвинтіть на шпindel (4) шпулю (8) з ліскою (9).

**ПРИМІТКА!**

Шпуля має ліву різьбу.

5. Вийміть шестигранний ключ (3) із стопорного отвору (2) конічного редуктора (1).
6. Переконайтеся в правильності і надійності установки шпулі з ліскою.

**Регулювання ранцевої жилетки**

Для забезпечення безпеки і зручності під час роботи мотокосою дуже важливо правильно відрегулювати ранцеву жилетку таким чином, щоб мотокоса була правильно збалансована в робочому положенні.

**ПРИМІТКА!**

Якщо посадка ранцевої жилетки правильно збалансована, ви зможете працювати без втоми на протязі тривалого часу.



1. Надіньте ранцеву жилетку на плечі і застібніть поясний ремінь.
2. Пристебніть ранцеву жилетку карабіном до фіксатора (20) (конструкцією виробу передбачено два фіксатори) (див. малюнок 1).
3. Відрегулюйте довжину плечових ременів таким чином, щоб фіксатор із карабіном перебували на рівні стегна.
4. Правильно збалансуйте мотокоосу: за допомогою шестигранного ключа 4 мм звільніть кріпильний гвинт фіксатора карабіна, переміщайте фіксатор по штанзі в обох напрямках доти, поки не буде досягнуто оптимального балансування виробу.

**УВАГА!**

Балансування мотокооси виконано правильно, коли ріжучий ніж або шпуля з ліскою знаходяться на відстані 10-20 см від поверхні землі (див. малюнок 5).

малюнок 5



5. Надійно затягніть кріпильний гвинт фіксатора карабіна.

**ПРИМІТКА!**

У міру витрачання мотокоосою палива, балансування виробу буде порушуватися. У процесі роботи періодично виконуйте балансування мотокооси.

**Регулювання рукояток**

Для забезпечення комфортної роботи мотокоосою дуже важливо правильно відрегулювати положення рукояток.

Правильне положення рук при роботі мотокоосою: міцно тримаючись за обидві рукоятки, руки користувача повинні бути злегка зігнуті в ліктьовому суглобі.

**Заправка паливом****УВАГА!**

Виріб поставляється без палива в паливному бачку! Ніколи не використовуйте чистий бензин. Заливайте в паливний бачок тільки суміш бензину з маслом для двотактних двигунів у співвідношенні 25:1.

1. Підготуйте паливну суміш, використовуючи спеціальну ємність, яка входить в комплект поставки виробу. Спочатку налейте в ємність бензин, а потім масло. Добре перемішайте.
2. Ретельно очистіть (!) поверхню навколо пробки заливної горловини паливного бачка і саму пробку від забруднень, щоб не допустити потрапляння трави, частинок пилу та бруду всередину бачка.
3. Відкрутіть пробку (17) заливної горловини паливного бачка (див. малюнок 1).
4. Налийте в паливний бачок 1,25 л паливної суміші (використовуйте лійку, щоб не пролити паливо).
5. Щільно закрутіть пробку заливної горловини паливного бачка.
6. Якщо паливна суміш пролилася на корпус виробу, витріть насухо.

**Щоб не вивести двигун мотокооси з ладу:**

- Не заливайте в паливний бачок чистий бензин. Так як у мотокооси відсутня система змащування двигуна, всі внутрішні частини силового агрегату змащуються маслом зі складу паливної суміші.
- Не використовуйте бензоспирт – небезпека пошкодження гумових ущільнень двигуна.
- Не використовуйте масло для чотиритактних двигунів – вірогідність забруднення каналу виходу вихлопних газів, свічки запалювання, западання поршневих кілець.
- По можливості готуйте паливну суміш і заливайте її в паливний бачок безпосередньо перед роботою мотокоосою. Зберігання паливної суміші більше 10 діб може призвести до непридатності її у подальшому використанні.

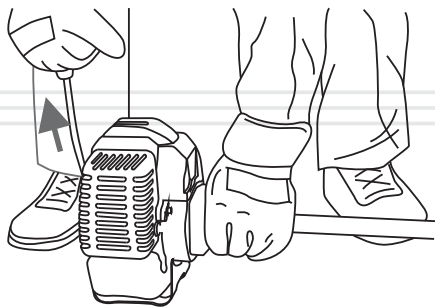
## Запуск двигуна

**УВАГА!**

Щоб уникнути течі палива з паливного бачка мотококси, не допускайте надмірних кутів нахилу виробу.

1. Переконайтеся, що ніж або шпуля з ліскою не торкаються поверхні землі або будь-яких предметів.
2. Увімкніть запалювання, встановивши вимикач (8) у положення «I» (див. малюнок 1).
3. Покладіть мотококсу на рівну поверхню. Утримуйте виріб при запуску двигуна, як показано на малюнку 6.

малюнок 6



4. Закачайте паливо в карбюратор, використовуючи ручний паливний насос "праймер". Для цього натисніть 3-5 разів на ковпачок «праймера», поки в ньому не з'явиться паливо. Якщо паливо не заповнило «праймер», натисніть на ковпачок насоса ще кілька разів.
5. Закрийте повітряну заслінку карбюратора, перевівши важіль заслінки (11) (див. малюнок 1) до упору в положення . У цьому положенні повітряної заслінки відбувається збагачення паливної суміші, що дає більш легкий запуск двигуна.
6. Приведіть у дію стартер двигуна, спочатку повільно потягніть на себе рукоятку стартера (18) (див. малюнок 1), поки не відчуєте опір, а потім поверніть рукоятку в початкове положення. Потім різко потягніть на себе рукоятку стартера (тягніть рукоятку акуратно і не до кінця, щоб не вирвати стартер). Проводьте дану процедуру до тих пір, поки двигун не запуститься.

**УВАГА!**

Тягнути рукоятку стартера слід гранично обережно, щоб не висмикнути шнур стартера. Після витягування шнура під час запуску двигуна, супроводжуйте рукою змотування шнура, щоб уникнути пошкодження стартера.

**ПРИМІТКА!**

Якщо після 5-10 спроб запустити двигун не вдалося, з'ясуйте причину (див. розділ 8 керівництва «Можливі несправності та шляхи їх усунення»), усуньте несправність і повторіть процедуру запуску.

7. Після того, як двигун буде запущений, повільно поверніть рукоятку стартера у вихідне положення.
8. Прогрійте двигун, поки не будуть встановлені нормальні стійкі оберти.
9. Після того як двигун буде прогрітий, припиніть подачу збагаченої паливної суміші, відкривши повітряну заслінку карбюратора. Для цього перемістіть важіль заслінки (11) (див. малюнок 1) до упору в положення . Відкривайте повітряну заслінку повільно, щоб не зупинити двигун збідненою сумішшю.

**ПРИМІТКА!**



Якщо здійснюється запуск гарячого двигуна, повітряна заслінка карбюратора повинна бути у відкритому положенні.

**ПРИМІТКА!**

Під час запуску теплому двигуну (або ж коли температура навколишнього повітря вище +5°C) може знадобитися часткове збагачення паливної суміші.

**Особливості запуску холодного двигуна або при температурі навколишнього повітря нижче +5°C.**

Необхідно враховувати, що при температурі навколишнього повітря нижче +5°C запустити двигун мотококси стає важче.

1. Переконайтеся, що ніж або шпуля з ліскою не торкається поверхні землі або будь-яких предметів.
2. Увімкніть запалювання, встановивши вимикач (8) у положення «I» (див. малюнок 1).
3. Покладіть мотокоосу на рівну поверхню. Утримуйте виріб при запуску двигуна, як показано на малюнку 6.
4. Закачайте паливо в карбюратор, використовуючи ручний паливний насос "праймер". Для цього натисніть 3-5 разів на ковпачок «праймера», поки в ньому не з'явиться паливо. Якщо паливо не заповнило «праймер», натисніть на ковпачок насоса ще кілька разів.
5. Закрийте повітряну заслінку карбюратора, перевівши важіль заслінки (11) (див. малюнок 1) до упору в положення .
6. Повністю натисніть на важіль дроселя (6) (див. малюнок 1).
7. Приведіть у дію стартер двигуна, спочатку повільно потягніть на себе рукоятку стартера (18) (див. малюнок 1), поки не відчуєте опір, а потім поверніть рукоятку в початкове положення. Потім різко потягніть на себе рукоятку стартера (тягніть рукоятку акуратно і не до кінця, щоб не вирвати стартер). Проводьте дану процедуру до тих пір, поки двигун не запуститься.
8. Після того, як двигун буде запущений, повільно поверніть рукоятку стартера у вихідне положення.
9. Відразу ж після запуску двигуна відпустіть важіль дроселя.
10. Прогрійте двигун, поки не будуть встановлені нормальні стійкі оберти.
11. Після того як двигун буде прогрітий, відкрийте повітряну заслінку карбюратора. Для цього перемістіть важіль заслінки (11) (див. малюнок 1) до упору в положення . Відкривайте повітряну заслінку повільно, щоб не зупинити двигун збідненою сумішшю.

**УВАГА!**

Не слід прогрівати двигун на високих обертах, так як при цьому скорочується ресурс двигуна.

**Зупинка двигуна**

Відпустіть важіль (6) (див. малюнок 1) і дайте двигуну попрацювати на холостих обертах протягом 1-3 хвилин. Вимкніть запалювання, встановивши вимикач (8) (див. малюнок 1) у положення «0».

**Обкатка двигуна**

Новий або нещодавно відремонтований двигун мотокооси повинен

пройти обкатку протягом 5 годин. Обкатку двигуна можна здійснювати, коли штанга від'єднана від силового агрегату. Протягом усього періоду обкатки двигун повинен працювати на холостих обертах. Під час обкатки не допускайте роботи двигуна на підвищених обертах і з навантаженням, тому що від правильності обкатки залежить довговічність роботи двигуна.

**УВАГА!**

При виявленні відхилень у роботі двигуна, негайно зупиніть двигун, з'ясуйте причини несправності і виконайте заходи щодо їх усунення.

**5.2.РОБОТА****УВАГА!**

Перш ніж приступити безпосередньо до роботи мотокоосою, уважно ознайомтеся з даними керівництвом.

**Контроль перед запуском**

Огляньте мотокоосу і переконайтеся у відсутності механічних ушкоджень виробу. Перевірте надійність кріплення штанги, рукояток, захисного кожуху і ножа (шпулі з ліскою). Перевірте рівень палива в паливному бачку, при необхідності долийте до норми.

**Робота мотокоосою**

При роботі мотокоосою постійно зберігайте стійке положення ніг, надійно утримуйте мотокоосу за обидві рукоятки. Спочатку попрактикуйтесь – викосіть невелику ділянку території з рівним рельєфом.

**ОБЕРЕЖНО!**

Щоб уникнути травм, не працюйте мотокоосою без використання ранцевої жилетки.

У процесі роботи будьте гранично уважні, уникайте ударів шпулі або ножа об землю або будь-які предмети.

**Робота мотокосою з використанням шпулі з ліскою**

Для скошування трави на вільному від різних перешкод ділянці території, вздовж парканів і стін, навколо дерев, а також для скошування трави під корінь, використовуйте шпулю з ліскою.

**ПРИМІТКА!**

Скошування трави здійсніть кінчиками ліски. Ефективний результат скошування буде досягнутий тільки при повільному переміщенні ріжучої частини мотокоси в робочу зону.

Перш ніж почати роботу, відрегулюйте довжину виходу ліски зі шпулі:

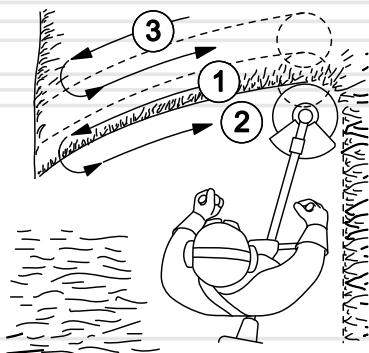
1. Встановіть максимальні оберти двигуна.
2. Нахиліть мотокосу таким чином, щоб голівка шпулі ледь притулилася до землі. При цьому ліска буде автоматично розмотуватися.
3. Утримуйте мотокосу в такому положенні, поки не буде досягнута оптимальна довжина ліски (15-17 см). Зайва ліска автоматично буде відрізана нерухомим ріжучим ножем, який розташований на захисному кожусі (23) (див. малюнок 1).

**ПРИМІТКА!**

У процесі роботи контролюйте, щоб кінці ліски, які виходять зі шпулі, мали однакову довжину.

Скошування трави на вільній від перешкод ділянці території

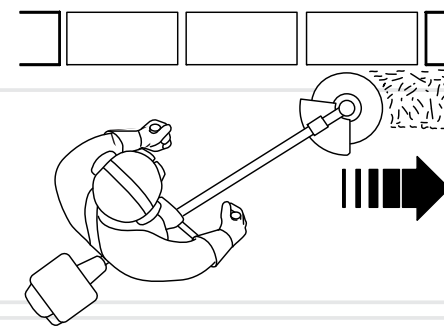
малюнок 7



При скошуванні ділянок території, на яких відсутні перешкоди, поступово ведіть мотокосу з боку в бік, намагаючись при цьому утримувати ріжучу частину виробу на одній висоті від землі. Для визначення бажаної висоти скошування, здійсніть пробне скошування. При скошуванні широких ділянок території, поділіть зону роботи на сектори.

Скошування трави вздовж перешкод

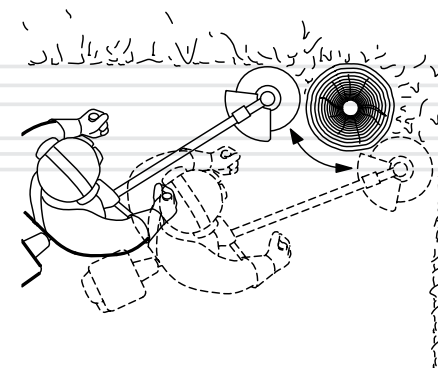
малюнок 8



При скошуванні трави на ділянках, які прилягають до огорож, парканів, кам'яних стін та фундаментів, мотокосу ведіть дуже повільно в напрямку, як зображено на малюнку 8, намагаючись зрізати траву якнайближче до перешкоди. При цьому намагайтеся, щоб ліска не торкалася до цих перешкод, оскільки може відбутися обрив ліски.

Скошування трави навколо дерев

малюнок 9



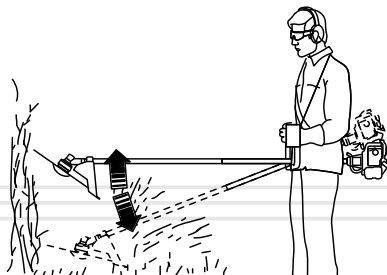
Під час обробки ділянок місцевості навколо дерев, ведіть мотокоосу дуже повільно і гранично обережно, щоб ліска не торкалася стовбура дерева і при цьому не змогла пошкодити кору. Кожне дерево обходьте зліва направо по колу (див. малюнок 9).

### Робота мотокоосою з використанням ножа

При розчищенні території від очерету, заростей бур'янів і чагарнику з діаметром стебел не більше 20 мм, використовуйте ніж.

### Зрізання очерету і чагарнику

малюнок 10



Зрізайте очерет і чагарник невеликими частинами зверху вниз, як показано на малюнку 10.

#### ОБЕРЕЖНО!

Використання мотокоосою для зрізання чагарнику, який має товщину стебел більше ніж 20 мм, може призвести до отримання травм або виходу виробу з ладу.

#### ОБЕРЕЖНО!

Під час роботи мотокоосою присутня небезпека віддачі в результаті застосування зіпсованого ножа, при випадковому попаданні ножа на сторонні тверді предмети. Внаслідок цього мотокооса може бути відкинута в напрямку, протилежному напрямку обертання ножа. Результатом цього можуть стати відсутність контролю над виробом і неконтрольоване переміщення оператора, що може призвести до важких травм.



#### ОБЕРЕЖНО!

Перед початком робіт із технічного обслуговування, завжди зупиняйте двигун перед проведенням будь-яких із зазначених у даному розділі керівництва дій. Всі дії виконуйте тільки при холодному двигуні. Зніміть ковпачок зі свічки запалювання для запобігання випадкового запуску двигуна.



#### ПРИМІТКА!

У разі виникнення труднощів при проведенні технічного обслуговування виробу, слід звернутися за допомогою до сервісного центру.

таблиця 1

## Регламент технічного обслуговування мотокози

ТИП ОБСЛУГОВУВАННЯ/ РЕКОМЕНДОВАНІ ТЕРМІНИ	Щоразу	Кожні 25 годин роботи або місяць	Кожні 50 годин роботи або 3 місяці	Кожні 100 годин роботи або рік
Мотокоза в цілому	очищення	•		
З'єднання й кріплення	перевірка	•		
	підтяжка	•		
Паливо	перевірка течі	•		
	перевірка наявності	•		
	заправка	•		
Паливний фільтр	очищення		•*	
	заміна	за необхідністю		
Паливний бак	очищення		•*	
Паливопровід	перевірка	•		
	заміна	за необхідністю		
Карбюратор	регулювання	за необхідністю		
Фільтруючий елемент повітряного фільтра	перевірка стану	•		
	очищення		•*	
	заміна			•*
Ручний стартер	перевірка	•		
Ніж / шпуля	перевірка стану	•		
	заправка ліски в шпулю	за необхідністю		
	заміна	за необхідністю		
Свічка запалювання	перевірка зазору, чищення		•*	
	заміна			•*
Елементи управління виробом	перевірка	•		
Конічний редуктор	очищення та змащування		•	

\* - рекомендується частіше обслуговування при використанні мотокози в забруднених умовах.

**ПРИМІТКА!**

Проводячи технічне обслуговування суворо за регламентом, Ви збільшите термін служби виробу в декілька разів.

**Щоденне обслуговування**

Після кожного використання мотокози огляньте ззовні виріб на предмет виявлення несправностей і пошкоджень, течі палива, при виявленні – усуньте причини несправностей. Перевірте і при необхідності підтягніть всі кріпильні елементи мотокози. Видаліть з усіх частин і деталей виробу траву, пил і бруд, очистіть вентиляційні отвори на корпусі силового агрегату, а також перевірте чистоту повітряного фільтра і, якщо необхідно, очистіть його.

У разі надмірного забруднення частин і деталей мотокози, протріть їх спеціальним розчином для чищення.

**Заміна ліски в шпулі**

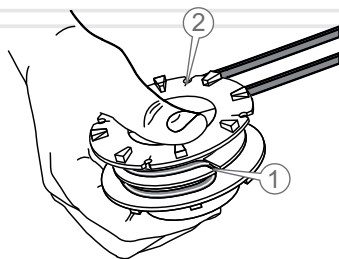
1. Зупиніть двигун.
2. Відкрутіть шпулю (шпуля має ліву різьбу).
3. Зніміть кришку шпулі та вийміть котушку.
4. Видаліть із котушки залишки ліски (пошкоджену ліску).
5. Візьміть нову нейлонову ліску діаметром 2,4 мм та довжиною не більше 6 м.

**УВАГА!**

Не намотуйте ліску на котушку більше норми!

6. Складіть ліску навпіл.
7. Протягніть ліску на місці вигину в проріз (1) на котушці (див. малюнок 11). Акуратно намотайте ліску на котушку за годинниковою стрілкою.

малюнок 11



8. Протягніть кінці ліски в прорізи (2) на котушці і потім в отвори на корпусі шпулі. Довжина виходу ліски зі шпулі повинна становити не більше 15-17 мм.
9. Акуратно і правильно зберіть шпулю, надійно закрийте кришку.
10. Переконайтеся в працездатності шпулі.

### Повітряний фільтр

Брудний повітряний фільтр може стати причиною появи проблем під час запуску двигуна, призвести до втрати потужності, несправної роботи двигуна і вкрай скоротити термін служби силового агрегату.



### УВАГА!

Заборонено працювати мотокосою, якщо на виробі не встановлений повітряний елемент або з ненадійно закріпленою кришкою фільтра.

Для очищення фільтруючого елемента повітряного фільтра використовуйте мильну воду або негорючий розчинник.

Повітряний фільтр необхідно міняти вчасно. Бруд і пил, які проникають через повітряний фільтр, завдають великої шкоди двигуну і тим самим скорочують термін його служби в кілька разів.

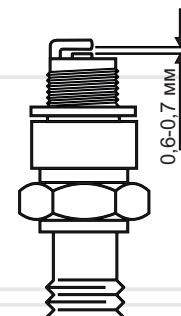
### Свічка запалювання



#### ПРИМІТКА!

Для правильної роботи двигуна на свічці запалювання не повинно бути забруднень, зазор між електродами повинен бути 0,60 - 0,70 мм.

малюнок 12



Необхідно регулярно чистити і перевіряти працездатність свічки запалювання. Несправна і брудна свічка, або якщо свічка має нагар, стає причиною важкого запуску і поганої роботи двигуна мотокози.



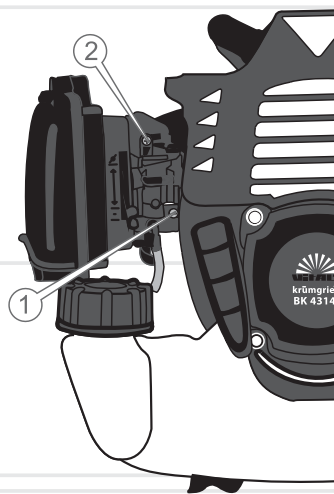
#### ПРИМІТКА!

Не виключено, що під час першого запуску двигуна, а також у процесі обкатки двигуна мотокози може знадобитися точна настройка карбюратора.

### Карбюратор

Карбюратор відрегульований на заводі-виробнику при випробуванні мотокози. Таке регулювання карбюратора повинно зберігатися протягом всього періоду обкатки двигуна (в межах 5 годин роботи). Після обкатки двигуна може виникнути необхідність виконати точне регулювання карбюратора.

малюнок13



1. Регулювальний гвинт подачі палива.
2. Регулювальний гвинт холостого ходу.

### Регулювання карбюратора (див. малюнок 13)

1. Зупиніть двигун.
2. Поверніть регулювальні гвинти подачі палива і холостого ходу по ходу годинникової стрілки до упору. Не прикладайте зусиль при обертанні гвинтів.
3. Повільно поверніть регулювальний гвинт подачі палива проти ходу годинникової стрілки на  $2,5 \pm 0,5$  обертів.
4. Повільно поверніть регулювальний гвинт холостого ходу проти ходу годинникової стрілки на  $13 \pm 1$  обертів.
5. Запустіть двигун і прогрійте його протягом 2-5 хвилин на холостих обертах.
6. За допомогою важеля дроселя встановіть максимальні оберти двигуна. Переконайтеся в плавності переходу двигуна від режиму холостого ходу до режиму максимальних обертів. Якщо двигун не набирає максимальних обертів або робота двигуна нестійка, здійсніть точне регулювання карбюратора: повільно повертайте регулювальний гвинт подачі палива в обидві сторони (максимум на 0,5 обертів), поки двигун не набере максимальні стійкі оберти.

### УВАГА!

Забороняється встановлювати максимальну частоту обертів двигуна, відмінну від максимальної частоти, яка вказана в розділі 3 даного керівництва, так як це призведе до виходу двигуна з ладу.

### ПРИМІТКА!

Регулювання карбюратора необхідно виконувати в спеціалізованому сервісному центрі або у кваліфікованих фахівців.

### Паливний фільтр і паливний бак

Рекомендується здійснювати чистку паливного фільтра і паливного бачка кожні 25 годин роботи виробу, або кожен місяць (який термін настане швидше). Якщо виникає така необхідність, то інтервал обслуговування можна скоротити. Дані заходи дозволять збільшити термін служби паливної системи мотокоси.

Чистку паливного фільтра і паливного бачка необхідно здійснювати бензином.

### УВАГА!

Заборонено працювати мотокосою, якщо паливний фільтр забруднений або пошкоджений.

### Паливопровід

Паливопровід виготовлений із гумотехнічних виробів, які піддаються механічним впливам і впливу навколишнього середовища. Це не означає, що паливопровід виконаний із матеріалу поганої якості. У кожного матеріалу є свій термін експлуатації і йому притаманні властивості старіння. Для запобігання можливого витoku палива слід проводити своєчасну перевірку стану паливопроводу і, якщо це необхідно, його своєчасну заміну.



**Змащування кінчного редуктора**

Кінчний редуктор на заводі-виробнику заповнений необхідною кількістю мастила. Проте, щоб редуктор не вивести з ладу, дуже важливо кожен місяць (через кожні 50 годин роботи мотокоси) здійснювати чистку його від пилу і бруду, а також змащення робочих частин редуктора. Для змащування редуктора використовуйте консистентне мастило, яка застосовується в трансмісіях або для змащування шестерних передач.

**УВАГА!**

Якщо Ви будете експлуатувати мотокосу без мастила (недостатній кількості мастила, забрудненому мастилі) в кінчному редукторі, то редуктор вийде з ладу.

**ПРИМІТКА!**

Якщо у Вас виникають будь-які труднощі в процесі змащування редуктора, зверніться до сервісного центру.

**Перевірка справності елементів управління**

Перш ніж приступити до роботи мотокосою, обов'язково перевірте елементи управління на відсутність пошкодження: важіль дроселя, кнопку фіксації важеля дроселя, вимикач запалювання, клавішу, яка запобігає випадковому натисканню важеля дроселя, важіль повітряної заслінки карбюратора, ковпачок «праймера».

**Транспортування****УВАГА!**

Заборонено переносити і транспортувати мотокосу із запущеним двигуном.

Транспортування мотокоси допускається всіма видами транспорту, які забезпечують її схоронність, відповідно до загальних правил перевезень.

Подбайте про те, щоб не пошкодити виріб під час транспортування. Не розміщуйте на мотокосі важкі предмети.

При зміні робочого місця зупиніть двигун. Переносьте виріб, використовуючи ранцеву жилетку. Можна також переносити мотокосу, утримуючи її за штангу в рівноважному положенні.

**УВАГА!**

Щоб уникнути течі палива, перш ніж транспортувати мотокосу, злийте паливо з паливного бачка.

Під час вантажно-розвантажувальних робіт і транспортування мотокоса не повинна підлягати ударам і впливу атмосферних опадів.

Розміщення і кріплення виробу в транспортних засобах повинні забезпечувати стійке положення мотокоси і відсутність можливості її переміщення під час транспортування.

Допустимі умови транспортування мотокоси: температура навколишнього повітря від -15°C до +55°C, відносна вологість повітря до 90%.

**Зберігання**

Зберігання виробу рекомендується в приміщенні, яке добре провітрюється, при температурі від -15°C до +55°C і відносній вологості повітря не більше 90%.

## При підготовці виробу до зберігання:

1. Злийте паливо з паливного бачка.
2. Видаліть накопичене з часом масло, пил, бруд і траву із силового агрегату виробу, штанги, захисного кожуху, ножа і шпулі.
3. Від'єднайте ніж або шпулю з ліскою.
4. Змастіть маслом всі металеві частини виробу.
5. Затягніть всі болти, гвинти і гайки.

**УВАГА!**

Зберігати виріб в одному приміщенні з горючими речовинами, кислотами, лугами, мінеральними добривами та іншими агресивними речовинами забороняється.

## Утилізація

Не викидайте мотокошу в контейнер із побутовими відходами! Мотокоса, яка відслужила свій термін експлуатації, а також оснащення та упаковка повинні здаватися на утилізацію і переробку.

Інформацію про утилізацію Ви можете отримати в місцевій адміністрації.

МОЖЛИВІ НЕСПРАВНОСТІ  
ТА ШЛЯХИ ЇХ УСУНЕННЯ

ОПИС НЕСПРАВНОСТІ	Можлива причина	Шляхи усунення
Двигун не запускається	Відсутнє паливо в паливному бачку	Залийте паливо в паливний бачок
	Забруднене паливо, наявність води в паливній суміші	Замініть паливо
	Забруднена, залита паливом або несправна свічка запалювання	Очистіть, висушіть або замініть свічку запалювання
	Паливо не надходить до карбюратора	Зверніться до сервісного центру
	Залита невідповідна вимогам керівництва паливна суміш	Замініть паливну суміш
	Вимикач запалювання в положенні «0» (викл.)	Увімкніть запалювання
	Не відрегульований карбюратор	Відрегулюйте
	Забруднений/зношений паливний фільтр	Очистіть/замініть
	Відкрита повітряна заслінка при холодному двигуні	Закрийте повітряну заслінку
	Двигун гарячий, повітряна заслінка закрита	Відкрийте повітряну заслінку
Недостатня потужність	Двигун вийшов із ладу	Зверніться до сервісного центру
	Не відрегульований карбюратор	Відрегулюйте
	Забруднена паливна суміш	Замініть паливну суміш
	Забруднений повітряний фільтр	Очистіть повітряний фільтр
	Свічка запалювання відпрацювала свій ресурс	Замініть свічку запалювання

ОПИС НЕСПРАВНОСТІ	Можлива причина	Шляхи усунення
Недостатня потужність	Залита невідповідна вимогам керівництва паливна суміш	Замініть паливну суміш
	Закрита повітряна заслінка карбюратора	Відкрийте повітряну заслінку
	Двигун перегрітий	Зупиніть двигун, дайте йому повністю охолонути
	Намотана трава на шпindel конічного редуктора	Зупиніть двигун, очистіть шпindel від трави
Ніж (шпуля з ліскою) не обертається	Конічний редуктор пошкоджений	Зверніться до сервісного центру
	Відцентрове зчеплення вийшло з ладу	Зверніться до сервісного центру
Низька ефективність роботи виробу	Зі шпулі виходить недостатня кількість ліски	З'ясуйте причину, усуньте недолік
	Ніж затуплений	Замініть
Підвищена вібрація	Вийшов із ладу конічний редуктор	Зверніться до сервісного центру
	Зношені підшипники	Зверніться до сервісного центру
	Не відрегульований карбюратор	Відрегулюйте
	Ніж пошкоджений	Замініть
	Шпуля розбалансована	Замініть
Ліска не виходить зі шпулі	У шпулі відсутня ліска	Заправте ліску в шпулю
	Заплуталася ліска на катушці	Розплутайте
	Шпуля забруднена	Очистіть
	Ліска злипла від надмірного нагрівання в ході роботи	Замініть ліску
	Неправильно намотана ліска на катушку	Правильно намотайте ліску на катушку

Гарантійний термін експлуатації мотокос «Vitals» ВК 4314о и ВК 4919о становить 1 (один) рік із зазначеної в гарантійному талоні дати роздрібного продажу.

Споживач має право на безкоштовне гарантійне усунення несправностей, виявлених і пред'явлених у період гарантійного терміну і обумовлених виробничими і конструктивними факторами.

Гарантійне усунення несправностей проводиться шляхом ремонту або заміни пошкоджених частин агрегату в сертифікованих сервісних центрах. У зв'язку зі складністю конструкції ремонт може тривати більше двох тижнів. Причину виникнення несправностей і терміни їх усунення визначають фахівці сервісного центру.

**ПРИМІТКА!**

Виріб приймається на гарантійне обслуговування тільки в повній комплектності, ретельно очищений від пилу і бруду.

**Гарантійні зобов'язання втрачають своє значення у наступних випадках:**

- Відсутність або нечитабельність гарантійного талону.
- Неправильне заповнення гарантійного талону, відсутність у ньому дати продажу або печатки (штампу) і підпису продавця, серійного номеру виробу.
- Наявність виправлень або підчисток у гарантійному талоні.
- Повна або часткова відсутність, нечитабельність серійного номеру на виробі, невідповідність серійного номеру виробу номеру, вказаному в гарантійному талоні.

- Недотримання правил експлуатації, наведених у керівництві з експлуатації.
- Експлуатація несправного або некомплектного виробу, що стала причиною виходу виробу з ладу.
- Попадання всередину пристрою сторонніх речовин або предметів.
- Причиною несправності, що виникла, стало застосування нестандартних або неякісних витратних і комплектуючих матеріалів.
- Виріб має значні механічні або термічні ушкодження, явні сліди недбалих експлуатації, зберігання або транспортування.
- Виріб використовувався не за призначенням.
- Здійснювалися несанкціонований ремонт, розкриття або спроба модернізації виробу споживачем або третіми особами.
- Несправність виникла в результаті стихійного лиха (пожежа, повінь, ураган і т. п.).

Замінені по гарантії деталі та вузли переходять у розпорядження сервісного центру.

При здійсненні гарантійного ремонту гарантійний термін збільшується на час перебування товару в ремонті. Відлік доданого терміну починається з дати приймання виробу в гарантійний ремонт.

У разі, якщо з технічних причин ремонт виробу неможливий, сервісний центр видає відповідний акт, на підставі якого користувач самостійно вирішує питання з організацією-постачальником про заміну виробу або повернення грошей.

Після закінчення гарантійного терміну сервісні центри продовжують здійснювати обслуговування та ремонт виробу, але вже за рахунок споживача.

Гарантійні зобов'язання не поширюються на несправності, які виникли внаслідок природного зношення або перевантаження виробу.

Гарантійні зобов'язання не поширюються на комплектуючі.

Гарантійні зобов'язання не поширюються на неповноту комплектації виробу, яка могла бути виявлена при його продажу. Всі витрати на транспортування виробу несе споживач.

Право на гарантійний ремонт не є підставою для інших претензій.

## УВАЖАЕМЫЙ ПОКУПАТЕЛЬ!

Благодарим Вас за приобретение мотокосы ТМ «Vitals».

Техника ТМ «Vitals» разрабатывается по европейским стандартам качества и с использованием современных технологий.

Неправильная эксплуатация цепной электропилы и несоблюдение мер безопасности может привести к повреждению изделия или к серьезным травмам!

Данное руководство содержит всю необходимую информацию по мерам безопасности при работе цепной электрической пилой. Внимательно ознакомьтесь с руководством перед началом эксплуатации изделия.

Пожалуйста, предоставьте другим пользователям данное руководство, прежде чем они начнут эксплуатацию изделия. Данное руководство необходимо хранить для последующего его использования.

Мы постоянно работаем над усовершенствованием своей продукции и, в связи с этим, оставляем за собой право на внесение изменений во внешний вид, оснащение и технологию производства, не изменяя основных принципов управления, без уведомления потребителя. Все возможные изменения будут направлены только на улучшение и модернизацию изделия.

## ЗНАЧЕНИЕ КЛЮЧЕВЫХ СЛОВ



### ОСТОРОЖНО!

Обозначает потенциально опасные ситуации, которых следует избегать, в противном случае может возникнуть опасность для жизни и здоровья.



### ВНИМАНИЕ!

Обозначает потенциально опасные ситуации, которые могут привести к легким травмам или к поломке изделия.



### ПРИМЕЧАНИЕ!

Отмечает важную дополнительную информацию.

Мотокосы «Vitals» **ВК 4314о** и **ВК 4919о** представляют собой ручные моторизованные изделия с верхним расположением двигателя внутреннего сгорания. Данные изделия имеют современный дизайн, экономичны, надежны в работе, просты в обращении и обслуживании.

Мотокосы «Vitals» ВК 4314о и ВК 4919о предназначены для скашивания травы на небольших площадях, в неподходящих для эффективной работы колесной газонокосилки местах (около деревьев, кустов, заборов, столбов) или на местности, имеющей неровный рельеф со склонами, а также для срезания сорняка, камыша и кустарника, с диаметром стволов не более 20 мм.

По своей конструкции мотокосы относятся к простым классическим механизмам (силовой агрегат, вал, конический редуктор, шпindelь с установленным на нем ножом или шпулей с леской). Принцип действия изделия предельно прост: вращательное движение от двигателя внутреннего сгорания передается на вал. Конический редуктор осуществляет механическую передачу крутящего момента от вала на шпindelь, на котором закреплен нож или шпуля с леской.

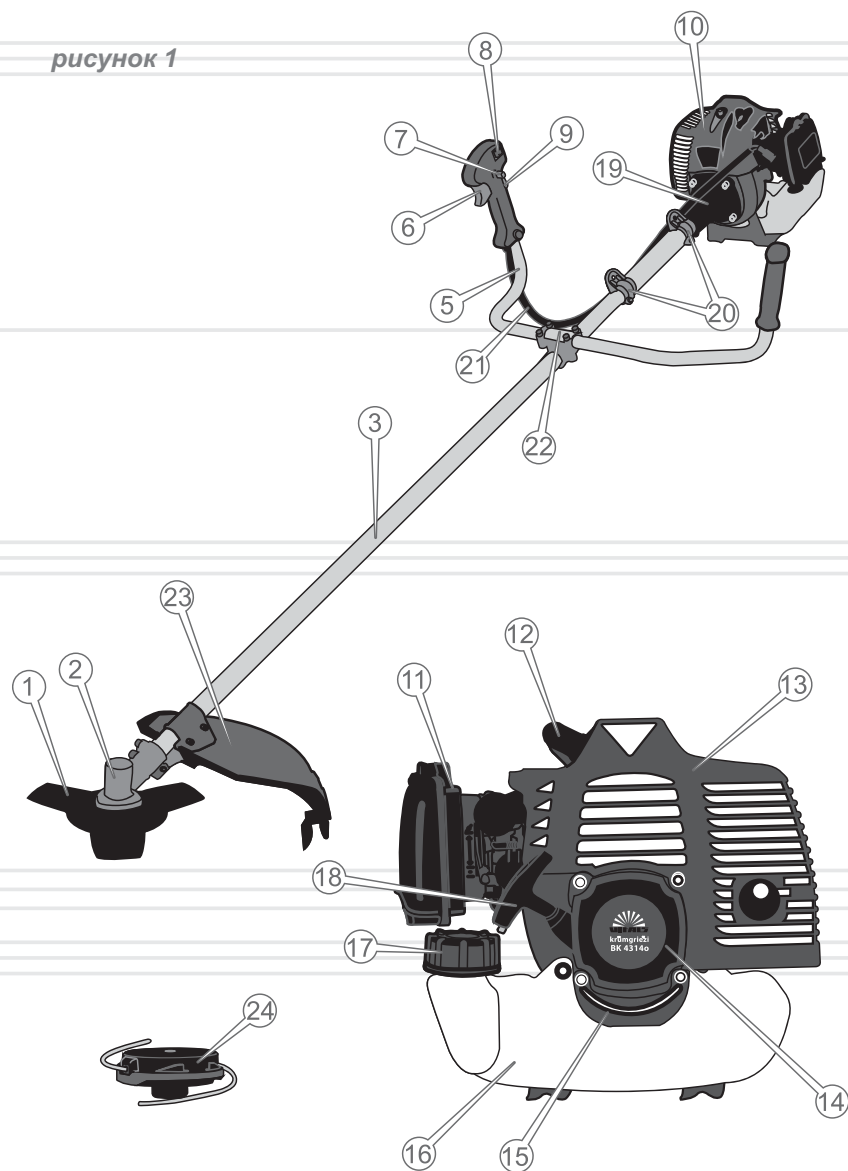
#### Отличительные особенности мотокос «Vitals»:

- Хромированный цилиндр. Продолжительный срок службы цилиндра достигается благодаря увеличению износостойкости трущейся пары цилиндр - поршневые кольца.
- Низкий уровень вибрации.
- Усиленный ручной стартер (с двумя литыми зубцами).
- Топливоподкачивающий насос «праймер» (для облегчения запуска двигателя мотокосы), при помощи которого обеспечивается предварительная подкачка топлива. Благодаря этому пуск двигателя осуществляется гораздо быстрее.
- Комфортные ручки.
- Эргономичная раздельная рукоятка, состоящая из двух частей, допускающая регулировку одной части независимо от другой.

- Цельная металлическая штанга.
- Металлическая защита топливного бачка.
- Эргономичная ранцевая жилетка.
- Большой пластиковый защитный кожух с ножом.
- Шпуля с леской и трехлепестковый нож в комплекте.

Описание основных компонентов мотокосы представлено ниже.

рисунок 1



1. Нож
2. Конический редуктор
3. Штанга
4. Левая рукоятка
5. Правая рукоятка
6. Рычаг дросселя
7. Кнопка фиксации рычага дросселя
8. Выключатель зажигания
9. Клавиша, предохраняющая от случайного нажатия рычага дросселя
10. Крышка воздушного фильтра
11. Рычаг воздушной заслонки карбюратора
12. Колпачок свечи зажигания
13. Крышка глушителя
14. Крышка стартера
15. Металлическая защита топливного бачка
16. Топливный бачок
17. Пробка топливного бачка
18. Рукоятка стартера
19. Стыковочный узел с центробежным сцеплением
20. Фиксаторы ранцевой жилетки
21. Гофрированная труба с тросом управления дросселем и силовым проводом
22. Кронштейн
23. Защитный кожух с неподвижным режущим ножом
24. Шпуля

1. Мотокоса (силовой агрегат, штанга со стыковочным узлом и коническим редуктором)
2. Раздельные рукоятки
3. Емкость для приготовления топливной смеси
4. Свечной ключ 17x19 мм
5. Ключ 8x10 мм
6. Шестигранный ключ 4 мм
7. Шестигранный ключ 5 мм
8. Комплект крепежных винтов
9. Ранцевая жилетка
10. Отвертка
11. Шпуля с леской
12. Трехлепестковый нож
13. Воронка
14. Сетка-фильтр для заправки топлива
15. Защитный кожух
16. Штанга с коническим редуктором и стыковочным узлом
17. Неподвижный режущий нож
18. Руководство по эксплуатации
19. Упаковка

**ПРИМЕЧАНИЕ!**

Завод-изготовитель оставляет за собой право вносить во внешний вид, конструкцию и комплект поставки мотокосяки незначительные изменения, не влияющие на работу изделия.

МОДЕЛЬ	БК 4314o	БК 4919o
Тип двигателя	бензиновый двухтактный воздушного охлаждения	
Тип топлива	смесь бензина с маслом для двухтактных двигателей 25:1	
Рабочий объем двигателя, куб. см	42,7	49,0
Мощность, кВт/л.с.	1,4 / 1,9	1,85 / 2,5
Максимальная частота, об/мин	9500	
Объем топливного бака, л	1,25	
Диаметр скашивания леской, мм	430	
Диаметр скашивания ножом, мм	255	
Диаметр лески, мм	2,4	
Габариты упаковки (ДхШхВ), мм	30x27x30 / 165x11x11	
Масса нетто, кг	9,0	
Масса брутто, кг	9,5	



## 4.1. ВАЖНАЯ ИНФОРМАЦИЯ ПО БЕЗОПАСНОСТИ

Перед началом работы мотокосой внимательно ознакомьтесь с требованиями по технике безопасности и предупреждениями, изложенными в данном руководстве.

Большинство травм во время эксплуатации изделия возникает в результате несоблюдения основных положений правил техники безопасности. Травм можно избежать, если строго соблюдать меры предосторожности и заблаговременно предусмотреть потенциальную опасность.

Ни при каких обстоятельствах не используйте изделие способом или в целях, не предусмотренных данным руководством.

Неправильная эксплуатация изделия или эксплуатация необученным человеком может привести к несчастному случаю.

**ОСТОРОЖНО!**

**Запрещается эксплуатация изделия неподготовленными к работе людьми.**



## 4.2. БЕЗОПАСНОСТЬ ЭКСПЛУАТАЦИИ

1. НЕ РАЗРЕШАЙТЕ ПОЛЬЗОВАТЬСЯ ИЗДЕЛИЕМ ДЕТЯМ И ЛИЦАМ С ОГРАНИЧЕННЫМИ ВОЗМОЖНОСТЯМИ.
2. НЕ ДОВЕРЯЙТЕ МОТОКОСУ ПОДРОСТКАМ МОЛОЖЕ 18 ЛЕТ, ЗА ИСКЛЮЧЕНИЕМ УЧЕНИКОВ СТАРШЕ 16 ЛЕТ, ОБУЧАЮЩИХСЯ РАБОТЕ МОТОКОСОЙ ПОД ПРИСТАЛЬНЫМ ПРИСМОТРОМ ИНСТРУКТОРОВ.
3. БУДЬТЕ ПОЛНОСТЬЮ СКОНЦЕНТРИРОВАНЫ НА РАБОТЕ.  
Не отвлекайтесь во время работы мотокосой, так как это может вызвать потерю контроля и стать причиной получения травм различной степени тяжести.

4. НЕ ВКЛЮЧАЙТЕ И НЕ ЭКСПЛУАТИРУЙТЕ ИЗДЕЛИЕ В СЛУЧАЕ БОЛЕЗНИ, В СОСТОЯНИИ УТОМЛЕНИЯ, НАРКОТИЧЕСКОГО ИЛИ АЛКОГОЛЬНОГО ОПЬЯНЕНИЯ, А ТАКЖЕ ПОД ВОЗДЕЙСТВИЕМ СИЛЬНОДЕЙСТВУЮЩИХ ЛЕКАРСТВЕННЫХ ПРЕПАРАТОВ, СНИЖАЮЩИХ СКОРОСТЬ РЕАКЦИИ И ВНИМАНИЕ.
5. СЛЕДИТЕ ЗА ЦЕЛОСТНОСТЬЮ И ИСПРАВНОСТЬЮ ИЗДЕЛИЯ.  
Перед началом работы мотокосой проверьте исправность ножа или шули с леской, защитного кожуха, выключателя зажигания, глушителя и клавиши блокировки рычага дросселя. Не включайте и не эксплуатируйте изделие при наличии повреждений, с ненадежно закрепленными частями и деталями.  
Все предусмотренные конструкцией составляющие и защитные элементы должны быть на штатных местах.
6. НАДЕВАЙТЕ СООТВЕТСТВУЮЩУЮ ОДЕЖДУ И ОБУВЬ ПРИ РАБОТЕ ИЗДЕЛИЕМ.  
Работая изделием, надевайте облегающую одежду и застегните все пуговицы. Надевайте прочные защитные сапоги или ботинки с закрытым носком и с нескользящей подошвой. Всегда используйте средства защиты лица и глаз (вентилируемую маску, очки), а также органов слуха (наушники, беруши). Для защиты рук используйте плотные перчатки или рукавицы. Обязательно надевайте головной убор.
7. НЕ ПРИСТУПАЙТЕ К РАБОТЕ БЕЗ ПРЕДВАРИТЕЛЬНОЙ ТРЕНИРОВКИ.
8. ПРОВЕРЬТЕ ТЕРРИТОРИЮ, НА КОТОРОЙ ВЫ ПЛАНИРУЕТЕ РАБОТАТЬ, НА НАЛИЧИЕ ПОСТОРОННИХ ПРЕДМЕТОВ: КАМНЕЙ, МЕТАЛЛА, СТЕКЛА, ПЛАСТМАССОВЫХ И ДЕРЕВЯННЫХ ПРЕДМЕТОВ.
9. НЕ ДОПУСКАЙТЕ ПРИСУТСТВИЯ ПОСТОРОННИХ ЛЮДЕЙ И ЖИВОТНЫХ В ЗОНЕ ПРОВЕДЕНИЯ РАБОТ (В РАДИУСЕ 15 МЕТРОВ).

10. ВО ВРЕМЯ ЗАПРАВКИ И ЭКСПЛУАТАЦИИ МОТОКОСЫ НЕ ДОПУСКАЙТЕ ПОПАДАНИЯ ТОПЛИВА И МАСЛА НА ЗЕМЛЮ И В СТОКИ ВОДЫ.

После заправки плотно закрутите крышку топливного бачка, проверьте, нет ли протечки. В случае утечки топлива устраните недостаток до запуска двигателя, так как это может привести к пожару. Если топливо пролилось на изделие, вытрите насухо.

11. НЕ ЗАПРАВЛЯЙТЕ ТОПЛИВО, ЕСЛИ ДВИГАТЕЛЬ ЗАПУЩЕН.

Соблюдайте максимальную осторожность при обращении с топливом, пары бензина очень опасны для здоровья. Помните, что небрежное обращение с бензином может вызвать пожар. Запрещается заправлять топливо в помещении.

12. НЕ РАБОТАЙТЕ В НЕПОСРЕДСТВЕННОЙ БЛИЗОСТИ (МЕНЕЕ 15 МЕТРОВ) ОТ МЕСТОНАХОЖДЕНИЯ ЛЕГКОВОСПЛАМЕНЯЮЩИХСЯ МАТЕРИАЛОВ.

13. ЕСЛИ ИЗДЕЛИЕ НЕ ИСПОЛЬЗУЕТСЯ, СЛЕЙТЕ ТОПЛИВО.

14. ПЕРЕД ЗАПУСКОМ ДВИГАТЕЛЯ И НАЧАЛОМ РАБОТЫ УБЕДИТЕСЬ, ЧТО НОЖ ИЛИ ШПУЛЯ С ЛЕСКОЙ СВОБОДНО ВРАЩАЮТСЯ И НЕ СОПРИКАСАЮТСЯ С ПОСТОРОННИМИ ПРЕДМЕТАМИ.

15. НЕ РАБОТАЙТЕ МОТОКОСОЙ В ДОЖДЬ И СНЕГ, ПРИ СИЛЬНОМ ВЕТРЕ, В УСЛОВИЯХ ОГРАНИЧЕННОЙ ВИДИМОСТИ.

Не мойте изделие и не лейте на него воду. Если мотокоса каким-то образом намочила, насухо вытрите корпус. Если вода попала внутрь корпуса, немедленно отключите изделие. Не пытайтесь сами вскрывать изделие – обратитесь в сервисный центр.

16. НЕ ДОТРАГИВАЙТЕСЬ ДО ВРАЩАЮЩИХСЯ ДЕТАЛЕЙ ИЗДЕЛИЯ.

Не подносите руки, пальцы и другие части тела к движущимся частям мотокосы.

17. В ПРОЦЕССЕ РАБОТЫ КРЕПКО УДЕРЖИВАЙТЕ МОТОКОСУ В ОБЕИХ РУКАХ, НИКОГДА НЕ КОСИТЕ, ДЕРЖА ИЗДЕЛИЕ ОДНОЙ РУКОЙ.

18. В СЛУЧАЕ ЕСЛИ ВО ВРЕМЯ РАБОТЫ ПРОИЗОШЛО СОПРИКОСНОВЕНИЕ НОЖА С МЕТАЛЛОМ, КАМНЯМИ И ДРУГИМИ ТВЕРДЫМИ ПОСТОРОННИМИ ПРЕДМЕТАМИ, НЕМЕДЛЕННО ОСТАНОВИТЕ ДВИГАТЕЛЬ И ПРОВЕДИТЕ ОСМОТР НОЖА НА ОТСУТСТВИЕ ПОВРЕЖДЕНИЯ.

19. ПРИ ЗАМЕНЕ НОЖА, ЛЕСКИ ИЛИ УБОРКЕ СКОШЕННОЙ ТРАВЫ, ОБЯЗАТЕЛЬНО ОСТАНОВИТЕ ДВИГАТЕЛЬ.

20. НЕ РАБОТАЙТЕ МОТОКОСОЙ С ЗАТУПИВШИМСЯ НОЖОМ И НЕИСПРАВНОЙ ШПУЛЕЙ С ЛЕСКОЙ, ТАК КАК ПРИ ЭТОМ ПОВЫШАЕТСЯ ВЕРОЯТНОСТЬ ПОЛУЧЕНИЯ ТРАВМЫ.

Следите за состоянием ножа и шпули. Не устанавливайте на изделие нож или шпулю с леской, имеющие повреждения. Не используйте армированную леску, металлическую проволоку, электрический провод, трос или спицу вместо лески, а также ножи заводского изготовления.

21. НЕ ПЕРЕГРУЖАЙТЕ И НЕ ПЕРЕГРЕВАЙТЕ ДВИГАТЕЛЬ МОТОКОСЫ, ЧЕРЕДУЙТЕ РАБОТУ С ОТДЫХОМ.

22. НЕ ОСТАВЛЯЙТЕ ИЗДЕЛИЕ ВКЛЮЧЕННЫМ БЕЗ ПРИСМОТРА.

23. ОЧИЩАЙТЕ ПОВЕРХНОСТИ МОТОКОСЫ ОТ ПЫЛИ, ГРЯЗИ СРАЗУ ЖЕ ПО ОКОНЧАНИИ РАБОТЫ.

24. ТЕХОБСЛУЖИВАНИЕ И ХРАНЕНИЕ МОТОКОСЫ ОСУЩЕСТВЛЯЙТЕ ТОЛЬКО В СООТВЕТСТВИИ С ТРЕБОВАНИЯМИ ДАННОГО РУКОВОДСТВА ПО ЭКСПЛУАТАЦИИ.

25. НЕ ИСПОЛЬЗУЙТЕ ИЗДЕЛИЕ НЕ ПО НАЗНАЧЕНИЮ.

26. НЕ ОСУЩЕСТВЛЯЙТЕ НЕСАНКЦИОНИРОВАННЫЙ РЕМОНТ, ВСКРЫТИЕ КОМПОНЕНТОВ ЛИБО ПОПЫТКУ МОДЕРНИЗАЦИИ ИЗДЕЛИЯ.

27. НЕ РАБОТАЙТЕ РАЗБАЛАНСИРОВАННЫМИ НОЖОМ И ШПУЛЕЙ, ТАК КАК ЭТО ПРИВЕДЕТ К ПОВЫШЕННОЙ ВИБРАЦИИ И ВОЗМОЖНОМУ ВЫХОДУ МОТОКОСЫ ИЗ СТРОЯ.

**ВНИМАНИЕ!**

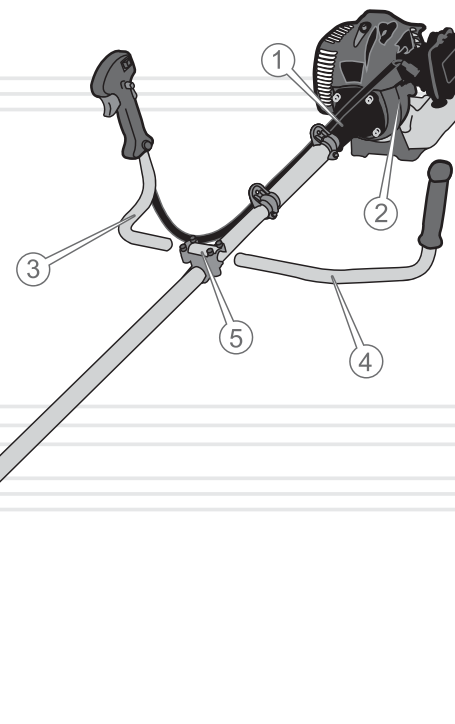
Следите за исправностью изделия. В случае отказа в работе, появления сильного стука, шума, искр и пламени необходимо немедленно отключить изделие и обратиться в сервисный центр.

**ПРИМЕЧАНИЕ!**

Данное руководство не может учесть всех случаев, которые могут возникнуть в реальных условиях эксплуатации мотокосы. Поэтому при работе с изделием руководствуйтесь здравым смыслом, соблюдайте предельное внимание и аккуратность.

**5.1. ПОДГОТОВКА К РАБОТЕ****Подсоединение штанги к силовому агрегату**

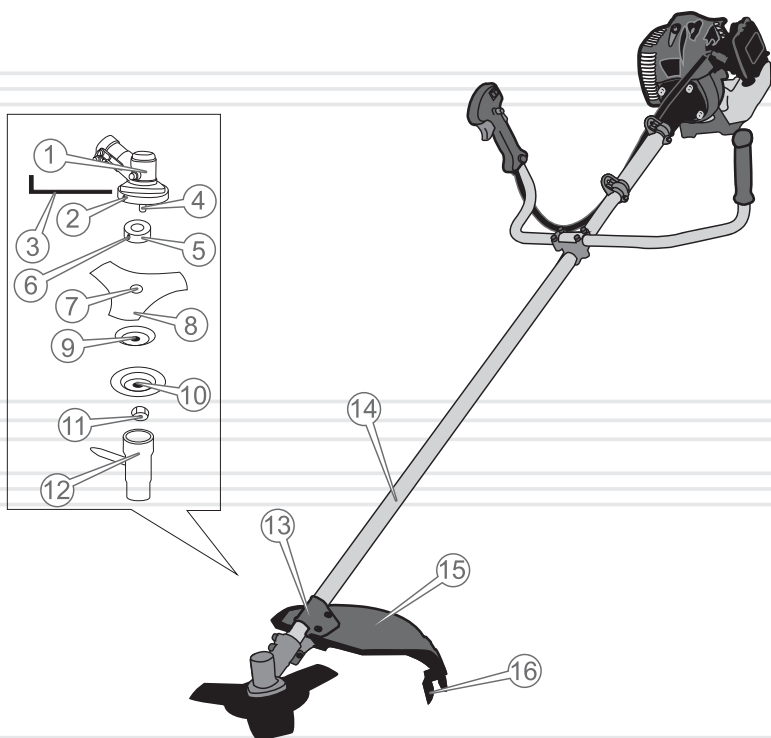
1. Аккуратно извлеките из упаковки силовой агрегат, штангу со стыковочным узлом и коническим редуктором, а также комплектные принадлежности.
2. Осмотрите мотокосу на предмет целостности, исправности и легкости хода подвижных частей изделия.
3. Установите силовой агрегат на чистую ровную поверхность.
4. Аккуратно подсоедините стыковочный узел штанги (1) к силовому агрегату (2) и надежно зафиксируйте четырьмя винтами из комплекта принадлежностей, используя шестигранный ключ 5 мм (см. рисунок 2).
5. Убедитесь в надежности крепления штанги.

*рисунок 2*

**Подсоединение рукояток**

1. Используя шестигранный ключ 4 мм ослабьте четыре винта кронштейна (5) таким образом, чтобы рукоятки (3, 4) свободно входили в отверстия кронштейна (см. рисунок 2).
2. Вставьте правую (3) и левую (4) рукоятки в отверстия кронштейна до упора. Установите рукоятки в такое положение, чтобы обеспечивалось максимальное удобство при работе мотокосой.
3. Надежно затяните четыре винта кронштейна, чтобы рукоятки не проворачивались.
4. Убедитесь в надежности и удобстве крепления рукояток.

**Подсоединение защитного кожуха и неподвижного режущего ножа**  
*рисунок 3*



102

1. Установите неподвижный режущий нож (16) на защитный кожух (15) и надежно закрутите винт из комплекта принадлежностей, используя крестообразную отвертку (см. рисунок 3).
2. Открутите четыре винта фиксатора защитного кожуха (13), расположенного на штанге (14).
3. Прикрутите защитный кожух (15) к фиксатору (13) и надежно затяните четыре винта из комплекта принадлежностей, используя ключ 8 мм и шестигранный ключ 4 мм.

**ВНИМАНИЕ!**

Предусмотрено два положения установки защитного кожуха. При работе мотокосой с установленным ножом, защитный кожух расположите вплотную к коническому редуктору. При работе мотокосой с установленной на нее шпулей с леской, защитный кожух сместите вверх по штанге от конического редуктора.

4. Убедитесь в надежности фиксации защитного кожуха на штанге.

**Подсоединение ножа**

1. Наденьте на шпindel (4) конического редуктора (1) шлицевую приводную шайбу с посадочной ступенькой (5) таким образом, чтобы стопорное отверстие (2) конического редуктора совпало со стопорным отверстием (6) шлицевой приводной шайбы (см. рисунок 3).
2. Вставьте в стопорное отверстие (2) конического редуктора (1) шестигранный ключ (3), чтобы шпindel (4) не мог вращаться.
3. Наденьте на шпindel (4) нож (8) таким образом, чтобы посадочная ступенька шлицевой приводной шайбы (5) вошла в посадочное отверстие ножа (7).

**ОСТОРОЖНО!**

Запрещается устанавливать на мотокосу ножи не заводского изготовления, с меньшим или большим посадочным отверстием.

4. Наденьте на шпindel (4), тарельчатую шайбу (9), защитную тарельчатую крышку (10), и надежно закрутите фиксирующую гайку (11) при помощи ключа 19 мм (12).

103

**ПРИМЕЧАНИЕ!**

Фиксирующая гайка имеет левую резьбу.

5. Извлеките шестигранный ключ (3) из стопорного отверстия (2) конического редуктора (1).
6. Убедитесь в правильности и надежности установки ножа.

**ВНИМАНИЕ!**

Чтобы избежать травм, при установке и снятии ножа надевайте защитные рукавицы или перчатки, изготовленные из прочного материала.

**Подсоединение шпули с леской**

рисунки 4



104

**ВНИМАНИЕ!**

Перед установкой шпули убедитесь, что на катушку шпули намотано достаточное количество лески (9).  
Максимальная вместимость катушки составляет около 6 м круглой лески диаметром 2,4 мм.  
Длина выхода лески из шпули должна составлять 15-17 см.

1. Наденьте на шпindel (4) конического редуктора (1) шлицевую приводную шайбу с посадочной ступенькой (5) таким образом, чтобы стопорное отверстие (2) конического редуктора совпало со стопорным отверстием (6) шлицевой приводной шайбы (см. рисунок 4).
2. Вставьте в стопорное отверстие (2) конического редуктора (1) шестигранный ключ (3), чтобы шпindel (4) не мог вращаться.
3. Наденьте на шпindel (4), тарельчатую шайбу (7).
4. От руки навинтите на шпindel (4) шпулю (8) с леской (9).

**ПРИМЕЧАНИЕ!**

Шпуля имеет левую резьбу.

5. Извлеките шестигранный ключ (3) из стопорного отверстия (2) конического редуктора (1).
6. Убедитесь в правильности и надежности установки шпули с леской.

**Регулировка ранцевой жилетки**

Для обеспечения безопасности и удобства во время работы мотокосой очень важно правильно отрегулировать ранцевую жилетку так, чтобы мотокоса была правильно сбалансирована в рабочем положении.

**ПРИМЕЧАНИЕ!**

При правильно сбалансированной посадке ранцевой жилетки вы сможете работать без усталости долго.

105

1. Наденьте ранцевую жилетку на плечи и застегните поясной ремень.
2. Пристегните ранцевую жилетку карабином к фиксатору (20) (конструкцией изделия предусмотрено два фиксатора) (см. рисунок 1).
3. Отрегулируйте длину наплечных ремней так, чтобы фиксатор с карабином находились на уровне бедра.
4. Правильно сбалансируйте мотокоосу: при помощи шестигранного ключа 4 мм ослабьте крепежный винт фиксатора карабина, перемещайте фиксатор по штанге в обоих направлениях до тех пор, пока не будет достигнута оптимальная балансировка изделия.

**ВНИМАНИЕ!**

Балансировка мотокоосы выполнена правильно, когда режущий нож или шпуля с леской находятся на расстоянии 10-20 см от поверхности земли (см. рисунок 5).

рисунок 5



5. Надежно затяните крепежный винт фиксатора карабина.

**ПРИМЕЧАНИЕ!**

По мере израсходования мотокоосой топлива, балансировка изделия будет нарушаться. В процессе работы периодически выполняйте балансировку мотокоосы.

**Регулировка рукояток**

Для обеспечения комфортной работы мотокоосой очень важно правильно отрегулировать положение рукояток.

Правильное положение рук при работе мотокоосой: крепко держась за обе рукоятки, руки пользователя должны быть слегка согнуты в локтевом суставе.

**Заправка топливом****ВНИМАНИЕ!**

Изделие поставляется без топлива в топливном бачке! Никогда не используйте чистый бензин. Заливайте в топливный бачок только смесь бензина с маслом для двухтактных двигателей в соотношении 25:1.



1. Подготовьте топливную смесь, используя специальную емкость, прилагаемую в комплекте поставки изделия. Вначале налейте в емкость бензин, а затем масло. Хорошо перемешайте.
2. Тщательно очистите (!) поверхность вокруг пробки заливной горловины топливного бачка и саму пробку от загрязнений, чтобы не допустить попадания травы, частиц пыли и грязи вовнутрь бачка.
3. Открутите пробку (17) заливной горловины топливного бачка (см. рис. 1).
4. Налейте в топливный бачок 1,25 л топливной смеси (используйте воронку, чтобы не пролить топливо).
5. Плотнo закрутите пробку заливной горловины топливного бачка.
6. Если топливная смесь пролилась на корпус изделия, вытрите насухо.

**Чтобы не вывести двигатель мотокоосы из строя:**

- Не заливайте в топливный бачок чистый бензин. Так как в мотокоосе отсутствует система смазки двигателя, все внутренние части силового агрегата смазываются маслом из состава топливной смеси.
- Не используйте бензоспирт – опасность повреждения резиновых уплотнений двигателя.
- Не используйте масло для четырехтактных двигателей – вероятность загрязнения канала выхода выхлопных газов, свечи зажигания, западания поршневых колец.
- По возможности приготавливайте топливную смесь и заливайте ее в топливный бачок непосредственно перед работой мотокоосой. Хранение топливной смеси более 10 суток может привести к непригодности ее дальнейшего использования.

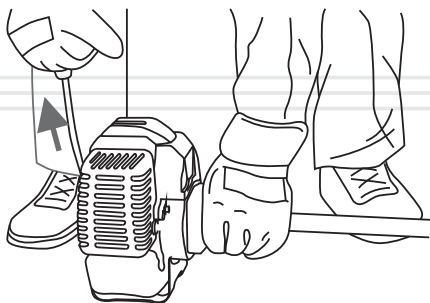
## Запуск двигателя


**ВНИМАНИЕ!**

Во избежание пролива топлива из топливного бачка мотокосы, не допускайте чрезмерных углов наклона изделия.

1. Убедитесь, что нож или шпуля с леской не соприкасаются с поверхностью земли или какими-либо предметами.
2. Включите зажигание, установив выключатель (8) в положение «I» (см. рисунок 1).
3. Уложите мотокосу на ровной поверхности. Удерживайте изделие при запуске двигателя, как показано на рисунке 6.

рисунок 6




4. Закачайте топливо в карбюратор, используя ручной топливный насос «праймер». Для этого нажмите 3-5 раз на колпачок «праймера», пока в нем не появится топливо. Если топливо не заполнило «праймер», нажмите на колпачок насоса еще несколько раз.
5. Закройте воздушную заслонку карбюратора, переведя рычаг заслонки (11) (см. рисунок 1) до упора в положение . В этом положении воздушной заслонки происходит обогащение топливной смеси, что дает более легкий запуск двигателя.
6. Приведите в действие стартер двигателя, вначале медленно потяните на себя рукоятку стартера (18) (см. рисунок 1), пока не ощутите сопротивление, а потом верните в исходное положение. Затем резко потяните на себя рукоятку стартера (тяните рукоятку аккуратно и не до конца, чтобы не вырвать стартер). Прodelывайте данную процедуру до тех пор, пока двигатель не запустится.

**ВНИМАНИЕ!**

Тянуть рукоятку стартера следует предельно осторожно, чтобы не выдернуть шнур стартера. После вытягивания шнура при пуске двигателя во избежание повреждения стартера, сопровождайте рукой сматывание шнура.

**ПРИМЕЧАНИЕ!**

Если после 5-10 попыток запустить двигатель не удалось, выясните причину (см. раздел 8 руководства «Возможные неисправности и пути их устранения»), устраните неисправность и повторите процедуру

7. После того, как двигатель будет запущен, медленно верните рукоятку стартера в исходное положение.
8. Прогрейте двигатель, пока не будут установлены нормальные устойчивые обороты.
9. После того как двигатель будет прогрет, прекратите подачу обогащенной топливной смеси, открыв воздушную заслонку карбюратора. Для этого переведите рычаг заслонки (11) (см. рисунок 1) до упора в положение . Открывайте воздушную заслонку плавно, чтобы не остановить двигатель обедненной смесью

**ПРИМЕЧАНИЕ!**

Если осуществляется запуск горячего двигателя, воздушная заслонка карбюратора должна находиться в открытом положении.

**ПРИМЕЧАНИЕ!**

При запуске теплого двигателя (или же когда температура окружающего воздуха выше +5°C) может потребоваться частичное обогащение топливной смеси.

**Особенности запуска холодного двигателя или при температуре окружающего воздуха ниже +5 °C**

Необходимо учитывать что при температуре окружающего воздуха ниже +5 °C запустить двигатель мотокосы становится труднее.

1. Убедитесь, что нож или шпуля с леской не соприкасается с поверхностью земли или какими-либо предметами.
2. Включите зажигание, установив выключатель (8) в положение «I» (см. рисунок 1).
3. Уложите мотокоосу на ровной поверхности. Удерживайте изделие при запуске двигателя, как показано на рисунке 6.
4. Закачайте топливо в карбюратор, используя ручной топливный насос «праймер». Для этого нажмите 3-5 раз на колпачок «праймера», пока в нем не появится топливо. Если топливо не заполнило «праймер», нажмите на колпачок насоса еще несколько раз.
5. Закройте воздушную заслонку карбюратора, переведя рычаг заслонки (11) (см. рисунок 1) до упора в положение .
6. Нажмите до упора на рычаг дросселя (6) (см. рисунок 1).
7. Приведите в действие стартер двигателя, вначале медленно потяните на себя рукоятку стартера (18) (см. рисунок 1), пока не ощутите сопротивление, а потом верните в исходное положение. Затем резко потяните на себя рукоятку стартера (тяните рукоятку аккуратно и не до конца, чтобы не вырвать стартер). Прodelывайте данную процедуру до тех пор, пока двигатель не запустится.
8. После того, как двигатель будет запущен, медленно верните рукоятку стартера в исходное положение.
9. Сразу же после запуска двигателя отпустите рычаг дросселя.
10. Прогрейте двигатель, пока не будут установлены нормальные устойчивые обороты.
11. После того как двигатель будет прогрет, откройте воздушную заслонку карбюратора. Для этого переведите рычаг заслонки (11) (см. рисунок 1) до упора в положение . Открывайте воздушную заслонку плавно, чтобы не остановить двигатель обедненной смесью.

**ВНИМАНИЕ!**

Не следует прогревать двигатель на высоких оборотах, так как это уменьшает ресурс двигателя.

**Остановка двигателя**

Отпустите рычаг дросселя (6) (см. рисунок 1) и дайте двигателю поработать на холостых оборотах на протяжении 1-3 минут. Выключите зажигание, установив выключатель (8) (см. рисунок 1) в положение «0»

**Обкатка двигателя**

Новый или недавно отремонтированный двигатель мотокоосы должен

пройти обкатку в течение 5 часов. Обкатку двигателя можно осуществлять при отсоединенной штанге. На протяжении всего периода обкатки двигатель должен работать на холостых оборотах. Во время обкатки не допускайте работы двигателя на повышенных оборотах и с нагрузкой, так как от правильности обкатки зависит долговечность работы двигателя.

**ВНИМАНИЕ!**

При обнаружении отклонений в работе двигателя, немедленно остановите его, выясните причины неисправности и примите меры по их устранению.

**5.2. РАБОТА****ВНИМАНИЕ!**

Прежде чем приступить непосредственно к работе мотокоосой, внимательно ознакомьтесь с данным руководством.

**Контроль перед запуском**

Осмотрите мотокоосу и убедитесь в отсутствии механических повреждений изделия. Проверьте надежность крепления штанги, рукояток, защитного кожуха и ножа (шпули с леской). Проверьте уровень топлива в топливной бачке, при необходимости долейте до нормы.

**Работа мотокоосой**

При работе мотокоосой постоянно сохраняйте устойчивое положение ног, надежно удерживайте мотокоосу за обе рукоятки. Вначале попрактикуйтесь – выкосите небольшой участок территории с ровным рельефом.

**ОСТОРОЖНО!**

Чтобы избежать травм, не работайте мотокоосой без использования ранцевой жилетки.

В процессе работы будьте предельно внимательны, избегайте ударов шпули или ножа о землю и какие-либо предметы.



**Работа мотокосой с использованием шпули с леской**

Для скашивания травы на свободном от различных преград участке территории, вдоль заборов и стен, вокруг деревьев, а также скашивания травы под корень используйте шпулю с леской.

**ПРИМЕЧАНИЕ!**

Скашивание травы осуществляйте кончиками лески. Эффективный результат скашивания будет достигнут только при плавном перемещении режущей части мотокосы в рабочую зону.

Прежде чем начать работу, отрегулируйте длину выхода лески из шпули:

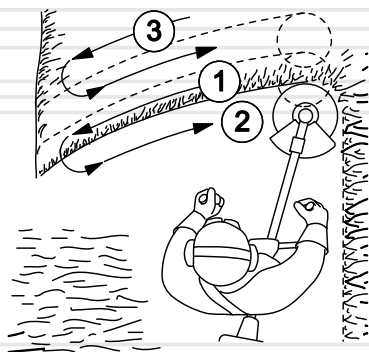
1. Установите максимальные обороты двигателя.
2. Наклоните мотокосу таким образом, чтобы головка шпули слегка прижалась к земле. При этом леска будет автоматически разматываться.
3. Удерживайте мотокосу в таком положении, пока не будет достигнута оптимальная длина лески (15-17 см). Лишняя леска автоматически будет отрезана неподвижным режущим ножом, расположенном на защитном кожухе (23) (см. рисунок 1).

**ПРИМЕЧАНИЕ!**

В процессе работы контролируйте, чтобы концы лески, выходящие из шпули, имели одинаковую длину.

Скашивание травы на свободном от преград участке территории

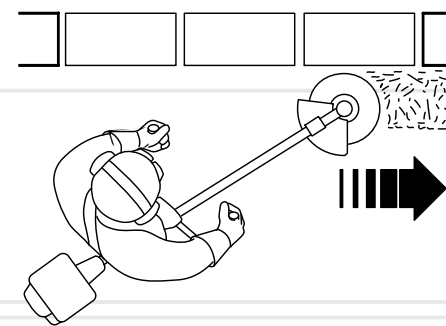
рисунок 7



При скашивании участков территории, на которых отсутствуют преграды, плавно передвигайте мотокосу из стороны в сторону, стараясь при этом удерживать режущую часть изделия на одной высоте от земли. Для определения желаемой высоты скашивания, выполните пробное скашивание. При скашивании широких участков территории, поделите зону работы на секторы.

**Скашивание травы вдоль преград**

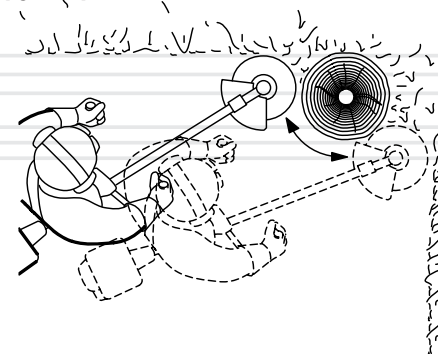
рисунок 8



При скашивании травы на участках, прилегающих к оградам, заборам, каменным стенам и фундаментам, мотокосу передвигайте очень медленно в направлении, как изображено на рисунке 8, стараясь срезать траву как можно ближе к преграде. При этом старайтесь, чтобы леска не прикасалась к этим преградам, так как может произойти обрыв лески.

**Скашивание травы вокруг деревьев**

рисунок 9



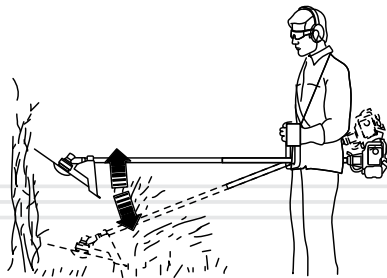
При обработке участков местности вокруг деревьев передвигайте мотокоосу очень медленно и предельно осторожно, чтобы леска не касалась ствола дерева и при этом не смогла повредить кору. Каждое дерево обходите слева направо по кругу (см. рисунок 9).

#### Работа мотокоосой с использованием ножа

При расчистке территории от камыша, зарослей сорняков и кустарника с диаметром стеблей не более 20 мм, используйте нож.

#### Срезание камыша и кустарника

рисунок 10



Срезайте камыш и кустарник небольшими частями сверху вниз, как показано на рисунке 10.

#### ОСТОРОЖНО!

Использование мотокоосы для срезания кустарника, имеющего толщину стеблей более 20 мм, может привести к получению травм или выходу изделия из строя.

#### ОСТОРОЖНО!

При работе мотокоосой присутствует опасность отдачи в результате применения испорченного ножа, при случайном попадании ножа на посторонние твердые предметы. Вследствие этого мотокооса может быть отброшена в направлении, противоположном направлению вращения ножа. Результатом из этого могут стать отсутствие контроля над изделием и неконтролируемое перемещение оператора, что может привести к тяжелым травмам.



#### ОСТОРОЖНО!

Перед началом работ по техническому обслуживанию всегда останавливайте двигатель перед проведением любой из указанных в данном разделе руководства действий. Все действия выполняйте только при холодном двигателе. Снимите колпачок со свечи зажигания для предотвращения случайного запуска двигателя.



#### ПРИМЕЧАНИЕ!

В случае возникновения трудностей при проведении технического обслуживания изделия, следует обратиться за помощью в сервисный центр.

таблица 1

Регламент технического обслуживания мотокосы

ТИП ОБСЛУЖИВАНИЯ / РЕКОМЕНДУЕМЫЕ СРОКИ		Каждый раз	Каждые 25 часов работы или месяц	Каждые 50 часов работы или 3 месяца	Каждые 100 часов работы или год
Мотокоса в целом	очистка	•			
Соединения и крепеж	проверка	•			
	подтяжка	•			
Топливо	проверка утечки	•			
	проверка наличия	•			
	заправка	•			
Топливный фильтр	очистка		•*		
	замена	при необходимости			
Топливный бак	очистка		•*		
Топливопровод	проверка	•			
	замена	при необходимости			
Карбюратор	регулировка	при необходимости			
Фильтрующий элемент воздушного фильтра	проверка состояния	•			
	очистка		•*		
	замена				•*
Ручной стартер	проверка	•			
Нож / шпуля	проверка состояния	•			
	заправка лески в шпулю	при необходимости			
	замена	при необходимости			
Свеча зажигания	проверка зазора, чистка			•*	
	замена				•*
Элементы управления изделием	проверка	•			
Конический редуктор	очистка и смазка			•	

\* - рекомендуется более частое обслуживание при использовании мотокосы в загрязненных условиях.



**ПРИМЕЧАНИЕ!**

Проводя техническое обслуживание строго по регламенту, Вы увеличиваете срок службы изделия в несколько раз.

**Ежедневное обслуживание**

После каждого использования мотокосы проведите внешний осмотр изделия на предмет обнаружения неисправностей и повреждений, потеков топлива, при обнаружении – устраните причины неисправностей. Проверьте и при необходимости подтяните все крепежные элементы мотокосы. Удалите со всех частей и деталей изделия траву, пыль и грязь, очистите вентиляционные отверстия на корпусе силового агрегата, а также проверьте чистоту воздушного фильтра и, если необходимо, очистите его.

В случае чрезмерного загрязнения частей и деталей мотокосы, протрите специальным чистящим раствором.

**Замена лески в шпуле**

1. Остановите двигатель.
2. Открутите шпулю (шпуля имеет левую резьбу).
3. Снимите крышку шпули и извлеките катушку.
4. Удалите с катушки остатки лески (поврежденную леску).
5. Возьмите новую нейлоновую леску диаметром 2,4 мм длиной не более 6 м.

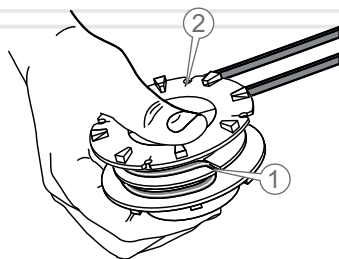


**ВНИМАНИЕ!**

Не наматывайте леску на катушку больше нормы

6. Сложите леску пополам.
7. Проденьте леску на месте изгиба в прорезь (1) на катушке (см. рисунок 11). Аккуратно намотайте леску на катушку по часовой стрелке.

рисунок 11



8. Проденьте концы лески в прорези (2) на катушке и затем в отверстия на корпусе шпули. Длина выхода лески из шпули должна составлять не более 15-17 мм.
9. Аккуратно и правильно соберите шпулю, надежно закройте крышку.
10. Убедитесь в работоспособности шпули.

### Воздушный фильтр

Грязный воздушный фильтр может стать причиной появления проблем во время запуска, привести к потере мощности, неисправной работы двигателя и крайне сократить срок службы двигателя.



#### ВНИМАНИЕ!

Запрещено работать мотокозой без установленного воздушного элемента или с ненадежно закрепленной крышкой фильтра.

Для чистки фильтрующего элемента воздушного фильтра используйте мыльную воду или невоспламеняющийся растворитель.

Воздушный фильтр необходимо менять своевременно. Грязь и пыль, проникающие через воздушный фильтр, наносят большой вред двигателю и тем самым сокращают срок его службы в несколько раз.

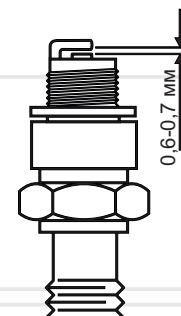
### Свеча зажигания



#### ПРИМЕЧАНИЕ!

Для правильной работы двигателя на свече зажигания не должно быть загрязнений, зазор между электродами должен быть 0,60 - 0,70 мм.

рисунок 12



Необходимо регулярно чистить и проверять работоспособность свечи зажигания. Неисправная, грязная или имеющая нагар свеча становится причиной трудного запуска и плохой работы двигателя мотокосы.

### Карбюратор

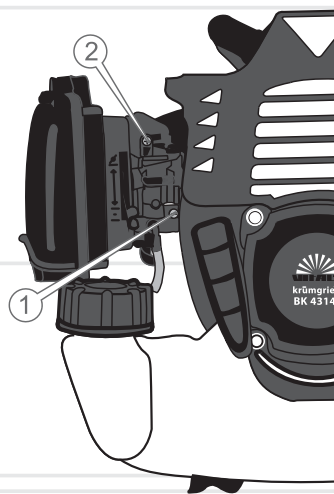
Карбюратор отрегулирован на заводе-изготовителе при испытании мотокосы. Такая регулировка карбюратора должна сохраняться на протяжении всего периода обкатки двигателя (в пределах 5 часов работы). После обкатки двигателя может возникнуть необходимость выполнить точную регулировку карбюратора.



#### ПРИМЕЧАНИЕ!

Не исключено, что во время первого запуска двигателя, а также в процессе обкатки двигателя мотокосы может потребоваться точная настройка карбюратора.

рисунок 13



1. Регулировочный винт подачи топлива.
2. Регулировочный винт холостого хода.

### Регулировки карбюратора (см. рисунок 13)

1. Остановите двигатель.
2. Поверните регулировочные винты подачи топлива и холостого хода по ходу часовой стрелки до упора. Не прикладывайте усилий при вращении винтов.
3. Медленно поверните регулировочный винт подачи топлива против хода часовой стрелки на  $2,5 \pm 0,5$  оборота.
4. Медленно поверните регулировочный винт холостого хода против хода часовой стрелки на  $13 \pm 1$  оборот.
5. Запустите двигатель и прогрейте его в течение 2-5 минут на холостых оборотах.
6. При помощи рычага дросселя установите максимальные обороты двигателя. Убедитесь в плавности перехода двигателя от режима холостого хода к режиму максимальных оборотов. Если двигатель не набирает максимальных оборотов или работа двигателя не устойчивая, выполните точную регулировку карбюратора: медленно поворачивайте регулировочный винт подачи топлива в обе стороны (максимум на 0,5 оборота), пока двигатель не наберет максимальные устойчивые обороты.

### ВНИМАНИЕ!

Запрещается устанавливать максимальную частоту оборотов двигателя, отличную от указанной максимальной частоты в разделе 3 данного руководства, так как это приведет к выходу двигателя из строя.

### ПРИМЕЧАНИЕ!

Регулировку карбюратора необходимо выполнять в специализированном сервисном центре или у квалифицированных специалистов.

### Топливный фильтр и топливный бак

Рекомендуется осуществлять чистку топливного фильтра и топливного бачка каждые 25 часов работы изделия или каждый месяц (что наступит быстрее). Если возникает такая необходимость, то интервал обслуживания можно сократить. Данные меры позволят увеличить срок службы топливной системы мотокосы.

Чистку топливного фильтра и топливного бачка необходимо производить бензином.

### ВНИМАНИЕ!

Запрещено работать мотокосой при загрязненном или поврежденном топливном фильтре.

### Топливопровод

Топливопровод выполнен из резинотехнических изделий, которые подвергаются механическим воздействиям и влиянию окружающей среды. Это не означает, что топливопровод выполнен из материала низкого качества. У каждого материала имеется свой срок эксплуатации и ему присущи свойства старения. Для предотвращения возможных утечек топлива следует производить своевременную проверку состояния топливопровода и, если необходимо, его своевременную замену.

### Смазка конического редуктора

Конический редуктор на заводе-изготовителе заполнен достаточным количеством консистентной смазки. Тем не менее, чтобы редуктор не вывести из строя, очень важно каждый месяц (через каждые 50 часов работы мотокосы) осуществлять чистку от пыли и грязи, а также смазку рабочих частей редуктора. Для смазывания редуктора используйте консистентную смазку, которая применяется в трансмиссиях или для смазывания шестеренчатых передач.



#### ВНИМАНИЕ!

Если Вы будете эксплуатировать мотокосу без смазки (с недостаточным количеством смазки, загрязненной смазке) в коническом редукторе, то редуктор выйдет из строя.



#### ПРИМЕЧАНИЕ!

Если у Вас возникают какие-либо трудности в процессе смазки редуктора, обратитесь в сервисный центр.

### Проверка исправности элементов управления

Прежде чем приступить к работе мотокосой, обязательно проверьте элементы управления на отсутствие повреждения: рычаг дросселя, кнопку фиксации рычага дросселя, выключатель зажигания, клавишу, предохраняющую от случайного нажатия рычага дросселя, рычаг воздушной заслонки карбюратора, колпачок «праймера».

### Транспортировка



#### ВНИМАНИЕ!

Запрещено переносить и транспортировать мотокосу с запущенным двигателем.

Транспортировка мотокосы допускается всеми видами транспорта, обеспечивающими ее сохранность, в соответствии с общими правилами перевозок.

Позаботьтесь о том, чтобы не повредить изделие при транспортировке. Не помещайте на мотокосу тяжелые предметы.

При смене рабочего места остановите двигатель. Переносите изделие, используя ранцевую жилетку. Можно также переносить мотокосу, удерживая ее за штангу в равновесном положении.



#### ВНИМАНИЕ!

Во избежание пролива топлива, прежде чем транспортировать мотокосу, слейте топливо из топливного бачка.

Во время погрузочно-разгрузочных работ и транспортировки мотокоса не должна подвергаться ударам и воздействию атмосферных осадков.

Размещение и крепление изделия в транспортных средствах должны обеспечивать устойчивое положение мотокосы и отсутствие возможности ее перемещения во время транспортировки.

Допустимые условия транспортировки мотокосы: температура окружающего воздуха от -15 °С до +55 °С, относительная влажность воздуха до 90%.

### Хранение

Хранение изделия рекомендуется в проветриваемом помещении при температуре от -15°С до +55°С и относительной влажности воздуха не более 90%.

## При подготовке изделия к хранению:

1. Слейте топливо из топливного бачка.
2. Удалите накопленное со временем масло, пыль, грязь и траву с силового агрегата изделия, штанги, защитного кожуха, ножа и шпули.
3. Отсоедините нож или шпулю с леской.
4. Смажьте маслом все металлические части изделия.
5. Затяните все болты, винты и гайки.

**ВНИМАНИЕ!**

Хранить изделие в одном помещении с горючими веществами, кислотами, щелочами, минеральными удобрениями и другими агрессивными веществами запрещается.

**Утилизация**

Не выбрасывайте мотокосу в контейнер с бытовыми отходами! Отслужившая свой срок мотокоса, оснастка и упаковка должны сдаваться на утилизацию и переработку.

Информацию об утилизации Вы можете получить в местной администрации.

ОПИСАНИЕ НЕИСПРАВНОСТИ	Возможная причина	Пути устранения
Двигатель не запускается	Отсутствует топливо в топливном бачке	Заправьте топливо в топливный бачок
	Загрязненное топливо, наличие воды в топливной смеси	Замените топливо
	Загрязнена, залита топливом или неисправна свеча зажигания	Очистите, высушите или замените свечу
	Топливо не поступает в карбюратор	Обратитесь в сервисный центр
	Залита несоответствующая требованиям руководства топливная смесь	Замените топливную смесь
	Выключатель зажигания в положении «0» (выкл.)	Включите зажигание
	Не отрегулирован карбюратор	Отрегулируйте
	Загрязнен/изношен топливный фильтр	Очистите/замените
	Открыта воздушная заслонка при холодном двигателе	Закройте воздушную заслонку
	Двигатель горячий, воздушная заслонка закрыта	Откройте воздушную заслонку
Недостаточная мощность	Двигатель вышел из строя	Обратитесь в сервисный центр
	Не отрегулирован карбюратор	Отрегулируйте
	Загрязнено топливо	Замените топливо
	Загрязнен воздушный фильтр	Очистите воздушный фильтр
	Свеча зажигания отработала свой ресурс	Замените свечу зажигания

ОПИСАНИЕ НЕИСПРАВНОСТИ	Возможная причина	Пути устранения
Недостаточная мощность	Залита несоответствующая требованиям руководства топливная смесь	Замените топливную смесь
	Закрыта воздушная заслонка карбюратора	Откройте воздушную заслонку
	Двигатель перегрет	Остановите двигатель, дайте ему полностью остыть
	Намотана трава на шпindelь конического редуктора	Остановите двигатель, очистите шпindelь от травы
Нож (шпуля с леской) не приводится в движение	Конический редуктор поврежден	Обратитесь в сервисный центр
	Центробежное сцепление вышло из строя	Обратитесь в сервисный центр
Низкая эффективность работы изделия	Из шпули выходит недостаточное количество лески	Выясните причину, устранили
	Нож затуплен	Замените
Повышенная вибрация	Вышел из строя конический редуктор	Обратитесь в сервисный центр
	Изношены подшипники	Обратитесь в сервисный центр
	Не отрегулирован карбюратор	Отрегулируйте
	Нож поврежден	Замените
	Шпуля разбалансирована	Замените
Нет выхода лески из шпули	В шпуле отсутствует леска	Заправьте леску в шпулю
	Запуталась леска на катушке	Распутайте
	Шпуля загрязнена	Очистите
	Леска слиплась от чрезмерного нагрева в ходе работы	Замените леску
	Неправильно намотана леска на катушку	Правильно намотайте леску на катушку

Гарантийный срок эксплуатации мотококос «Vitals» **ВК 4314о** и **ВК 4919о** составляет 1 (один) год с указанной в гарантийном талоне даты розничной продажи.

В течение гарантийного срока неисправные детали и узлы будут заменяться при условии соблюдения всех требований Руководства по эксплуатации и отсутствию повреждений, связанных с неправильной эксплуатацией, хранением и транспортированием изделия. По вопросам гарантийного обслуживания обращайтесь в уполномоченный сервисный центр.

Потребитель имеет право на бесплатное гарантийное устранение неисправностей, выявленных и предъявленных в период гарантийного срока и обусловленных производственными и конструктивными факторами.

Гарантийное устранение неисправностей производится путем ремонта или замены неисправных частей изделия в сертифицированных сервисных центрах. В связи со сложностью конструкции ремонт может длиться более двух недель. Причину возникновения неисправностей и сроки их устранения определяют специалисты сервисного центра.

**ПРИМЕЧАНИЕ!**

Изделие принимается на гарантийное обслуживание только в полной комплектации, тщательно очищенное от грязи и пыли

**Гарантийные обязательства утрачивают свою силу в следующих случаях:**

- Отсутствие или нечитаемость гарантийного талона.
- Неправильное заполнение гарантийного талона, отсутствие в нем даты продажи или печати (штампа) и подписи продавца, серийного номера изделия.
- Наличие исправлений или подчисток в гарантийном талоне.
- Полное или частичное отсутствие, нечитаемость серийного номера на изделие, несоответствие серийного номера изделия номеру, указанному в гарантийном талоне.



- Несоблюдение правил эксплуатации, приведенных в данном руководстве, в том числе нарушение регламента технического обслуживания.
- Эксплуатация неисправного или некомплектного изделия, ставшая причиной выхода его из строя.
- Попадание внутрь изделия посторонних веществ или предметов.
- Причиной возникшей неисправности стала некачественная или несоответствующая требованиям руководства топливная смесь.
- Изделие имеет значительные механические или термические повреждения, явные следы небрежной эксплуатации, хранения или транспортировки.
- Изделие использовалось не по назначению.
- Производились несанкционированный ремонт, вскрытие компонентов либо попытка модернизации изделия потребителем или третьими лицами.
- Неисправность произошла в результате стихийного бедствия (пожар, наводнение, ураган и т. п.).

Замененные по гарантии детали и узлы переходят в распоряжение сервисного центра.

При выполнении гарантийного ремонта гарантийный срок увеличивается на время пребывания изделия в ремонте. Отсчет добавленного срока начинается с даты приемки изделия в гарантийный ремонт.

В случае если по техническим причинам ремонт изделия невозможен, сервисный центр выдает соответствующий акт, на основании которого пользователь самостоятельно решает вопрос с организацией-поставщиком о замене изделия или возврате денег.

После окончания гарантийного срока сервисные центры продолжают осуществлять обслуживание и ремонт изделия, но уже за счет потребителя.

Гарантийные обязательства не распространяются на неисправности, возникшие вследствие естественного износа или перегрузки изделия.

Гарантийные обязательства не распространяются на комплектующие: шуля с леской, нож, защитный кожух, жилетка, комплект инструментов.

Гарантийные обязательства не распространяются на неполноту комплектации изделия, которая могла быть обнаружена при его продаже. Все расходы на транспортировку изделия несет потребитель.

Право на гарантийный ремонт не является основанием для других претензий.



## ГАРАНТІЙНИЙ ТАЛОН

Купуючи виріб, вимагайте перевірки його справності, комплектності і відсутності механічних пошкоджень, наявності відмітки дати продажу, штампа магазину та підпису продавця. Після продажу претензії щодо некомплектності і механічних пошкоджень не приймаються.

Виріб

Модель

Серійний номер

Торговельна організація

Адреса торговельної організації

Вироб перевірів і продав

Дата продажу

Печатка або штамп торговельної організації

Претензій до зовнішнього вигляду, справності та комплектності виробу не маю. З правилами користування та гарантійними умовами ознайомлений.

(Підпис покупця)



Виріб

Модель

Серійний номер

Вилучено (дата):

Торговельна організація

Дата продажу

Видано (дата):

Майстер  
(ПІП та підпис)

Печатка або штамп сервісного центру

Печатка або штамп торговельної організації



Виріб

Модель

Серійний номер

Вилучено (дата):

Торговельна організація

Дата продажу

Видано (дата):

Майстер  
(ПІП та підпис)

Печатка або штамп сервісного центру

Печатка або штамп торговельної організації



Виріб

Модель

Серійний номер

Вилучено (дата):

Торговельна організація

Дата продажу

Видано (дата):

Майстер  
(ПІП та підпис)

Печатка або штамп сервісного центру

Печатка або штамп торговельної організації

ВІДРИВНИЙ ТАЛОН

ВІДРИВНИЙ ТАЛОН

ВІДРИВНИЙ ТАЛОН

## ФОРМУЛЯР ГАРАНТІЙНИХ РОБІТ

Вироб після гарантійного ремонту отримав у робочому стані, без дефектів. Претензій не маю.

<input type="text"/>	<input type="text"/>	<input type="text"/>
Дата	П.І.П. покупця	Підпис покупця

Вироб після гарантійного ремонту отримав у робочому стані, без дефектів. Претензій не маю.

<input type="text"/>	<input type="text"/>	<input type="text"/>
Дата	П.І.П. покупця	Підпис покупця

Вироб після гарантійного ремонту отримав у робочому стані, без дефектів. Претензій не маю.

<input type="text"/>	<input type="text"/>	<input type="text"/>
Дата	П.І.П. покупця	Підпис покупця

№	Дата проведення ремонту		Опис ремонтних робіт та заміненних деталей	Прізвище майстра та печатка сервісного центру
	Початок	Закінчення		
<input type="text"/>	<input type="text"/>	<input type="text"/>		
<input type="text"/>	<input type="text"/>	<input type="text"/>		
<input type="text"/>	<input type="text"/>	<input type="text"/>		
<input type="text"/>	<input type="text"/>	<input type="text"/>		
<input type="text"/>	<input type="text"/>	<input type="text"/>		



**ОФИЦИАЛЬНЫЙ ДИЛЕР В УКРАИНЕ:**

[storgom.ua](http://storgom.ua)

**ГРАФИК РАБОТЫ:**

Пн. – Пт.: с 8:30 по 18:30

Сб.: с 09:00 по 16:00

Вс.: с 10:00 по 16:00

**КОНТАКТЫ:**

+38 (044) 360-46-77

+38 (066) 77-395-77

+38 (097) 77-236-77

+38 (093) 360-46-77

Детальное описание товара: <https://storgom.ua/product/motokosa-vitals-bk-4919o.html>

Другие товары: <https://storgom.ua/benzinovye-motokosy.html>