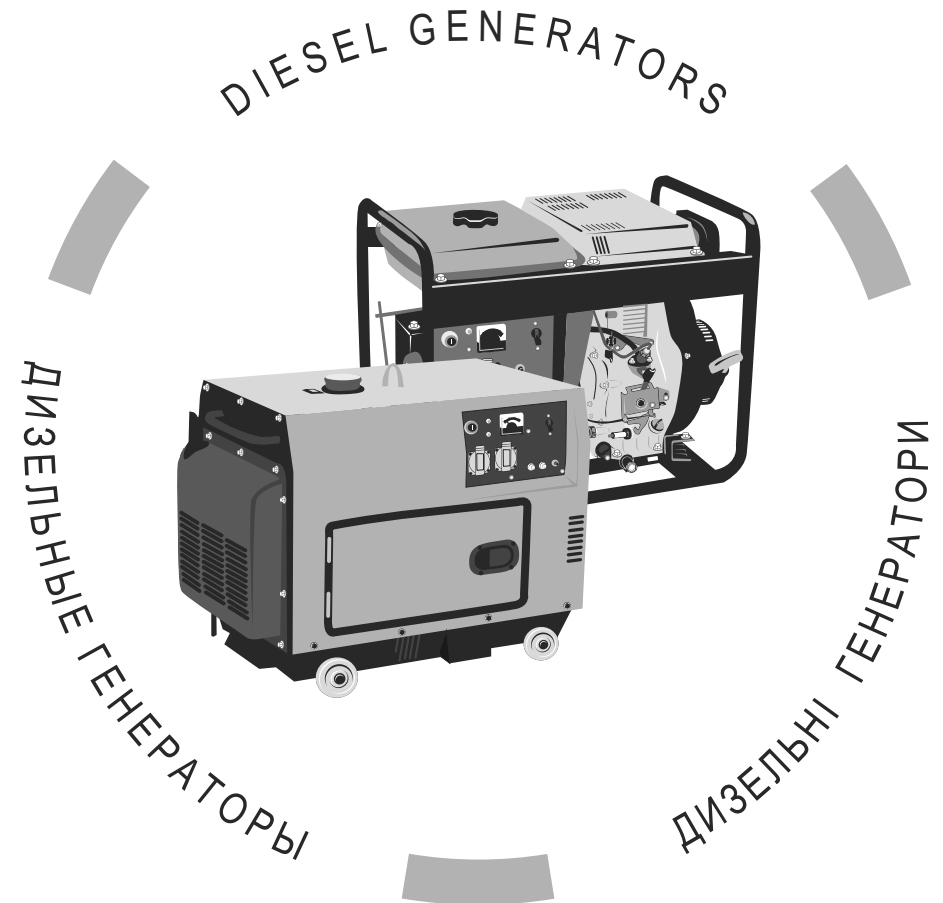


VITALS

MANUAL FOR TECHNICAL USE
КЕРІВНИЦТВО З ЕКСПЛУАТАЦІЇ
РУКОВОДСТВО ПО ЭКСПЛУАТАЦИИ



WWW.VITALS.COM.UA



MODELS	МОДЕЛІ	МОДЕЛИ
ERS 4.6d	ERS 4.6dt	

CONTENTS

ENGLISH

1. General description	6
2. Delivery kit	11
3. Specifications	12
4. Safety requirements	14
4.1. Important information about safety	14
4.2. Safety of exploitation	17
4.3. Ground system	20
5. Exploitation	22
5.1. Application	22
5.2. Preparations to work	22
5.3. Generator's operation	27
6. Maintenance	38
7. Transporting/storage	44
8. Troubleshooting	46
9. Warranty	51

ЗМІСТ

УКРАЇНСЬКА

1. Загальний опис	54
2. Комплект поставки	59
3. Технічні характеристики	60
4. Вимоги безпеки	62
4.1. Важлива інформація щодо безпеки	62
4.2. Безпека експлуатації	65
4.3. Заземлення	68
5. Експлуатація	70
5.1. Застосування	70
5.2. Підготовка до роботи	70
5.3. Робота електростанції	75
6. Технічне обслуговування	87
7. Транспортування та зберігання	94
8. Можливі несправності та шляхи їх усунення	96
9. Гарантійні зобов'язання	101

СОДЕРЖАНИЕ

РУССКИЙ

1. Общее описание	106
2. Комплект поставки	111
3. Технические характеристики	112
4. Требования безопасности	114
4.1. Важная информация по безопасности	114
4.2. Безопасность эксплуатации	117
4.3. Заземление	120
5. Эксплуатация	122
5.1. Применение	122
5.2. Подготовка к работе	122
5.3. Работа электростанции	127
6. Техническое обслуживание	139
7. Транспортировка и хранение	146
8. Возможные неисправности и пути их устранения	148
9. Гарантийные обязательства	153

DEAR BUYER!

Thank you for buying mini diesel generator TM “Vitals”.

Generators of TM “Vitals” are developed according to European quality standards and with using of modern technologies.

Incorrect exploitation of diesel generators and non-observance of safety measures can damage generator and can lead to serious injuries!

This Manual For Technical Use contains all necessary information about safety measures that should be obeyed in the diesel generators' exploitation. Learn carefully this instruction before the generator starts working.

Please, show this Manual For Technical Use to other users before they start working with generator. This instruction should be kept for its further exploitation.

We constantly work on improving of our production, make changes in its appearance, equipment and the technology of production. We don't change the main principles of operation without informing the consumer. All possible changes will only improve the product.

KEY WORDS MEANING



WARNING!

Means potentially dangerous situations, which are to be avoided, otherwise can appear a danger for health or life.



ATTENTION!

Indicates a potentially hazardous situation that may result in minor injury or damage to the product.



NOTE!

Marks important additional information.

Diesel generators (generator) are fixed devices, which are equipped with electric AC generator with diesel internal combustion engine. This engine and generator are connected to each other directly, and are fixed on a steel frame by damping props.

The generator is attached to the flange of the crankcase with four bolts. The transfer of torque from the engine to the generator is provided by the conical coupling of the generator's rotor and of the motor shaft.

Diesel generators "Vitals" **ERS 4.6d** and **ERS 4.6dt** are used as a backup or emergency source of electric power for single-phase alternating current's consumers.

These products are made according to the current requirements of the technology standard and level as well as to the current safety regulations. They have a modern design, they are economical and safe in operation, are easy to use and to maintain.

Their operating principle is very simple because the chemical energy of a diesel fuel, which burns in the chamber of internal combustion engine, is converted into a mechanical work, and an electric generator, which is connected with the motor shaft, converts the speed into an electrical current.

Diesel generator is equipped with a control panel which manages the product, with the system of his condition control and protection from the accidents.

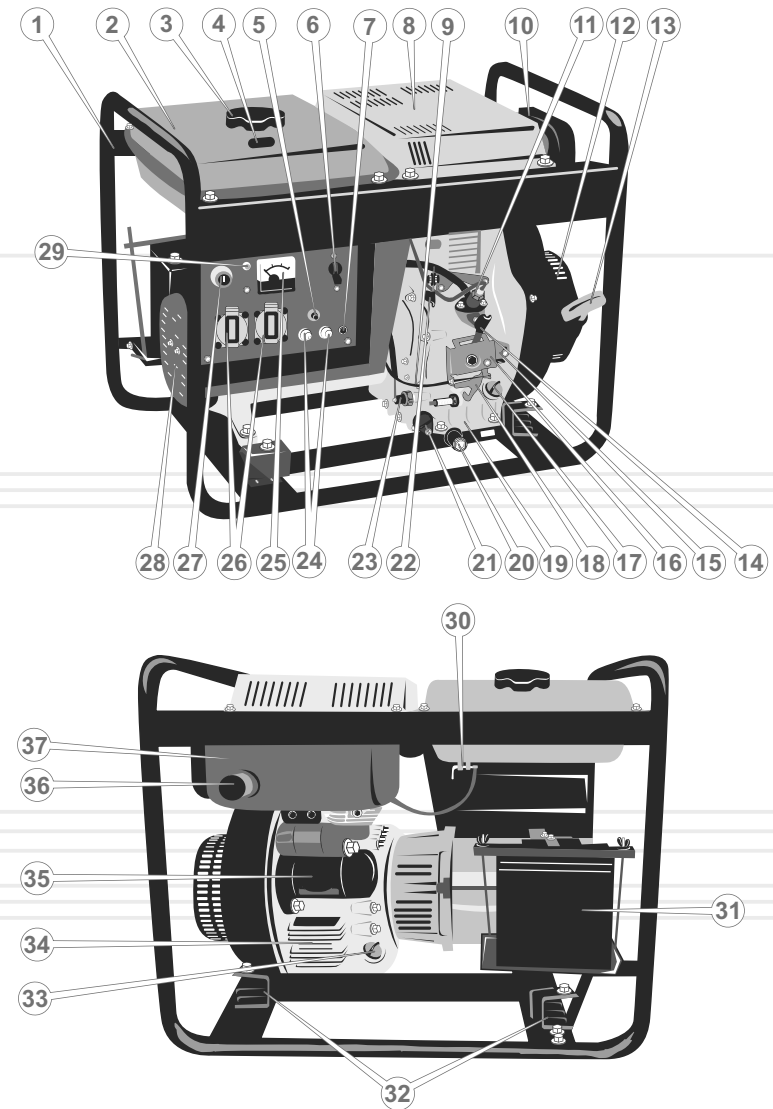
Distinctive features of the model ERS 4.6dt:

- a noise absorbing cover that reduces sound pressure level when the engine is operating;
- the lack of a recoil starter gear.

Description of the main components of the diesel generator is presented below.

figure 1

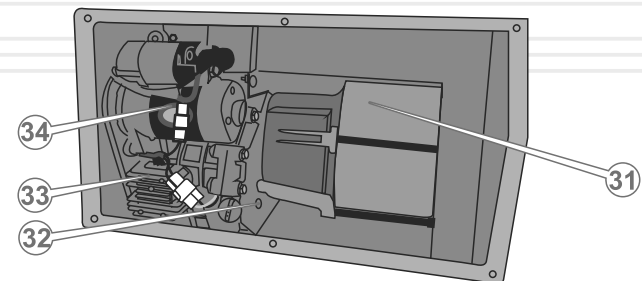
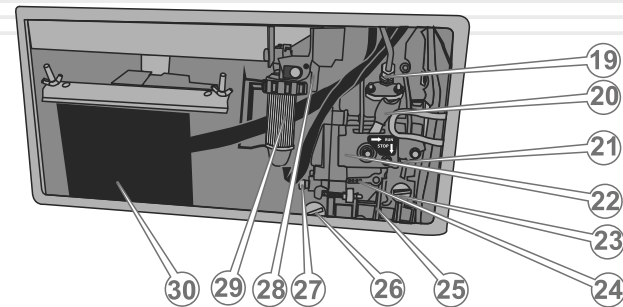
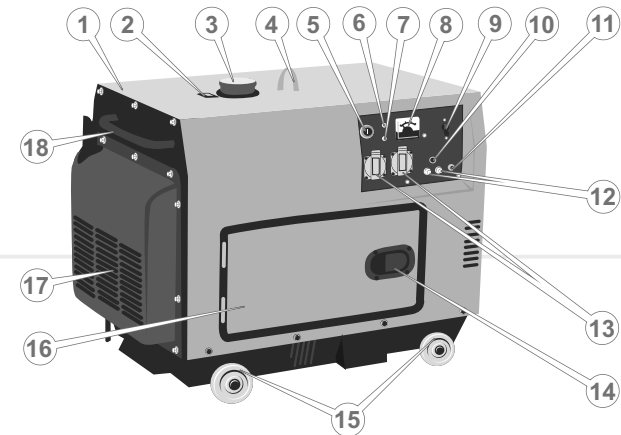
ERS 4.6d



1. Frame.
2. Fuel tank.
3. Fuel valve.
4. Fuel level indicator.
5. Automatic DC circuit protector.
6. Automatic AC circuit protector.
7. Ground system.
8. Protective cover.
9. Recoil starter rope of electromagnet.
10. Air cleaner.
11. Fuel pump of high pressure.
12. Protective cover of recoil starter and fan.
13. Recoil starter grip.
14. Fuel control lever.
15. Engine stop lever.
16. Mount bracket of engine stop mechanism.
17. Engine oil filler plug.
18. Screw-lock of fuel control mechanism.
19. Crankcase.
20. Engine oil drain plug.
21. Oil filter.
22. Decompression valve lever.
23. Oil level sensor in the engine crankcase.
24. DC terminals.
25. Voltmeter.
26. AC electrical outlets.
27. Starter switch.
28. AC generator.
29. Light indicator "Oil alert lamp".
30. Fuel cock.
31. Storage battery.
32. Damper props.
33. Engine oil filler plug.
34. DC rectifier.
35. Electric starter.
36. Exhaust pipe.
37. Muffler.

figure 2

ERS 4.6dt



1. Noise absorbing cover.
2. Fuel level indicator in the tank.
3. Engine fuel filler cap.
4. Node for lifting.
5. Starter switch.
6. Automatic DC protector.
7. Light indicator "Oil alert lamp".
8. Voltmeter.
9. Automatic AC protector.
10. Automatic DC protector.
11. Ground system terminal.
12. DC terminals.
13. AC electrical outlets.
14. Hatch's handle.
15. Transport wheels.
16. Hatch of noise absorbing cover.
17. Protective cover of electric generator.
18. Transport handle.
19. High-pressure fuel pump.
20. Fuel control lever.
21. Engine stop lever.
22. Mount bracket of engine stop mechanism.
23. Engine oil filler plug.
24. Screw-lock of fuel control mechanism.
25. Crankcase.
26. Oil filter.
27. Oil level sensor in the engine crankcase.
28. Fuel cock handle.
29. Fuel filter.
30. Storage battery.
31. AC generator.
32. Engine oil filler plug.
33. DC rectifier.
34. Electric starter.

1. Diesel Generator.
2. 2 ignition keys.
3. Wheels for transportation with axes and frame bindings.
4. Manual for technical use.

**NOTE!**

The manufacturer reserves the right to make minor changes in its appearance, equipment, delivery kit and the technology of production that doesn't have an impact on the generator's operation.

MODEL		ERS 4.6d	ERS 4.6dt
Electric current generator	AC voltage, V	230	
	Current frequency, Hz	50	
	Nominal power, kVA	4,6	
	Maximal power, kVA	5,0	
	Power factor (cos φ)	1	
	DC power	12 B - 8,3 A	
	Voltage regulator	automatic (AVR)	
Engine	Type	Vertical single-cylinder four-stroke diesel engine with direct fuel injection and with air-cooling	
	Power, h.p.	9,0	
	Operative volume, sm ³	418	
	Starter system	manual and electrical starter	electrical starter
	Fuel	diesel	
	Fuel tank volume, l	14	16
	Average uptime, h	8,5	10,0
	Oil volume in the crankcase, l	1,65	
	Acoustic level, dB	84	69
	Oil level sensor in the engine crankcase	+	+
	Noise absorbing cover	-	+
	Dimensions	Dimensions (LxHxW), mm	735x495x605
Net weight/gross weight, kg		92/95	161/171

Both models are equipped with automatic voltage regulator, DC terminals, battery, electric starter system and engine protection in case of there would be low oil level in the crankcase.

Automatic Voltage Regulator (AVR)

In diesel generators is installed a modern automatic voltage regulator that provides a stable output voltage in the all load range. The quality of the generators that are equipped with a voltage regulator, allows to use the products to provide the power to complicated electronic equipment, communications equipment, special and residential customers (computers, televisions, boilers, etc.).

DC output

Diesel generators equipped with 12 V DC output, which is primarily used for charging the auto battery (12 V). Red terminal is positive (+), black terminal is negative (-). The black cable is linked up to the case products ("Grounding"). The cables should be connected according to the polarity.

Protection system from the low oil level in the crankcase

This alarm system is developed in order to prevent the damage of the engine in case of there would be an insufficient oil in its crankcase. If there is the low oil level in the crankcase, protection system will stop the engine, which can prevent its damage. In this case, the indicator light «OIL ALERT LAMP» will glow.



NOTE!

In case of an alarm system is stopped by the engine protection system, ignition engine will be in position «ON».

4.1. IMPORTANT INFORMATION ABOUT SAFETY

Before operating the generator read carefully the accident prevention requirements and warnings which are written in this manual.

Most injuries which are occurred during the operation of the product are the result of noncompliance with the basic safety rules. Injuries and accidents can be avoided if you follow precautionary measures and after that you can provide a potential danger.

Under any circumstances, do not use a product for purposes that aren't provided by this manual.

There must be an accident if untrained person operates this generator improperly.

CAUTION!

Do not use the product if you are unprepared for the operation.

**PLEASE READ ALL INSTRUCTIONS**

In order to use the product safely, you should read the instructions very carefully. Improper operation of a device or its operation by an untrained person can be dangerous. Read very carefully about all components of the mini diesel generator. Learn how to stop the generator's engine if it is necessary. If the person doesn't follow these instructions, he can have an electric shock, serious problems with health or even can die.

**RISK OF FUEL VAPOR AND EXHAUST GASES**

Diesel fuel and exhaust gases inhalation, depending on their concentration in the atmosphere, can lead to insensibility or death.

If diesel fuel has very long and frequent contact with your skin, it can cause skin irritation, and exhaust gases' toxicity irritates mucous membrane of respiratory tract and eyes, because there are a large amount of sulfur dioxide, aldehydes and smoke particles in these gases.

The consistency of the exhaust gases in the atmosphere varies greatly and depends on the type of engine, its mode of operation and loading, technical condition and the quality of the fuel.

When you launch generator in a confined space or a room with limited access to air, the concentration of emissions is very dangerous for human health and life. In order to avoid the emissions' accumulation of exhaust gases you must provide a good ventilation of the room.

CAUTION!

Do not operate generator in a confined space where there are not ventilations and extracts.

WARNING!

Do not attempt to change the exhaust duct of generator's engine. Do not use homemade silencers. Try to avoid the contact of your skin and respiratory organs with exhaust gases.



RISK OF ELECTRIC SHOCK

In case of incorrect operation of diesel generator there is a risk of electric shock, or a death from it.

Do not work with generator or other electrical devices in wet locations, near the water, in the rain or snow, because there is a risk to die from electrical shock. Always keep the generator dry.

Do not keep unprotected generator outdoors.

Humidity or ice can break the device, which can also lead to electric locking and death due to electric shock.

Check the serviceability of all electrical parts of the generator each time before using the device.

Before connecting the device to the consumers of electricity, pre-ground the generator. If you do not do it, there will be a risk to die, or the device will break down.



DANGER OF IGNITION

Muffler gets very hot while the engine is operating, and remains hot for some time after stopping, which can lead to ignition of the materials that are near the generator.

Try to avoid the connection of all parts of your body with muffler – there is a danger of getting burned.

Do not cover generator during operation. Do it only when the engine stops and generator is cool.

Do not work with generator closer than 10 meters from the location where there are a large number of materials that ignite very quickly.



CAUTION!

Fuel is highly flammable. Before refuelling, stop the engine and let it get cool completely.

Do not refill the product with the fuel near an open fire or in a place where there may be sparks.

Do not smoke near the generator.

Always check the leakage of fuel. If the fuel overflows, wipe it off very accurately.

It is forbidden to put out the fire with water.

In the case of fuel ignites, switch off the engine, blocking the fuel supply to the engine. Extinguish the fire using carbon dioxide fire extinguisher or covering it with the hearth fire felt, canvas, etc. If you do not have them, extinguish the fire by sand or ground.

4.2. SAFETY OF EXPLOITATION

1. DO NOT LET CHILDREN AND PERSONS WITH DISABILITIES USE GENERATOR.
2. BE FULLY CONCENTRATED ON WORK.
Do not digress while connecting power cables, starting and stopping the generator, as this may cause a loss of control and cause various injuries.
3. DO NOT CONNECT POWER CABLES, DO NOT START THE ENGINE AND DO NOT USE THE PRODUCT IN CASE OF ILLNESS, FATIGUE, IF YOU DRANK AN ALCOHOL OR TOOK DRUGS, WHICH REDUCE THE RATE OF REACTION AND ATTENTION.
4. CONTROL THE RIGHT OPERATION OF GENERATOR.
Do not switch on the device if it is in damage.
5. WEAR APPROPRIATE CLOTHING AND SHOES WHILE USING GENERATOR.
Wear tight clothes and fasten all buttons, take off rings, chains, bracelets while working with the product in order to prevent them from falling into the moving parts of the generator. Wear shoes with non-slip soles. Use headphones or ear plugs in order to protect your hearing. When you are working with the power cables, wear rubber gloves.

6. **DO NOT TOUCH THE REVOLVING PARTS OF THE DEVICE.**
Try to avoid the contact of your hands, fingers and other parts of body with revolving parts of the generator.
7. **YOU MUSTN'T TOUCH ELECTRIC WIRES, CONNECTORS AND TERMINALS WHEN THE GENERATOR IS OPERATING.**
High-voltage cables can lead to electric shock or death.
8. **WHEN DEVICE IS WORKING, OTHER PEOPLE AND PETS MUSTN'T BE NEAR IT (THE MINIMAL DISTANCE IS 5 M).**
9. **WHILE SERVICING THE PRODUCT, USE ONLY ORIGINAL SPARE PARTS.**
10. **KEEP AWAY FLAMMABLE MATERIALS FROM POWER.**
Fuel, engine oil, matches, oily clothes, straw, trash and other flammable materials mustn't be next to generator.
11. **DO NOT COVER GENERATOR.**
Generator is equipped with a forced air cooling system, and if the device is covered, the engine may overheat.
12. **GENERATOR MUST OPERATE ON A HORIZONTAL SURFACE.**
There is no need to make special stands for the product, however, power can not operate on an uneven surface (angle should not exceed 20 degrees), otherwise there will be vibrations. If during the operation generator is not set fixedly, it will move and the fuel will disemboque, as well as the device can tip over and cause a dangerous situation.
If the device is operating on an inclined surface, rubbing parts will not be lubricated properly that can lead to jamming of the cylinder group, even if the oil level in the crankcase is normal.
13. **LOOK AFTER THE LOCATION OF THE ELECTRICITY CONSUMERS' POWER CABLE.**
If generator is on the power cord or cable touches it's vibrating parts, the cable may be damaged. It can lead to a dangerous situation: there can be a fire or an electrical shock.
14. **DO NOT LAUNCH GENERATOR IN THE RAIN OR BY WET HANDS.**
Generator's operation in the rain or snow can cause electrical shock or spoiling the device. If it is wet, wipe it dry before you launch it. Do not pour water to the device, do not wash it.

15. **BE CAREFUL WHILE WORKING WITH STORAGE BATTERIES.**
The battery gives off hydrogen gas which can ignite if it connects with the open fire. Generator should be in a well-ventilated place. Avoid the hits of flame, sparks on the storage battery.
16. **DO NOT LAUNCH THE ENGINE POWER WITH THE CONNECTED LOAD.**
Launching the engine must be carried out without the load which is connected to the device.
17. **DO NOT OVERLOAD THE GENERATOR.**
The power of expected load should not exceed the rated capacity of the generator. Do not use power cords that have damaged insulation.
18. **DO NOT ATTEMPT TO REPAIR THE ENGINE AND GENERATOR. IF THEY BREAK DOWN, CONTACT THE SERVICE CENTER.**
19. **DO NOT MODIFY THE FUEL SYSTEM.**
Do not improve the product by the extra fuel tanks, fuel filters, hoses, valves, electromagnetic locks, fuel pumps, etc. Do not modify the fuel system in order to run it on a gaseous fuel.
20. **DO NOT CLEAN THE PRODUCT BY FUEL.**
For cleaning power, Use only non-toxic, non-flammable parts that does not destroy the surface of the generator and its details.
21. **FUELLING THE GENERATOR MUST BE DONE ONLY IN THE WELL-VENTILATED ROOM, WHEN THE ENGINE STOPS. BUT AVOID THE FUEL SPILLAGE ON THE DEVICE OR ON THE GROUND.**
22. **DO NOT MAKE A FIRE CLOSER THAN 20 METERS FROM GENERATOR.**

**WARNING!**

Check generator's serviceability constantly. In case of there would be heavy banging noise, vibration, flame, sparks, stop the engine immediately and contact a service center.

4.3. GROUND SYSTEM

CAUTION!

Do not use generator without ground system.



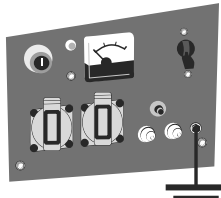
Ground system prevents the possibility of electric shock. In order to ground the device, use a ground wire and ground switch (it isn't in the package) (fig. 3).

WARNING!

The ground wire should have a section of at least 3.5 mm², preferably of twisted copper wire.
Ground terminal and ground system should have a good contact with the ground wire.



figure 3



Metal pipes in the ground water, sewage or metal frames of buildings that have a connection to the land can be used as a ground system.

CAUTION!

To make a proper connection grounding get expert advice from the relevant specialists or use their services.



If you are unable to use these ground system, use one of the following systems:

- metal pipe of not less than 1500 mm in length and 50 mm in diameter;
- metal rod not less than 1500 mm in length and not less than 15 mm in diameter;
- galvanized steel sheet (1500x1000 mm.)

WARNING!

This manual does not take into account all the possible cases that may occur in the exploitation of the device. That's why you should be in common sense to comply with the utmost attention and care while working.



5.1. APPLICATION

Diesel generators ERS 4.6d and ERS 4.6dt produce alternating current voltage of 230 V, 50 Hz, and they are single-phased. The devices are made to provide an alternating current and they can be used as an alternative power source. It can be an emergency power source of buildings and houses can be used for repairs without access to the main electricity grid, in the country, on a picnic, in the garage, etc. These models have an output voltage of 12 V DC.

5.2. PREPARATIONS TO WORK

Before the launching of the generator, do next actions:

1. Pull the power out of the box carefully; avoid shock or mechanical impact on the parts of the device.
2. Place it on a horizontal surface.
3. Carefully inspect the power plant for damage. Pay attention on the integrity of the electrical part.
4. Check the hoses, fuel tank filler hole and the oil compartment, the fuel cock as well as other possible spots where there is risk of fuel and oil leaks. If it is necessary, repair the leak.
5. Check the oil level in the crankcase and, if it is necessary, add some oil.
6. Check fuel level in the fuel tank and add some. There should be left a small airlock in the fuel tank for a possible expansion of the fuel vapor.
7. Check all key details. If it is necessary, lift bolts and nuts.
8. Check the integrity of the damper stands, replace them if it is necessary.



WARNING!

If there are damaged damper stands, don't switch on the generator.
This may lead to increased vibration and, as a consequence, failure of the device.

9. Check the integrity and purity of the air filter.



WARNING!

Do not use the product in the absence of the air filter or when it is dirty, because there is a risk to damage the engine.

Engine

New or recently renovated engine must be running for 25 hours. It must operate at low speed and at low load, since it affects the durability of the engine.



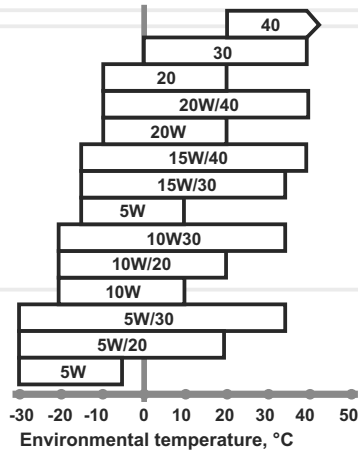
WARNING!

The diesel engine must be running at rated frequency speed and at rated load speed. If there are deviations in the engine, stop it immediately, find out causes and take remedial measures.

Oil

Oil is a fundamental factor that has a direct impact on the operating of the engine. Use engine oil for engines with the specifications on API SJ, SL. The recommended viscosity of engine oil is SAE 10W30. Other types of viscosity shown in the table (see fig. 4) may be used in cases when the average temperature in the region, where the device is operated is in the proper range.

figure 4

**NOTE!**

Generators are supplied without oil in the crankcase!

**WARNING!**

Using the product without oil in the crankcase is strictly prohibited.

Before the first use of the product fill the crankcase with 1.65 liters of oil (special oil for diesel engines).

**NOTE!**

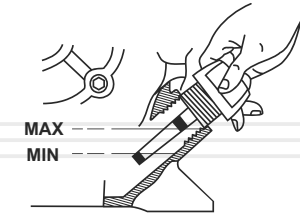
Do not use the generator if there is an insufficient or excessive oil level.

Do not fill the crankcase with oil that lost its quality, as well as oil, that is not for the engine. Do not put special additives into the oil. Do not mix oil with fuel.

Oil filling:

1. Clean the area around the engine oil filler plug thoroughly and the plug itself from contamination to prevent the ingress of dust and dirt into the crankcase.
2. Remove this plug and wipe it dry.
3. Pour into the oil filler necessary amount of oil (use a funnel in order to avoid the spilling of oil).
4. In order to measure the level of oil put the plug into the oil filler neck, but do not torque it. Remove the plug- and check the oil level. If it is below the minimum level mark on the dipstick, add oil until the level of the upper limit (the lower edge of the filler neck) (see fig. 5).
5. Torque the plug.
6. If oil spills on the device, wipe it dry.

figure 5

**WARNING!**

Change oil regularly. The first oil change make after break in 25 hours, at the end of the first month of operation, and then - every six months or after every 100 hours of operation.

Oil filter

Oil filter is to remove contaminants from the engine oil by filtration (see fig. 1 (pos. 21) – ERS 4.6d model, fig. 2 (pos. 26) – ERS 4.6dt model).

**WARNING!**

Checking the status of the oil filter, cleaning it and replacing should be in accordance with the regulations (see section 6 of this manual, "Maintenance").

Fuel

**NOTE!**

The device is sold without fuel in the fuel tank. Before each use fill the fuel tank with diesel fuel.

While refuelling, use only clean, fresh diesel fuel. Filter diesel fuel before refuelling using silk or let it stand for 24 hours. Do not allow dust, dirt, debris or water to fall into the fuel and into the fuel tank.

Diesel fuel level in the fuel tank should be checked before starting the engine of generator. If the engine has just stopped, wait for 4-5 minutes or more, so that the engine cools down, and only then start the refuelling. Refuelling should be done only in the way when an airbag remains in the fuel tank for the possible expansion of the fuel vapor when it is heating. The maximum fuel level should be 2-3 cm below the lower edge of the filler neck of the fuel tank.

Fuel filter

Both models are equipped with a fuel filter that allows the selection of fuel solids and the separation of relatively large mechanical particles and water by settling them.

**NOTE!**

Fuel filter of the ERS 4.6d model is installed inside the fuel tank.

A clogged fuel filter can be the cause of difficult engine start, of losing its power, incorrect operating. In addition, dirty fuel filter can significantly reduce the life of the engine.

**WARNING!**

Refuelling should be done only when the engine doesn't operating!

Air filter

There is an air filter with a dry filter element on the engine power, which condition should be checked before each engine's launch. It is strongly recommended to check the air filter and change it according to the regulations (see section 6 of this manual, "Maintenance").

**WARNING!**

Oil and fuel mustn't have contact with paper filter elements.

A clogged air filter can be the cause of difficult engine start, of losing its power, incorrect operating. In addition, dirty air filter can significantly reduce the life of the engine.

**WARNING!**

It is forbidden to launch the engine of generator without the air filter or the filter with unclosed fuel valve.

5.3. GENETATOR'S OPERATION**WARNING!**

Before the exploitation of the device, please, make the engine breaking-in. Details, see the section below.

**CAUTION!**

Be sure that the AC circuit breaker is disconnected! It is forbidden to launch the generator's engine if the electricity consumers are connected to the device. The connected load makes it difficult to launch the engine and may damage it.

**NOTE!**

ERS 4.6d engine model can be launched by a manual and electric starter. ERS 4.6dt engine model is not equipped with a manual starter and is launched only by an electric starter.

ELECTRIC STARTER'S LAUNCH

1. Put battery on the regular place. Observing polarity, connect the power cables to the battery (black "Grounding" to "-", red «Starter» to "+").
2. Open the fuel cock. Turn the fuel cock lever «FUEL COCK» in position «ON» («OPEN») (see fig. 6 - ERS 4.6 d model, fig. 7 - ERS 4.6dt model).

figure 6

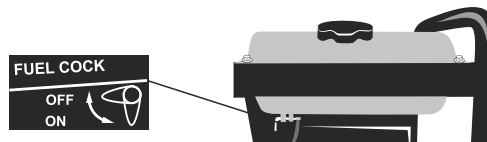
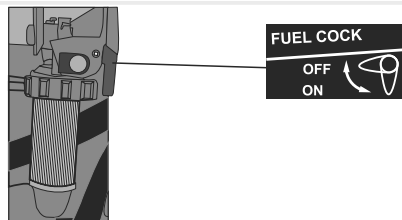
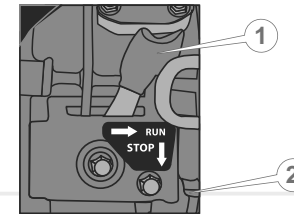


figure 7



3. Move lever fuel control by your hand in the direction of the arrow «RUN» (see fig. 8).

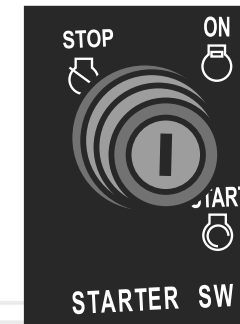
figure 8



1. Fuel control lever.
2. Engine stop lever.

4. Put the ignition key into the ignition and turn to position «START» (see fig. 9). Hold the key in this position until the engine starts, then, release the key. To prevent failure of the generator, do not hold the key to the position «START» more than 15 seconds.

figure 9

**WARNING!**

If the engine does not start within 15 seconds, release the ignition key, wait for 15-20 seconds (this allows the battery to recover) and try again.

**NOTE!**

If there is not enough oil in the crankcase, the engine will not start. Check the oil level, and, if it is necessary, add oil.

5. Warm up the engine, letting it run for 5 minutes at idle speed until you find a good pace.

LAUNCHING THE ENGINE BY THE RECOIL STARTER (ONLY ERS 4.6D MODEL)

1. Open the fuel cock and turn the fuel cock lever («FUEL COCK») to position «ON» (see fig. 6).
2. Move lever fuel control in the direction of the «RUN» arrow (see fig. 8).
3. Take the starter handle and slowly pull it up until you feel the resistance.
4. Pull down the decompression valve lever («DECOMPRESSION LEVER») (see fig. 10).
5. Firmly holding (in two hands) starter handle, pull the entire length of the cable sharply and vigorously. You should do it carefully in order not to pull the cable out of the holder. Do this as soon as the engine starts. Decompression valve lever will return to its original position automatically when you pull the starter handle.

figure 10



1. Decompression valve lever.

**WARNING!**

Do not pull the cable of a manual starter when the engine is running, since the engine may be damaged.
Do not allow the starter rope to return back sharply to its original position, return it slowly by hand.

6. Warm up the engine, letting it operates for 3-5 minutes at the idle speed until there will not be good paces.

**WARNING!**

You should not warm up the engine at high speeds because it reduces the life of the engine.

**WARNING!**

Check the tightness of the external connections of the motor housing, fuel system and exhaust emissions' control.

If the engine does not start after three attempts:

- Check the fuel for the presence in it of mechanical solids and water;
- Check the condition and cleanliness of the air filter element;
- Check the oil level in the crankcase;
- Repeat launching.

**NOTE!**

If these measures to launch the engine fail, refer to section 8 of this manual, "Troubleshooting" and find how to overcome your problems with the engine, or call a service center.

ENGINE LAUNCHING IN THE COLD SEASON

The ambient temperature, which is below 0 °C, causes:

- when the viscosity of the oil in the crankcase increases, the resistance of cranking and the piston, and the rotation of gear transmission increase too;
- when the viscosity of diesel fuel increases, the fuel pressure, which is supplied to the injector high-pressure fuel pump, decreases;
- when the energy of storage battery decreases - the torque, which is developed by an electric starter when the diesel engine starts, reduces.

For reliable diesel engine starting at temperatures below 0 °C:

- use only high-quality winter fuel;
- drain the oil from the crankcase, heat it up and pour the warm oil into the nozzle holes for oil;
- In order to heat the oil in the crankcase, use pre-heaters, which are based on the hot water and steam using;
- unscrew the plug of the oil engine head hole, pour into the hole 2 sm³ of engine oil, tighten the plug and start the engine immediately. During engine operation the plug must be torqued tightly hold because the engine can start to suck the dust, that will lead to its failure;
- hold the ignition key on the «START» position after the first outbreaks of fuel in the cylinder, scroll starting engine for several seconds until you see flashes (at this time the motor can not be operating on idles, but it can be operating on lower turnovers);
- pay attention on the exhaust gases. If there are blue pillars of smoke from the exhaust pipe of the muffler, it is "cold" fuel combustion.

CAUTION!

In order to ensure easy starting engine, do not use an open flame while heating oil in the crankcase, do not add volatile liquids to the air intake, such as kerosene, petrol, white spirit, as this can cause an explosion of fire engine.

ENGINE STOPPING

1. Turn off the electricity consumers and let the engine run at idle speed for 1-2 minutes.



WARNING!

A sudden engine stoppage could lead to an undesirable increase in temperature and it shortens engine's life.

2. Turn off the circuit breaker at the AC power panel.
3. Turn the ignition key to «STOP» (see fig. 9). After that an electromagnet starts operating, which by cable will activate the motor stop lever.
4. In case of emergency, when the engine stop lever is not activated by the described method in the preceding paragraph, press the plug on the engine stop lever down to the «STOP» arrow (see fig. 8).
5. After stopping the engine, close the fuel valve - turn the fuel cock lever («FUEL COCK») to position «OFF» («CLOSE») (see pic. 6 and fig. 7).
6. Pull the recoil starter handle slowly (when the engine is completely stopped!) until you feel the resistance (these are the intake and exhaust valves of the engine), and let the handle go. This will prevent the engine from corrosion during its storage (only ERS 4.6d model).



WARNING!

When the engine is stopping, decrease its turnovers slowly. It is forbidden to stop the engine by the decompression valve lever (only ERS 4.6d model), as this will inevitably lead to failure of the engine.

ENGINE'S RUNNING

One of the most important moments in the device's exploitation is new engine's running. If the running of the engine is correct, its service life will increase considerably.

Engine's running procedure:

1. Start the engine and let it run at idle for 10 minutes. Stop the engine and allow it to become completely cool. This procedure must be repeated 5 times.
2. Start the engine and let it run at idle for 60 minutes. Stop the engine and allow it to become completely cool.
3. The first 25 hours of operation of the device, the load should not exceed 50% of the nominal figure. The work should be carried out by stages. Each stage should not exceed 3 hours.
4. After 25 hours of the device's operation, replace the oil, after washing the engine. Fill the generator with 1.65 liters of oil and run the engine for 10 minutes. Drain flushing oil, wash the oil filter and fill with new oil. Use for cleaning the oil according to the ambient temperature.

BEFORE CONNECTING THE ELECTRIC CONSUMER

- Ensure that electrical appliances which are connected to the generator, are intact and free of defects. Because there can be an electric shock or fire;
- Make sure that the total power consumption of all connected electrical appliances do not exceed the rated output power;

**WARNING!**

Do not connect the product with the electrical power consumers, which power exceeds the maximum capacity of the device.

- The operation time of the generator between nominal and maximum power should not exceed 5 minutes. Otherwise, this could lead to product failure;
- If you are using an extension cord, make sure that it is completely unwound, and cable cross-section corresponds to the connected load. If an extension cord or a cable has insufficient wire size, it can lead to voltage drops, cable overheating and instability operation of connected consumers;
- Do not overload electrical outlets of the generator. Each outlet has that power, for which it is made. Try to distribute the load evenly between the power outlets. The maximum current carrying capacity of a single electrical outlet power must not exceed 16 A.

CALCULATION OF LOAD AND CONNECTION

Connect only single-phased power consumers with an operating voltage of 230V \pm 20% and frequency of 50 Hz to generator's ERS 4.6d and ERS 4.6dt models.

The rules for calculating the load

1. Starting power of the connected to the generator unit with the highest inrush current does not exceed the maximum capacity of the generator's product.
2. The total power consumption of all devices (with reactive and active loads) must not exceed the rated capacity of the generator.
3. To calculate the correct load, you should consider the power factor of the device.
4. There should be a 20% of power margin for proper and safe operation of the diesel generator.
5. The power of connected consumers must not exceed the maximum power socket of generator.

**NOTE!**

Many appliances have the so-called inrush current, which briefly increases the power consumption of electrical appliances in several times. On this basis, to supply the power consumers they must get the necessary power to run. Starting capacity of such devices shall not exceed the maximum capacity of this generator. The user, who has the highest starting power, should be connected first to the device.

Consumers of electricity are divided into active and reactive.

Active consumers have the most common load. Consumers have such a heavy workload entire electrical energy which is converted into heat. For example: incandescent lamps, irons, heaters, electric stoves, hair dryers, etc. To calculate the total power of consumers it is enough to combine the power of these devices (the power is indicated on the device itself).

Consumers have reactive loads, which are provided with an electric motor, where the energy is consumed in order to create an electromagnetic field. These customers include pumps, machine tools, power tools, refrigerators, washing machines, etc. A measure of reactivity is the power factor ($\cos \varphi$). To calculate the actual power consumption of reactive generators, the power must be divided on $\cos \varphi$. For example: if for an electric drill of 600 W of power $\cos \varphi$ is 0.8, so its work will require $600 \text{ W} / 0.8 = 750 \text{ W}$ of power. This must be considered when calculating the total power consumption of consumers which are connected to the generator. The $\cos \varphi$ value of such appliances is specified on the label or in the manual of each device.

It should also be considered that every generator has its own $\cos \varphi$. For example, if the coefficient is 0.8, so for this drill's operation it is required $750 \text{ W} / 0.8 = 938 \text{ watts}$.



NOTE!

Generator's ERS 4.6d and ERS 4.6dt models have the power factor ($\cos \varphi$), which is equal to 1.

In order to avoid the generator's overloading there should be calculated the total power of the connected devices, which is not more than 80% of the nominal power of the device.

You should connect consumers to the generator only when the engine is running, but the AC circuit breaker must be disabled at this time. Connect the customer, switch on the AC fuse, and only then start the consumers. The turning on of several electrical appliances should be done consistently and be started with a device that consumes the most power.



WARNING!

The engine will automatically increase the pace with increasing load of electric generator.

USING THE DC OUTPUT

ERS 4.6d and ERS 4.6dt generators are with a DC output. Maximum DC power is 12 V-8,3 A. This output is used to charge the batteries, as well as for connecting the DC loads.



WARNING!

If there is a short circuit between the terminals the automatic DC circuit breaker turns off.

How to connect the consumer to the DC output

1. Disconnect the AC fuse.
2. Start the engine.
3. Connect two-conductor power cables of the appropriate length and cross-section of at least 6 mm of each core to the DC terminals. Securely tighten the clamping nut of the terminals.
4. Observing polarity, connect the power cables to the battery or DC loads.



WARNING!

While charging, the battery generates toxic flammable gases. The charger operates only outdoors or in a well-ventilated area. Avoid the generation of flame and sparks while charging the battery.

WARNING!

Before starting the maintenance works of generator, stop the engine and disconnect all power cables.



ERS 4.6d and ERS 4.6dt generators are stocked with modern, reliable and economical diesel engines, which are based on long-term, trouble-free and continuous operation. However, it is important to hold the simple maintenance works regularly. This works are described in this section of the manual.

The reliability and durability of the products are largely dependent on the accuracy and timeliness of the service.

**NOTE!**

Maintenance of the devices are recommended for the experienced professional. In case of difficulties with maintenance, please, contact a service center.

Before every operation:

- Make the visual inspection of generator in order to detect the faults and damage, sagging fuel and oil and eliminate the causes of malfunctions;
- Check the engine mounts on the frame of the generator and, if it is necessary, tighten the fasteners. Check the condition of the damper supports;
- Check the condition of power cables, if there is any damage – replace them;
- Check the oil level in the crankcase of the engine, top up it if it is necessary;
- Check the fuel level in the fuel tank, top up it if it is necessary;
- Check the condition of the muffler;
- Check the engine cooling system;
- Check the condition of the battery;
- Check the cleanliness of the air filter.

Periodic inspections and maintenance operations of the generator

MAINTENANCE/ RECOMMENDED TERMS		Every time	First 25 work hours or 1 month	Every 50 work hours or 3 months	Every 100 work hours or 6 months	Every 300 work hours or 1 year
Diesel generator	cleaning	•				
Connections and fastenings	tightening	•				
Engine oil	checking	•				
	change		•		•	
Air filter	checking	•				
	washing			•*		
	change					•*
Fuel filter	washing			•*		
	change					•*
Oil filter	washing			•*		
	change		•		•	
Cooling system	checking	•				
	washing				•*	
Fuel tank	drainage			•		
	cleaning				•*	
Muffler	checking	•				•*
Nozzle	checking				•**	
High pressure fuel pump	checking					•**
Intake and exhaust valves' gaps	cleaning and adjustment				•**	
Fuel pipe	checking				•*	

* - it is recommended more frequent maintenance when used in dusty areas.

** - this type of work should be carried out by a qualified service technician.

**NOTE**

Making the maintenance strictly according to the rules, you increase the life of the product in several times.

CLEANING

Cleaning of the outer surface of the generator should be carried out after each use and before refilling engine oil and fuel. Do not use generator with streaks of oil and fuel. It should be remembered that the dust that enters the engine oil or fuel significantly reduces its life. Do not allow to become electric generator dusty, because there is risk of failure.

CONNECTIONS AND HANDLING

The generation is equipped with a diesel internal combustion engine, which makes a vibration during start-up and operation. Engine's vibration is transmitted to the joints and fasteners products. Regularly check all bolts and nuts and don't switch on the generator, if at least one bolt or nut is absent. In addition, keep an eye on the state of the damper supports. Bearings, that are out of order, can cause excessive vibration of the product.

**WARNING!**

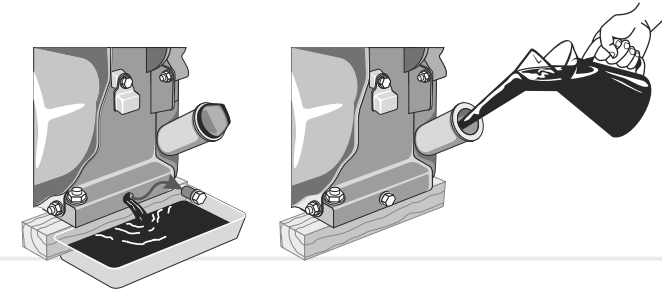
Check the damper bearing for wear or damage. Damaged bearings should be replaced immediately.

ENGINE OIL**WARNING!**

Engine oil should be changed after the first 25 hours of the new engine's operation. Do not exceed the life of the oil. Change the oil strictly by the rules.

Filler neck and drain plug of the engine

figure11

**NOTE!**

The oil should be drained when it is hot, because in this way the oil drains completely and flushes away contaminants and impurities of the fuel.

OIL FILTER

ERS 4.6d and ERS 4.6dt generators have the oil filter, which cleans the oil. Flushing and replacing the oil filter must be carried out strictly in the time terms, which are specified in the table.

**NOTE!**

At first, drain the used oil, flush the engine crankcase by wash oil, rinse or replace the oil filter and then fill it with new engine oil.

AIR FILTER

The engine can not operate because of the clogged air filter, as well as can be the loss of its power, malfunction, and it extremely shortens the life of the engine.

**WARNING!**

Never operate the product without the filters or if they are damaged. Never switch on the generator with unlocked filter cover!

Air filters should be replaced promptly. Dirt and dust particles, that penetrate through the air filter, contribute to the premature wear and failure of the piston engine.

Flushing and replacing the air filter

1. Unscrew the nut and remove the air filter cover.
2. Remove the filter element and clean it or replace it.
3. Clean the air filter housing from dust and dirt.
4. Assemble the air filter, tighten the nut.



WARNING!

Do not wash the air filter element by solvents or detergents. Use only soapy water and a soft brush.

FUEL FILTER

Fuel filters are for cleaning the fuel, thereby increasing the life of the fuel system and fuel pump. Its replacing is strictly regulated over the time as visible contamination. The filter is in a transparent flask, which makes it easy to determine the extent of contamination. If the filter is very dirty, it will be better to wash the fuel tank and fuel system.

FUEL PUMPS, NOZZLES AND VALVES

Cleaning and inspection of the fuel pump and injectors, all as checking the valve clearance should be done by a qualified technician. Contact the service center.

COOLING SYSTEM

Both generators' models are equipped with forced air cooling system. Check the integrity of the impeller engine cooling fan regularly (which is behind the manual starter in the ERS 4.6d model, and which is on the place of the manual starter in the ERS 4.6dt model). The damaging of even one blade of the fan's propeller can lead to overheating of the engine. Replace the damaged fan's propeller immediately.



WARNING!

It is forbidden to operate the engine with a broken propeller of the fan of air cooling. A broken propeller can lead to overheating of the engine and its premature failure.

FUEL TANK

It is recommended to clean the fuel tank and fuel filter every 100 hours of operation or every 6 months. If it is necessary, follow this procedure more frequently. These measures will increase the life terms of the engine fuel system.

Clean the fuel tank and fuel filter by the fuel.

FUEL PIPE

Fuel is made from the rubber products which are exposed to environmental and mechanical impacts. This does not mean that the fuel is made from a material of poor quality. Each material has its own life and it has its own aging properties. Fuel pipe is an important element of the engine, it should be emphasized. In order to prevent the possible leakage of fuel, the inspection of the fuel should be carried out timely and, if it is necessary, there must be done its timely replacement.



NOTE!

In case of difficulties with maintenance of devices, please, contact a service center.

MUFFLER

Before each use, inspect the muffler state and reliability of fastening:

There shouldn't be a trace of soot at the junction of the muffler with an exhaust manifold of the engine, which indicates a pass of the engine's exhaust gases;

There should not be the burnouts on the walls of the muffler housing;

Exhaust pipe must not be blocked by obstacles that prevent the exit of exhaust gases.

If you find any faults in the muffler, contact the service center.

CAUTION!

The generator is very heavy. During the transportation follow the instructions.

WARNING!

Do not touch the engine and exhaust system: they are hot and can cause a fire. Before transporting the generator, let it cool down.

WARNING!

Do not move the generator with working engine and with connected electricity consumers!

TRANSPORTING

While transporting the generator in order to prevent fuel leakage, close the fuel valve.

Generator's transportation is allowed only if its on horizontal location. Otherwise, there may be a leak of oil and fuel.

Do not transport the product on long distances if there is a fuel in the tank, because there can be a risk of leakage.

Make generator's loading and unloading by a specially designed unit for lifting goods or by protective frame.

NOTE!

For comfortable generator's transport, there are provided special transport wheels in the ERS 4.6d model and there are special transport grip and handling in the ERS 4.6dt model.

Before you transport the device, set the product on the transport wheels.

Be careful in order not to damage the generator during transportation. Do not put heavy objects on its top.

STORAGE

If the product is not used for a long time (more than 2 months), it must be stored in a dry ventilated place, where a temperature is from -15 °C to +55 °C and a relative humidity is 90%, be covered to keep the product out of the dust and small debris. The presence of acids vapors, alkalis and other aggressive substances is prohibited.

During the preparation for the long-term storage:

1. Start the engine and warm it up for 2-5 minutes.
2. Drain the oil from the crankcase. Wash the crankcase and oil filter, after then fill the crankcase with new oil.
3. Drain the fuel from the fuel tank and fuel system. Remember that the fuel is extremely flammable and, in certain conditions, can be explosive.
4. Fill the hole of the valve cover with 2-3 cm³ of oil and tighten it by plug.
5. Turn the decompression valve lever down to the non-decompression position.
6. Pull the handle of manual starter two or three times.
7. Slowly pull the starter grip until you feel the resistance. In this position the piston is at the top point (compression step) and the inlet and exhaust valves are closed. Keeping the engine in this position can protect its working chamber from internal corrosion.
8. Clean the product from dirt and dust. Put a thin layer of grease on the sites, where there is corrosion.
9. Put a generator on a flat surface and cover it with a clean, dry material.

After removing the product from long-term storage:

1. Disconnect the fuel cock and wash it thoroughly.
2. Replace the fuel valve.
3. Close the fuel valve, fill the tank with 1-1.5 liters of diesel fuel, shaking it in different directions, wash the tank. Drain the fuel.
4. Check the oil level in the crankcase.

WARNING!

Keeping the product in the same room with flammable substances, acids, alkalis, fertilizers and other aggressive substances is prohibited.



TROUBLESHOOTING

ENGLISH

DESCRIPTION OF THE PROBLEM	Possible cause	Possible solution
The engine doesn't launch	Engine is turned off	Turn the ignition key into position "ON"
	Fuel filter is not impregnated with fuel	After setting up a new fuel filter and filling fuel tank, wait for 10 minutes until the filter is saturated with fuel
	There is an air in the fuel system	Contact a service center
	High pressure fuel pump is out of order	Contact a service center
	There isn't enough fuel in the fuel tank	Fill the fuel tank with the quality diesel
	Closed fuel cock	Open it
	There is poor quality of the fuel or it is inadequate	Drain it and refill with a quality diesel
	Cold weather. 1. Oil becomes more viscous 2. Fuel becomes thick and loses fluidity	1. Drain the oil from the crankcase, heat it up and pour the warm oil into the hole for oil 2. Use the winter fuel
	Fuel system is out of order. There is a water in the fuel	Clean the filter of the fuel tank and fuel lines, replace the fuel
	Intermittent fuel supply	It is not enough fuel in the tank, the fuel is clogged — top up or replace fuel
	Incomplete fuel combustion	Contact a service center
	Fuel control lever is in the «STOP» position	Set the fuel control lever up in «RUN» position

DESCRIPTION OF THE PROBLEM

DESCRIPTION OF THE PROBLEM	Possible cause	Possible solution
The engine doesn't launch	Not enough oil in the crankcase	Fill up to the needed level
	Air filter is clogged	Clean or change
	Air filter is moist	Dry or change
	Fuel filter is clogged	Clean or change
	Fuel pipe is clogged	Clean fuel pipe or contact a service center
	Injector is clogged	Contact a service center
	Engine starts under load	Turn off all electricity consumers
	Low power of accumulator battery	Recharge or replace the battery
	Protection system from the low oil level in the crankcase is out of order	Contact a service center
	Electric starter is out of order	Contact a service center
The lack of engine power	Fuel lines and fuel filters are partially clogged	Clean the fuel filter and the fuel line
	Air filter is clogged	Clean or change filter elements
	There is an air in the fuel system	Contact a service center
	Insufficient engine speed	Contact a service center
	Faulty injector	Contact a service center
	High pressure fuel pump is broken	Contact a service center

ENGLISH

DESCRIPTION OF THE PROBLEM	Possible cause	Possible solution
The lack of engine power	Piston rings and cylinder are worn	Contact a service center
	The poor fuel supply	Make the maintenance or contact a service center
The engine stops	Air filter is clogged	Clean or change
	Fuel filter is clogged	Clean or change
	There is an air in the fuel system	Eliminate air leaks and bleed the fuel system
	Fuel pipe is clogged	Rinse the fuel pipe or contact a service center
	Faulty injector	Contact a service center
	High pressure fuel pump is out of order	Contact a service center
	Protection system from the low oil level in the crankcase is out of order	Contact a service center
The engine is very hot	Engine cooling system is out of order	Contact a service center
	The generator's load capacity exceeds the capacity of the generator	Reduce the load on the generator
Unstable engine's operation	There is an air in the fuel system	Eliminate air leaks and bleed the fuel system
	High pressure fuel pump is broken	Contact a service center
	Turns' controller of the engine is out of order	Contact a service center
Oil level in the crankcase increases	A pair of plunger pump or piston rings is worn	Contact a service center

DESCRIPTION OF THE PROBLEM	Possible cause	Possible solution
Increased consumption of oil	High depreciation of piston rings	Contact a service center
	The cylinder is worn	Contact a service center
A knock in the crankcase	Depreciation of main bearings or connecting rod bearings	Contact a service center
A knock in the cylinder head	Increased gap between the piston pin and connecting rod	Contact a service center
	Increased gap between the valves	Contact a service center
Engine smokes, the exhausted gases are green and dark grey	High depreciation of piston rings	Contact a service center
	A large amount of oil in the crankcase	Drain the excess oil from the crankcase
	High depreciation in the conjugation of the cylinder-piston	Contact a service center
Engine smokes, the exhausted gases are black	Faulty injector	Contact a service center
	The engine is overloaded	Reduce the load, reducing the electric power selection from the generator
	Excessively large fuel supply	Contact a service center
The electricity isn't producing	AC fuse is switched off	Switch it on
	The outlet is out of order	Contact a service center
	The generator is not excited	Contact a service center
	Capacity of the consumer exceeds the capacity of the generator	Reduce the load on the generator
	Brushes of the generator worked	Change it or contact a service center
	The stator or rotor of the generator are out of service	Contact a service center

DESCRIPTION OF THE PROBLEM	Possible cause	Possible solution
Incorrect operation, device is out of control	High vibration at the generator (shock absorbers are clogged)	Change shock absorbers or contact a service center
	Generator operates in spurts (overload)	Reduce the load, turn off consumers of the power exceeding the capacity of the generator
	Generator is out of service	Contact a service center

Warranty period of Diesel generators “Vitals” **ERS 4.6d** and **ERS 4.6dt** is 1 (one) year specified in the warranty card date of retail sale.

During the warranty period, defective parts and components will be replaced, subject to all the requirements and guidelines for damage related to improper handling, storage and transportation of the product. For warranty service, contact your nearest authorized service center.

The consumer has the right to free warranty troubleshooting, identified and presented during the warranty period due to production and design factors.

Troubleshooting warranty is made by the repair or replacement of defective parts of the product to the certified service centers. Because of the complex structure repair can last more than two weeks. The cause of the fault and determine the terms of their elimination service personnel.

**NOTE!**

Product accepted for warranty only fully equipped, carefully cleaned of dirt and dust.

Warranty becomes invalid in the following cases:

- Absence or unread warranty card.
- Improperly completed warranty card, it does not contain the date of the sale or seal (stamp) and signature of the seller, the serial number of the product.
- The presence of corrections or erasures in the warranty card.
- Complete or partial absence, unread serial number on the product, product serial number mismatch the number listed in the warranty card.
- Improper operation, in this manual, including the violation of rules of maintenance.
- Operation of defective or incomplete products, which caused its failure.
- Ingestion of product foreign substances or objects.
- The product has a significant mechanical or thermal damage, clear signs of careless handling, storage or transportation.

ШАНОВНИЙ КОРИСТУВАЧІ!

Дякуємо Вам за придбання мотокоси ТМ "Vitals".

Техніка ТМ "Vitals" розробляється за європейськими стандартами якості та з використанням сучасних технологій.

Неправильна експлуатація мотокоси і недотримання заходів безпеки може призвести до пошкодження виробу або до серйозних травм!

Дане керівництво містить всю необхідну інформацію щодо заходів безпеки при роботі мотокосою. Уважно ознайомтесь із керівництвом перед початком роботи виробом.

Будь ласка, надайте іншим користувачам дане керівництво, перш ніж вони почнуть працювати мотокосою. Дане керівництво необхідно зберігати для подальшого його використання.

Ми постійно працюємо над удосконаленням своєї продукції та, у зв'язку з цим, залишаємо за собою право на внесення змін у зовнішній вигляд, оснащення і технологію виробництва, не змінюючи основних принципів управління, без повідомлення споживача. Всі можливі зміни будуть спрямовані тільки на покращення і модернізацію виробу.

ЗНАЧЕННЯ КЛЮЧОВИХ СЛІВ



ОБЕРЕЖНО!

Позначає потенційно небезпечні ситуації, яких слід уникати, в противному разі може виникнути небезпека для життя або здоров'я.



УВАГА!

Позначає потенційно небезпечні ситуації, які можуть призвести до легких травм або до поломки виробу.



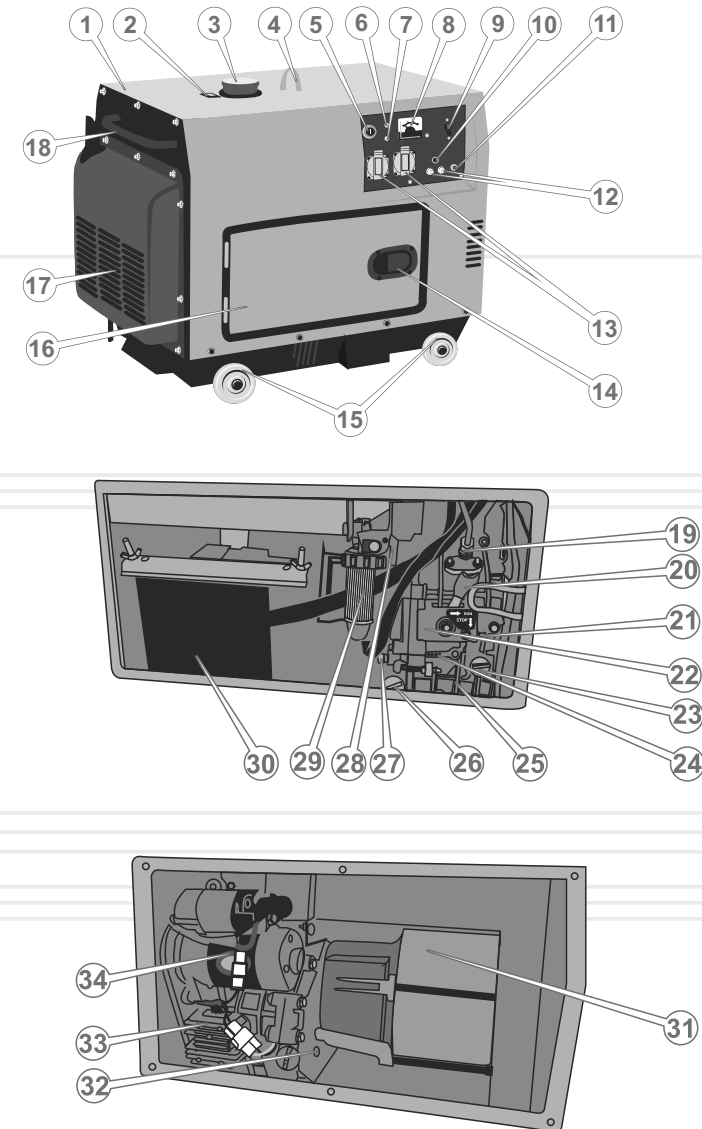
ПРИМІТКА!

Позначає важливу додаткову інформацію.

1. Рама.
2. Паливний бак.
3. Кришка паливного бака.
4. Індикатор рівня палива в баку.
5. Автоматичний запобіжник постійного струму.
6. Автоматичний запобіжник змінного струму.
7. Клема заземлення.
8. Захисний кожух.
9. Трос електромагніту, який приводить у дію важіль зупинки двигуна.
10. Повітряний фільтр.
11. Паливний насос високого тиску.
12. Захисний кожух механізму ручного стартера і вентилятора.
13. Заводна рукоятка ручного стартера.
14. Важіль регулювання подачі палива.
15. Важіль зупинки двигуна.
16. Кронштейн кріплення механізму управління подачею палива і зупинки двигуна.
17. Пробка-щуп отвору для заливання масла в картер двигуна.
18. Гвинт-фіксатор положення механізму управління подачею палива.
19. Картер двигуна.
20. Пробка отвору для зливу масла з картера.
21. Масляний фільтр.
22. Важіль декомпресійного клапана.
23. Датчик рівня масла в картері двигуна.
24. Клеми постійного струму.
25. Вольтметр.
26. Електричні розетки змінного струму.
27. Замок запалювання.
28. Генератор змінного струму.
29. Світловий індикатор «Контроль наявності масла в картері двигуна».
30. Паливний кран.
31. Акумуляторна батарея.
32. Демпферні опори.
33. Пробка-щуп отвору для заливання масла в картер двигуна.
34. Випрямляч постійного струму.
35. Електричний стартер.
36. Вихлопна труба.
37. Глушитель.

малюнок 2

ERS 4.6dt



1. Шумопоглинаючий кожух.
2. Індикатор рівня палива в баку.
3. Кришка паливного бака.
4. Вузол для підйому.
5. Замок запалювання.
6. Автоматичний запобіжник постійного струму.
7. Світловий індикатор «Контроль рівня масла в картері двигуна» (OIL ALERT LAMP).
8. Вольтметр.
9. Автоматичний запобіжник змінного струму.
10. Автоматичний запобіжник постійного струму.
11. Клема заземлення.
12. Клеми постійного струму.
13. Електричні розетки змінного струму.
14. Ручка люка.
15. Транспортувальні колеса.
16. Люк шумопоглинаючого кожуху.
17. Захисний кожух електричного генератора.
18. Транспортувальна рукоятка.
19. Паливний насос високого тиску.
20. Важіль регулювання подачі палива.
21. Важіль зупинки двигуна.
22. Кронштейн кріплення механізму управління подачею палива і зупинки двигуна.
23. Пробка-щуп отвору для заливання масла в картер двигуна.
24. Гвинт-фіксатор положення механізму управління подачею палива.
25. Картер двигуна.
26. Масляний фільтр.
27. Датчик рівня масла в картері двигуна.
28. Рукоятка паливного крану.
29. Паливний фільтр.
30. Акумуляторна батарея.
31. Генератор змінного струму.
32. Пробка-щуп отвору для заливання масла в картер двигуна.
33. Випрямляч постійного струму.
34. Електричний стартер.

1. Електростанція.
2. Ключ запалювання (2 шт.).
3. Транспортувальні колеса з осями і кріпленням до рами.
4. Керівництво з експлуатації.

**ПРИМІТКА!**

Завод-виробник залишає за собою право вносити у зовнішній вигляд, конструкцію та комплект поставки електростанції незначні зміни, які не впливають на роботу виробу.

МОДЕЛЬ		ERS 4.6d	ERS 4.6dt
Генератор електричного струму	Напруга змінного струму, В	230	
	Частота струму, Гц	50	
	Номинальна потужність, кВА	4,6	
	Максимальна потужність, кВА	5,0	
	Коефіцієнт потужності (cos φ)	1	
	Потужність постійного струму	12 В - 8,3 А	
	Регулятор напруги	автоматичний (AVR)	
Двигун	Тип	одноциліндровий вертикальний чотиритактний дизельний двигун з прямим вприскуванням палива і примусовим повітряним охолодженням	
	Потужність, к.с.	9,0	
	Робочий об'єм, см ³	418	
	Система запуску	ручний та електричний стартер	електричний стартер
	Паливо	дизельне	
	Ємність паливного бака, л	14	16
	Середній час безперервної роботи, год	8,5	10,0
	Обсяг масла в картері, л	1,65	
	Рівень шуму, дБ	84	69
	Датчик низького рівня масла в двигуні	+	+
	Шумопоглинаючий кожух	-	+
	Габарити	Габарити (ДхВхШ), мм	735x495x605
Вага нетто/брутто, кг		92/95	161/171

Обидві моделі забезпечені автоматичним регулятором напруги, клемми постійного струму, акумуляторною батареєю, електричним стартером та системою захисту двигуна у випадку низького рівня масла в картері.

Автоматичний регулятор напруги (AVR)

На електростанціях встановлено сучасний автоматичний регулятор напруги, який забезпечує стабільність вихідної напруги на протязі всього діапазону навантажень. Якість енергії електростанцій, які оснащені регулятором напруги, дозволяє використовувати дані вироби для забезпечення електроживленням складного електронного устаткування, засобів зв'язку, спеціальних та побутових споживачів (комп'ютери, телевізори, котли тощо).

Вивід постійного струму

Електростанції оснащені виводом постійного струму 12 В, який використовується, в основному, для зарядки автомобільних акумуляторних батарей (12 В). Клема червоного кольору є позитивною (+), клема чорного кольору – негативною (-). Чорний кабель приєднується до корпусу виробу («Маса»). Підключення повинно проводитися згідно полярності.

Система захисту від низького рівня масла в картері двигуна

Дана аварійна система розроблена з метою запобігання виходу з ладу двигуна у випадку недостатньої кількості масла в його картері. Якщо масла в картері двигуна менше визначеного рівня, система захисту зупинить двигун, не допустивши його пошкодження. При цьому буде світитися світловий індикатор «OIL ALERT LAMP».



ПРИМІТКА!

Якщо відбулася зупинка двигуна аварійною системою захисту, ключ запалювання двигуна залишиться в положенні «ON» («ВКЛ»).

4.1. ВАЖЛИВА ІНФОРМАЦІЯ З БЕЗПЕКИ

Перш ніж розпочати експлуатацію електростанції, уважно ознайомтеся з вимогами щодо техніки безпеки, інструкціями та попередженнями, викладеними в цьому керівництві.

Більшість травм під час роботи виробу виникає в результаті недотримання основних положень правил техніки безпеки. Травм і нещасних випадків можна уникнути, якщо суворо дотримуватися заходів безпеки і завчасно передбачити потенційну небезпеку.

Ні за яких обставин не використовуйте виріб способом або в цілях, не передбачених даним керівництвом.

Неправильна експлуатація виробу або експлуатація ненавченою людиною може призвести до нещасного випадку.

ОБЕРЕЖНО!

Забороняється експлуатація виробу непідготовленими до роботи людьми.

**УВАЖНО ОЗНАЙОМТЕСЯ З УСІМА ІНСТРУКЦІЯМИ**

Для безпечної експлуатації виробу необхідно ознайомитися з інструкціями і пройти відповідне навчання. Неправильна експлуатація виробу або експлуатація ненавченою людиною може бути небезпечною для життя і здоров'я. Уважно ознайомтеся з усіма складовими електростанції. Вивчіть, як зупинити двигун електростанції у разі потреби. Недотримання наведених нижче інструкцій може призвести до ураження електричним струмом, призвести до смерті людини, завдати серйозної шкоди його здоров'ю або майну.

**НЕБЕЗПЕКА ПАРІВ ДИЗЕЛЬНОГО ПАЛИВА ТА ВІДПРАЦЬОВАНИХ ГАЗІВ**

Вдихання парів дизельного палива, а також відпрацьованих газів, в залежності від концентрації їх в атмосфері, може призвести до втрати свідомості або смерті.

Частий та тривалий вплив на шкіру людини дизельного палива викликає подразнення шкіри, а токсичність відпрацьованих газів надає дуже виражену подразнюючу дію на слизові оболонки дихальних шляхів та очей, яка пов'язана з наявністю в складі вихлопних газів значної кількості сірчистого ангідриду, альдегідів, а також димових частинок.

Склад відпрацьованих газів в атмосфері коливається в значній мірі та залежить від типу двигуна, режиму його роботи і навантаження, технічного стану, а також якості палива.

Під час запуску електростанції в замкнутому просторі або у приміщенні з обмеженим доступом повітря, концентрація відпрацьованих газів дуже небезпечна для здоров'я і життя людини. Щоб уникнути скупчення в атмосфері відпрацьованих газів необхідно забезпечити належну вентиляцію приміщення, в якому експлуатується виріб.

ОБЕРЕЖНО!

Не вмикайте електростанцію в замкнутому приміщенні, яке не забезпечене належною вентиляцією та витяжками.

**УВАГА!**

Категорично забороняється самостійно змінювати вихлопний тракт двигуна електростанції. Не приварюйте до глушителя муфту з метою подальшого подовження металевих рукавів і труб, а також не використовуйте саморобні глушители.





НЕБЕЗПЕКА ЕЛЕКТРИЧНОГО ШОКУ

У разі неправильної роботи електростанції існує небезпека електричного шоку або смерті від ураження електричним струмом. Використання електростанції або інших електричних приладів в умовах підвищеної вологості, біля води, на мокрій траві, під час дощу або снігопаду, може призвести до смерті від ураження електричним струмом. Завжди тримайте генератор електричного струму в сухому виді.

Електростанція не призначена для експлуатації та зберігання незахищеною на відкритому повітрі.

Волога або лід можуть призвести до неправильної роботи виробу або до замикання електричних частин, що може також призвести до смерті внаслідок ураження електричним струмом.

Кожного разу, перш ніж почати експлуатацію виробу, перевіряйте справність всіх електричних частин електростанції.

Перш ніж підключити споживачі електроенергії до електростанції, попередньо заземліть виріб. Недотримання цього призведе до смерті людини або виведення виробу з ладу.



НЕБЕЗПЕКА ВИНИКНЕННЯ ПОЖЕЖИ

Глушитель двигуна під час роботи дуже сильно нагрівається, а також деякий час залишається гарячим після зупинки, що може призвести до займання матеріалів, які знаходяться поруч. Не торкайтеся частинами тіла глушителя – небезпека отримання опіків. Забороняється накривати електростанцію під час роботи і до повного охолодження двигуна після його зупинки. Не використовуйте виріб ближче 10 метрів від місцезнаходження легкозаймистих матеріалів.

ОБЕРЕЖНО!



Паливо легко займається. Перш ніж заправити виріб паливом, зупиніть двигун і дайте йому повністю охолонути.

Не заправляйте виріб паливом біля вогню або в місці, де можуть утворитися іскри.

Забороняється курити поряд з електростанцією.

Завжди перевіряйте, чи немає течі палива. Паливо, яке пролилося на виріб, насухо витріть.

Забороняється гасити вогонь водою.

У разі, якщо паливо зайнялося, зупиніть двигун, перекривши подачу палива до двигуна. Полум'я гасить лише вуглекислотними вогнегасниками або накрийте осередок полум'я повстю, брезентом і т.д. У разі відсутності вищезазначених засобів, локалізуйте полум'я піском або землею.

4.2. БЕЗПЕКА ЕКСПЛУАТАЦІЇ

1. НЕ ДОЗВОЛЯЙТЕ КОРИСТУВАТИСЯ ВИРОБОМ ДІТЯМ І ОСОБАМ З ОБМЕЖЕНИМИ МОЖЛИВОСТЯМИ.
2. БУДЬТЕ ПОВНІСТЮ СКОНЦЕНТРОВАНІ НА РОБОТІ.
Не відволікайтеся під час під'єднання силових кабелів, запуску і зупинки двигуна електростанції, оскільки це може викликати втрату контролю і стати причиною отримання травм різного ступеню тяжкості.
3. НЕ ПІДКЛЮЧАЙТЕ СИЛОВІ КАБЕЛІ, НЕ ЗАПУСКАЙТЕ ДВИГУН І НЕ ЕКСПЛУАТУЙТЕ ВИРІБ У ВИПАДКУ ХВОРОБИ, У СТАНІ СТОМЛЕННЯ, НАРКОТИЧНОГО АБО АЛКОГОЛЬНОГО СП'ЯНИННЯ, А ТАКОЖ ПІД ВПЛИВОМ СИЛЬНОДІЮЧИХ ЛІКАРСЬКИХ ПРЕПАРАТІВ, ЯКІ ЗНИЖУЮТЬ ШВИДКІСТЬ РЕАКЦІЇ Й УВАГУ.
4. СТЕЖТЕ ЗА ЦІЛІСНІСТЮ ТА СПРАВНІСТЮ ВИРОБУ.
Не вмикайте та не експлуатуйте виріб у випадку наявності пошкоджень, з ненадійно закріпленими силовими кабелями, частинами і деталями електростанції.

5. НАДІВАЙТЕ ВІДПОВІДНИЙ ОДЯГ ТА ВЗУТТЯ ПІД ЧАС ЕКСПЛУАТАЦІЇ ВИРОБУ.

Працюючи з виробом, надівайте облягаючий одяг і застібніть всі ґудзики, зніміть обручку (перстень, каблучку), ланцюжки, браслети (якщо такі є), щоб запобігти можливості їх потрапляння в частини електростанції, які рухаються. Обувайте взуття з підошвою, яка на не ковзає. Для захисту органів слуху використовуйте навушники або беруші. Під час під'єднання силових кабелів, надівайте гумові рукавички або рукавиці.

6. НЕ ТОРКАЙТЕСЯ ДЕТАЛЕЙ ВИРОБУ, ЯКІ ОБЕРТАЮТЬСЯ.

Не підносьте руки, пальці та інші частини тіла до частин електростанції, які обертаються.

7. НЕ ДОТОРКУЙТЕСЬ ДО ЕЛЕКТРИЧНИХ ПРОВІДІВ, РОЗ'ЄМІВ І КЛЕМ ПІД ЧАС РОБОТИ ЕЛЕКТРОСТАНЦІЇ.

Під час роботи виробу силові кабелі знаходяться під високою напругою – небезпека електричного шоку або смерті.

8. ПІД ЧАС РОБОТИ ЕЛЕКТРОСТАНЦІЇ НЕ ПІДПУСКАЙТЕ ДО НЕЇ СТОРОННІХ ЛЮДЕЙ І ТВАРИН БЛИЖЧЕ 5 МЕТРІВ.

9. ПІД ЧАС ТЕХНІЧНОГО ОБСЛУГОВУВАННЯ ВИРОБУ ВИКОРИСТОВУЙТЕ ЛИШЕ ОРИГІНАЛЬНІ ЗАПАСНІ ЧАСТИНИ.

10. НЕ РОЗМІЩУЙТЕ ПОРУЧ З ЕЛЕКТРОСТАНЦІЄЮ ЛЕГКОЗАЙМИСТІ МАТЕРІАЛИ.

Поруч з електростанцією не повинні знаходитися паливо, машинне масло, сірники, замащений одяг, солома, сміття та інші легкозаймисті матеріали.

11. НЕ НАКРИВАЙТЕ ЕЛЕКТРОСТАНЦІЮ.

Електростанція оснащена примусовою системою повітряного охолодження і, якщо її накрити, двигун може перегрітися.

12. ЕЛЕКТРОСТАНЦІЯ ПОВИННА БУТИ ВСТАНОВЛЕНА НА ГОРИЗОНТАЛЬНІЙ ПОВЕРХНІ.

Немає необхідності виробляти спеціальну підставку для виробу, тим не менш, електростанцію не можна встановлювати на нерівній поверхні (кут нахилу не повинен перевищувати 20 градусів), в іншому випадку будуть створюватися вібрації.

Якщо в процесі роботи електростанції відсутнє стійке її положення, виріб буде пересуватися, внаслідок чого може вилитися паливо, а також сама електростанція може перекинутися, що призведе до виникнення небезпечної ситуації.

Якщо електростанція буде встановлена на похилій поверхні, то не буде забезпечуватися належне змащування деталей двигуна, які труться, що може призвести до заклинювання поршневої групи, навіть якщо рівень масла в картері двигуна в нормі.

13. СЛІДКУЙТЕ ЗА СИЛОВИМ КАБЕЛЕМ, ЯКИЙ ПРИЄДНУЄТЬСЯ ДО СПОЖИВАЧІВ ЕЛЕКТРИЧНОЇ ЕНЕРГІЇ.

Якщо електростанція встановлена на силовому кабелі, або кабель торкається її вібруючих частин, то кабель може бути пошкоджений. Це може призвести до небезпечної ситуації: можливість виникнення пожежі, загоряння електростанції або пошкодження електричним струмом.

14. НЕ ЗАПУСКАЙТЕ ЕЛЕКТРОСТАНЦІЮ ПІД ЧАС ДОЩУ ТА СНІГУ, АБО ЯКЩО ВАШІ РУКИ ВОЛОГІ.

Експлуатація електростанції в дощ або сніг може призвести до електричного шоку або до поломки виробу. Якщо електростанція намокла, перед запуском двигуна необхідно насухо витерти виріб. Не лийте воду на електростанцію та не мийте її.

15. ПРОЯВЛЯЙТЕ ОБЕРЕЖНІСТЬ ПІД ЧАС РОБОТИ З АКУМУЛЯТОРНОЮ БАТАРЕЄЮ.

Акумуляторна батарея випускає водневий газ, який може спалахнути під час зіткнення з відкритим вогнем. Електростанція повинна знаходитися приміщенні, яке дуже добре провітрюється. Уникайте виникнення полум'я, іскор під час роботи з акумулятором.

16. НЕ ЗАПУСКАЙТЕ ДВИГУН ЕЛЕКТРОСТАНЦІЇ, ЯКЩО ПІДКЛЮЧЕНІ СПОЖИВАЧІ.

Запуск двигуна електростанції повинен здійснюватися без підключених до виробу споживачів.

17. НЕ ПЕРЕВАНТАЖУЙТЕ ГЕНЕРАТОР ЕЛЕКТРОСТАНЦІЇ.

Потужність передбачуваного навантаження не повинна перевищувати номінальної потужності генератора. Не використовуйте силові кабелі, у яких пошкоджена ізоляція.

18. НЕ НАМАГАЙТЕСЬ САМОСТІЙНО РЕМОНТУВАТИ ДВИГУН І ГЕНЕРАТОР, ЗВЕРНІТЬСЯ ДО СЕРВІСНОГО ЦЕНТРУ.
19. НЕ ЗМІНЮЙТЕ КОНСТРУКЦІЮ ПАЛИВНОЇ СИСТЕМИ.
Не встановлюйте на виріб додаткові паливні баки, паливні фільтри, шланги, крани, електромагнітні запори, паливні насоси і т.д. не змінюйте конструкцію паливної системи для роботи на газоподібному паливі.
20. НІКОЛИ НЕ ВИКОРИСТОВУЙТЕ ПАЛЬНЕ ДЛЯ ЧИСТКИ ЕЛЕКТРОСТАНЦІЇ.
Для чищення виробу використовуйте тільки нетоксичні розчинники, які неспроможні привести до виникнення пожежі та пошкодження деталей електростанції.
21. ЗАПРАВЛЯТИ ВИРІБ ПАЛЬНИМ НЕОБХІДНО ЛИШЕ ЯКЩО ДВИГУН ЗУПИНЕНИЙ, У ПРИМІЩЕННІ, ЯКЕ ДОБРЕ ПРОВІТРЮЄТЬСЯ. НЕ ДОПУСКАЙТЕ, ЩОБ ПІД ЧАС ЗАПРАВКИ ПАЛИВО НЕ ПРОЛИЛОСЯ НА ВИРІБ І ЗЕМЛЮ.
22. НЕ РОЗВОДЬТЕ ВОГОНЬ БЛИЖЧЕ 20 МЕТРІВ ВІД РОЗТАШУВАННЯ ЕЛЕКТРОСТАНЦІЇ.

**УВАГА!**

Постійно слідкуйте за справністю виробу. У випадку відмови в роботі, появи запаху, характерного для горілої ізоляції, сильного стуку, шуму, вібрації, полум'я, іскор, негайно зупиніть двигун і зверніться до сервісного центру.

4.3. ЗАЗЕМЛЕННЯ**ОБЕРЕЖНО!**

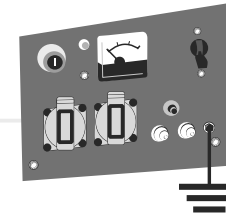
Категорично забороняється використовувати електростанцію без заземлення!

Заземлення запобігає можливість електричного шоку. Для заземлення виробу використовуйте дрід заземлення і заземлювач (у комплект поставки електростанції не входять) (див. мал. 3).

**УВАГА!**

Дрід заземлення повинен мати переріз не менше 3,5 мм², бажано з крученого мідного дроту. Клема заземлення та заземлювач повинні мати надійний контакт із проводом заземлення.

малюнок 3



В якості заземлювача можуть використовуватися металеві труби системи водопостачання, каналізації, які знаходяться в землі, або металеві каркаси будівель, які мають надійне з'єднання із землею.

**ОБЕРЕЖНО!**

Щоб здійснити правильне підключення заземлення, отримаєте кваліфіковану консультацію у відповідного спеціаліста або скористайтеся його послугами.

Якщо переліченими заземлювачами ви не в змозі скористатися, використовуйте один з наступних заземлювачів:

- металеву трубу довжиною не менше 1500 мм і діаметром не менше 50 мм;
- металевий стрижень завдовжки не менше 1500 мм і діаметром не менше 15 мм;
- лист з оцинкованої сталі або сталі без покриття розміром 1500x1000 мм.

**УВАГА!**

Дане керівництво не може врахувати всіх можливих випадків, які можуть виникнути в реальних умовах експлуатації електростанції. У цьому випадку слід керуватися здоровим глуздом, дотримуватися граничної уваги і акуратності під час роботи.

5.1. ЗАСТОСУВАННЯ

Електростанції ERS 4.6d, ERS 4.6dt виробляють змінний струм напругою 230 В частотою 50 Гц і є однофазними. Ці вироби призначені для забезпечення змінним струмом різних споживачів та можуть використовуватися в якості альтернативного джерела електричного живлення: бути джерелом аварійного електроживлення будівель та будинків, використовуватися в ході проведення ремонтних робіт без доступу до основної мережі електропостачання, на дачі, на пікніку, в гаражі і т.д. Дані моделі мають вихід постійного струму напругою 12 В.

Кожна модель електростанції розрахована на певну максимальну потужність електричної енергії.

Правильний підбір потужності електростанції викладений у розділі 5.3. даного керівництва «Робота електростанції».

5.2. ПІДГОТОВКА ДО РОБОТИ

Перед початком роботи електростанції виконайте:

1. Акуратно витягніть електростанцію з пакувальної коробки, не допускайте при цьому ударів і механічного впливу на деталі виробу.
2. Встановіть виріб на горизонтальній поверхні.
3. Ретельно огляньте електростанцію на наявність пошкоджень. Зверніть увагу на цілісність всієї електричної частини виробу.
4. Перевірте шланги, заливні отвори паливного бака і масляного відсіку, паливний кран, а також інші можливі місця на наявність течі палива і масла. При необхідності усуньте недоліки.
5. Перевірте рівень масла в картері двигуна і, при необхідності, долийте масла до рівня.
6. Перевірте рівень палива в паливному баку і, при необхідності, долийте паливо. У паливному баку слід залишати невелику повітряну подушку на випадок можливого розширення парів палива.
7. Перевірте надійність кріплення основних деталей електростанції. За необхідністю зробіть підтяжку болтів і гайок.
8. Перевірте цілісність демпферних опор, у випадку необхідності замініть.

**УВАГА!**

Робота електростанції, у якій пошкоджені демпферні опори, категорично забороняється. Це може призвести до підвищеної вібрації і, як наслідок, виходу з ладу виробу.

9. Перевірте цілісність і чистоту повітряного фільтра.

**УВАГА!**

Забороняється експлуатувати виріб, якщо повітряний фільтр відсутній, або якщо забруднений фільтруючий елемент – небезпека виходу з ладу двигуна.

Двигун

Новий або нещодавно відремонтований двигун повинен пройти обкатку протягом 25 годин, тобто працювати на низькій швидкості і в умовах незначного навантаження, так як від цього залежить довговічність експлуатації двигуна.

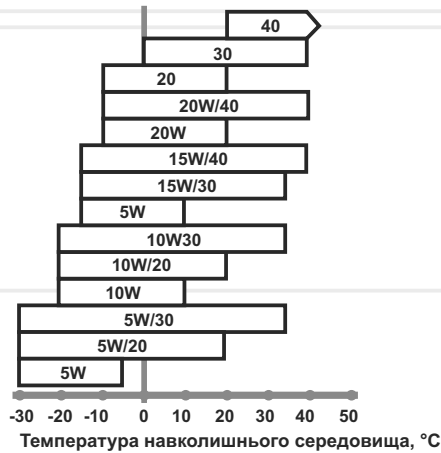
**УВАГА!**

Дизельний двигун повинен працювати з номінальною частотою обертів і навантаженням. У випадку виявлення відхилень у роботі двигуна, негайно зупиніть його, з'ясуйте причини несправностей і прийміть заходи щодо їх усунення.

Масло

Масло – основоположний чинник, який здійснює безпосередній вплив на ресурс і продуктивність двигуна. Використовуйте лише моторне масло, яке призначене для використання в двигунах, та яке відповідає специфікації згідно API SJ, SL. Рекомендована в'язкість моторного масла: SAE 10W30. Інші типи в'язкості масла, зазначені в таблиці (див. мал. 4), можуть використовуватися тільки в тих випадках, коли середня температура повітря в регіоні, в якому експлуатується виріб, перебуває у відповідному діапазоні.

малюнок 4

**ПРИМІТКА!**

Електростанції поставляються без масла в картері двигуна!

**УВАГА!**

Експлуатація виробу, в картері двигуна якого відсутнє масло, категорично заборонено.

Перш ніж почати експлуатувати щойно придбаний виріб, залийте в картер двигуна електростанції 1,65 л моторного масла (спеціальне масло, призначене для дизельних двигунів).

**ПРИМІТКА!**

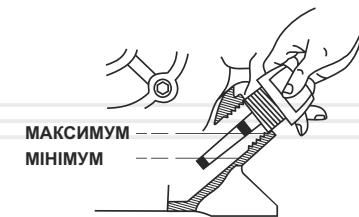
Забороняється використовувати електростанцію, якщо в картері двигуна недостатня або надмірна кількість моторного масла.

Забороняється заливати в картер двигуна масло, яке втратило свої властивості, а також масло, не призначене для використання в двигуні. Не використовуйте спеціальних надбавок до масла. Не змішуйте масло з паливом.

Для заправки масла:

1. Ретельно очистіть (!) поверхню навколо пробки-щуп отвору для заливки масла в картер двигуна і саму пробку від забруднень, щоб не допустити попадання частинок пилу і бруду всередину картера.
2. Відкрутіть пробку-щуп, насухо протріть її.
3. Залийте в маслоналивну горловину необхідну кількість масла (використовуйте лійку, щоб не пролити масло).
4. Щоб заміряти рівень масла, вставте в маслоналивну горловину пробку-щуп, але не закручуйте її. Вийміть пробку-щуп і перевірте рівень масла. Якщо рівень масла нижче мінімальної позначки на щупі, долийте масло до рівня верхньої межі (нижній край заливної горловини) (див. мал. 5).
5. Щільно закрутіть пробку-щуп.
6. Якщо масло пролилося на корпус виробу, витріть насухо.

малюнок 5

**УВАГА!**

Регулярно міняйте масло. Першу заміну масла здійсніть після закінчення періоду обкатки двигуна (25 годин), наприкінці першого місяця експлуатації, а потім – один раз на шість місяців або після кожних 100 годин роботи двигуна.

**Масляний фільтр**

Масляний фільтр призначений для видалення забруднень із моторного масла шляхом фільтрації (див. малюнок 1 (поз. 21) – модель ERS 4.6d, малюнок 2 (поз. 26) – ERS 4.6dt).

УВАГА!

Перевірка стану масляного фільтра, його очищення і заміна повинні здійснюватися згідно з регламентом (див. розділ 6 даного керівництва «Технічне обслуговування»).



Паливо

**ПРИМІТКА!**

Пристрій поставляється без палива в паливному баку. Перед кожним використанням пристрою заправте паливний бак дизельним паливом.

Під час заправки використовуйте тільки чисте, свіже дизельне паливо. Дизельне паливо перед заправкою слід відфільтрувати за допомогою шовкової тканини або відстояти протягом 24 годин. Не допускайте попадання пилу, бруду, сміття або води в паливо і паливний бак.

Рівень дизельного палива в паливному баку слід перевіряти перш ніж запустити двигун електростанції. Якщо двигун зойно зупинено, почекайте 4-5 хвилин або більше, для того щоб двигун охолонув і тільки після цього здійсніте заправку паливом. Заправку паливом слід здійснювати так, щоб в паливному баку залишалася повітряна подушка для можливого розширення парів палива під час його нагрівання. Максимальний рівень палива під час заправки повинен бути на 2-3 см нижче нижнього зрізу заливної горловини паливного бака.

Паливний фільтр

Обидві моделі забезпечені паливним фільтром, який забезпечує видалення з палива механічних домішок, а також віддалення порівняно великих механічних частинок та води шляхом їх відстоювання.

**ПРИМІТКА!**

Паливний фільтр в моделі ERS 4.6d встановлений в середині паливного бака.

Засмічений паливний фільтр може стати причиною важкого запуску двигуна, втрати його потужності, а також некоректної роботи. Крім цього, забруднений паливний фільтр може суттєво скоротити термін служби двигуна.

УВАГА!

Заправку паливом слід проводити тільки при зупиненому двигуні!

Повітряний фільтр

На двигуні електростанції встановлений повітряний фільтр із сухим фільтруючим елементом, стан якого необхідно перевіряти на початку кожного запуску двигуна. Дуже рекомендуємо перевіряти стан повітряного фільтра та здійснювати його заміну згідно з регламентом (див. розділ 6 даного керівництва «Технічне обслуговування»).

УВАГА!

Попадання масла або палива на паперовий фільтруючий елемент фільтру неприпустимо.

Забруднений фільтруючий елемент повітряного фільтру може стати причиною важкого запуску двигуна, втрати його потужності, а також некоректної роботи. Крім цього, забруднений повітряний фільтр може суттєво скоротити термін служби двигуна.

УВАГА!

Заборонено запускати двигун електростанції, якщо повітряний фільтр не встановлено на виріб, або якщо кришка повітряного фільтра незакріплена.

5.3. РОБОТА ЕЛЕКТРОСТАНЦІЇ

УВАГА!

Перш ніж почати експлуатацію виробу, слід провести обкатку двигуна. Детально про це читайте в розділі далі.

**ОБЕРЕЖНО!**

Переконайтеся, що автоматичний запобіжник змінного струму відключений! Забороняється запуск двигуна електростанції, якщо до виробу підключені споживачі електричної енергії. Якщо споживачі підключені до виробу, то це ускладнює запуск двигуна електростанції і може вивести його з ладу.

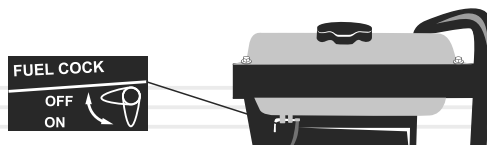
**ПРИМІТКА!**

Двигун моделі ERS 4.6d може бути запущений як за допомогою ручного стартера, так і електричного. Двигун моделі ERS 4.6dt не забезпечений ручним стартером і запускається тільки за допомогою електричного стартера.

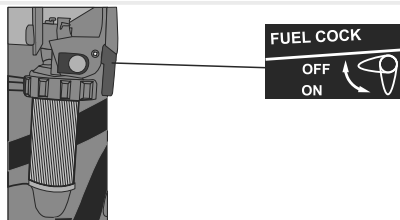
ЗАПУСК ДВИГУНА ЕЛЕКТРИЧНИМ СТАРТЕРОМ

1. Установіть на штатне місце акумуляторну батарею. Дотримуючись полярності, приєднайте силові кабелі до акумуляторної батареї (чорний «Маса» до «-», червоний від стартера до «+»).
2. Відкрийте паливний кран: поверніть рукоятку паливного крана «FUEL COCK» в положення «ON» («OPEN») (див. мал. 6 – модель ERS 4.6 d, мал. 7 – модель ERS 4.6dt).

малюнок 6

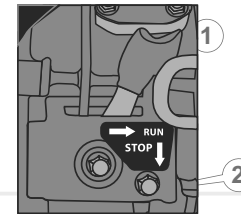


малюнок 7



3. Перемістіть рукою важіль регулювання подачі палива в напрямку стрілки в положення «RUN» (див. мал. 8).

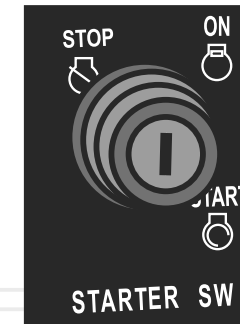
малюнок 8



1. Важіль регулювання подачі палива
2. Важіль зупинки двигуна

4. Вставте ключ запалювання в замок запалювання і поверніть в положення «START» (див. мал. 9). Тримайте ключ в цьому положенні до тих під, поки двигун не заведеться, після чого відпустіть ключ запалювання. Щоб уникнути виходу з ладу електростанції, не слід тримати ключ у положенні «START» більше 15 сек.

малюнок 9

**УВАГА!**

Якщо двигун не запустився протягом 15 секунд, відпустіть ключ запалювання, почекайте 15-20 секунд (це дозволить акумулятору відновитися і видати при наступній спробі максимальний пусковий струм) і спробуйте знову.

**ПРИМІТКА!**

Якщо в картері недостатньо масла, двигун не запуститься. Перевірте рівень масла і, при необхідності,

5. Прогрійте двигун, давши йому попрацювати протягом 5 хвилин в режимі холостого ходу, поки не будуть установлені стійкі оберти.

ЗАПУСК ДВИГУНА РУЧНИМ СТАРТЕРОМ (ТІЛЬКИ МОДЕЛЬ ERS 4.6D)

1. Відкрийте паливний кран – перемістіть рукоятку паливного крана («FUEL COCK») в положення «ON» (див. мал. 6).
2. Перемістіть рукою важіль регулювання подачі палива в напрямку стрілки в положення «RUN» (див. мал. 8).
3. Візьміться за рукоятку стартера і повільно потягніть її до тих пір, поки не відчуєте опір.
4. Опустіть вниз важіль декомпресійного клапана («DECOMPRESSION LEVER») (див. мал. 10).
5. Міцно взявшись (можна двома руками) за рукоятку стартера, різко і енергійно потягніть її на всю довжину троса. При цьому треба діяти акуратно, щоб не вирвати трос із кріплення. Робіть так до тих пір, поки двигун не запуститься. Важіль декомпресійного клапана повернеться у вихідне положення автоматично, коли Ви потягнете за ручку стартера.

малюнок 10



1. Важіль декомпресійного клапана

**УВАГА!**

Не тягніть за трос ручного стартера, якщо двигун запущено, так як при цьому двигун може вийти з ладу. Не допускайте, щоб трос стартера різко повертався у вихідне положення, поверніть його повільно вручну.

6. Прогрійте двигун, давши йому попрацювати протягом 3-5 хвилин в режимі холостого ходу, поки не встановляться стійкі оберти.

**УВАГА!**

Не слід прогрівати двигун на високих обертах, так як при цьому зменшується ресурс двигуна.

**УВАГА!**

Перевірте зовнішню герметичність з'єднань корпусу двигуна, паливної системи та системи вихлопу відпрацьованих газів.

Якщо двигун не запустився з трьох спроб:

- перевірте паливо на наявність у ньому механічних домішок та води;
- перевірте стан і чистоту фільтруючих елементів повітряного фільтра;
- перевірте рівень масла в картері двигуна;
- повторіть запуск двигуна.

**ПРИМІТКА!**

Якщо після виконання цих заходів запустити двигун Вам не вдається, зверніться до розділу 8 цього керівництва «Можливі несправності та шляхи їх усунення» або до сервісного центру.

ЗАПУСК ДВИГУНА У ХОЛОДНУ ПОРУ РОКУ

Температура навколишнього повітря нижче 0 °С викликає:

- зі збільшенням в'язкості масла в картері двигуна зростають опір обертання колінчастого валу та руху поршня, а також обертання шестерних передач;
- зі збільшенням в'язкості дизельного палива знижується тиск палива, який нагнітається в форсунку паливного насоса високого тиску;
- зі зменшенням енергії акумуляторної батареї зменшується момент, який розвивається електричним стартером під час запуску дизельного двигуна.

Для надійного запуску дизельного двигуна при температурі нижче 0 °С:

- використовуйте тільки якісне зимове паливо;
- злийте масло з картера, підігрійте його і залийте тепле масло в патрубок отвору для заливання масла;
- для того, щоб підігріти масло в картері двигуна використовуйте передпускові підігрівачі, які засновані на використанні гарячої води, пари;
- викрутіть заглушку масляного отвору в голівці двигуна, налейте в отвір 2 см³ моторного масла, щільно закрутіть заглушку і відразу ж заводьте двигун. У процесі експлуатації двигуна тримайте заглушку щільно закрученою, інакше двигун може почати всмоктувати пил, що призведе до виходу двигуна з ладу;
- не відпускайте ключ запалювання з положення «START» відразу після перших спалахів палива в циліндрі, прокрутіть двигун який починає запускатися стартером кілька секунд до появи рівномірних спалахів (у цей час двигун може працювати не на холостих обертах, а рівномірно на знижених обертах);
- звертайте увагу на відпрацьовані гази. Якщо з вихлопної труби глушителя виходять сині стовпи диму, то відбувається «холодне» згорання палива.

ОБЕРЕЖНО!

З метою забезпечення легкого запуску двигуна забороняється використовувати відкритий вогонь під час розігріву масла в картері, додавати в повітряний забірник летючі рідини, такі, як ефір, гас, бензин, уайтспірит, так при цьому може статися займання або вибух двигуна.

ЗУПИНКА ДВИГУНА

1. Вимкніть споживачі електроенергії і дайте попрацювати двигуну на холостих обертах протягом 1-2 хвилин.



УВАГА!

Раптова зупинка двигуна може призвести до небажаного збільшення температури і скорочення терміну служби двигуна.

2. Вимкніть автоматичний запобіжник змінного струму на панелі управління електростанції.
3. Поверніть ключ запалювання в положення «STOP» (див. мал. 9). При цьому спрацює електромагніт, який за допомогою троса приведе в дію важіль зупинки двигуна.
4. У випадку аварійної ситуації, коли важіль зупинки двигуна не приводиться в дію способом, зазначеному у попередньому пункті, натисніть рукою на важіль зупинки двигуна вниз по стрілці «STOP» (див. мал. 8).
5. Після зупинки двигуна закрийте паливний кран – поверніть рукоятку паливного крана («FUEL COCK») в положення «OFF» («CLOSE») (див. мал. 6, 7).
6. Повільно потягніть рукоятку ручного стартера (коли двигун повністю зупинений!), поки не відчуєте опір (це закриті положення впускного і випускного клапанів двигуна), відпустіть рукоятку. Дана процедура запобігає виникненню корозії двигуна під час його зберігання (тільки модель ERS 4.6d).



УВАГА!

Під час зупинки двигуна зменшуйте оберти двигуна повільно. Заборонено зупиняти двигун важелем декомпресійного клапана (тільки модель ERS 4.6d), оскільки це неминуче призведе до виходу з ладу двигуна.

ОБКАТКА ДВИГУНА

Одним із найголовніших моментів у процесі експлуатації виробу є обкатка нового двигуна. Якщо правильно здійснити обкатку двигуна, термін його експлуатації значно збільшиться.

Процедура обкатки двигуна

1. Запустіть двигун і дайте йому пропрацювати на холостих обертах протягом 10 хвилин. Зупиніть двигун і дайте йому повністю охолонути. Дану процедуру повторіть 5 разів.
2. Запустіть двигун і дайте йому пропрацювати на холостих обертах протягом 60 хвилин. Зупиніть двигун і дайте йому повністю охолонути.
3. Перші 25 годин роботи виробу навантаження не повинне перевищувати 50% від номінального показника. Робота електростанції повинна здійснюватися етапами. Кожен етап роботи не повинен перевищувати 3 годин.
4. Після того, як виріб напрацює 25 годин, замініть масло, попередньо здійснивши додаткову промивку двигуна: залийте 1,65 л моторного масла і дайте попрацювати двигуну протягом 10 хвилин. Злийте промивальне масло, промийте масляний фільтр і залийте нове масло. Для промивання використовуйте відповідне масло, виходячи з температури навколишнього повітря.

ПЕРШ НІЖ ВВІМКНУТИ СПОЖИВАЧІ ЕЛЕКТРОЕНЕРГІЇ

- переконайтеся, що електроприлади, які підключаються до електростанції, знаходяться в справному стані і не мають дефектів. Інакше може виникнути ураження електричним струмом або пожежа;
- упевніться, що сумарна електрична потужність всіх електроприладів, які підключаються до виробу, не перевищує номінальної потужності електростанції;



УВАГА!

Забороняється підключати до виробу електричні споживачі з потужністю, яка перевищує максимальну потужність електростанції.

- тривалість роботи електростанції в межах між номінальною та максимальною потужністю не повинна перевищувати 5 хвилин. В іншому випадку, це може призвести до виходу виробу з ладу;

- якщо використовується електричний подовжувач то переконайтеся, що він повністю розмотаний, а перетин кабелю відповідає навантаженню споживачів. Якщо подовжувач неякісний або його кабель має недостатній перетин дроту, це може призвести до перепадів напруги, перегріву кабелю і нестабільної роботи споживачів електроенергії, які підключені до виробу;
- не допускайте перевантаження електричних розеток електростанції. Кожна розетка має номінальну потужність, на яку вона розрахована. Намагайтеся розподіляти навантаження між розетками електростанції рівномірно. Максимальне струмове навантаження на одну електричну розетку електростанції не повинно перевищувати 16А.

РОЗРАХУНОК НАВАНТАЖЕННЯ ТА ПІДКЛЮЧЕННЯ

До моделей електростанцій ERS 4.6d і ERS 4.6dt можна підключати тільки однофазні споживачі електроенергії, які мають робочу напругу $230V \pm 20\%$ і частоту струму 50 Гц.

Правила розрахунку навантаження

1. Пускова потужність приладу, який підключається до електростанції, з найбільшим пусковим струмом не повинна перевищувати максимальну потужність генератора.
2. Повна споживана потужність всіх приладів (із реактивним та активним навантаженнями) не повинна перевищувати номінальної потужності електростанції.
3. Для розрахунку правильного навантаження необхідно враховувати коефіцієнт потужності електростанції.
4. Для правильної та безпечної роботи електростанції слід створити запас потужності в 20%.
5. Потужність споживача, який підключається до електростанції, не повинна перевищувати максимальної потужності розетки виробу.

**ПРИМІТКА!**

Велика кількість електричних приладів мають так звані пускові струми, які короткочасно збільшують споживану потужність електричних приладів у декілька разів. Виходячи з цього, для забезпечення електроживленням споживача слід подати на нього потужність необхідну для його запуску. Пускова потужність таких приладів не повинна перевищувати максимальної потужності електростанції. Споживач, який має найбільшу пускову потужність, до електростанції слід підключати першим.

Споживачі електроенергії за видами навантаження поділяються на активні і реактивні.

Активні – найпростіші навантаження. У споживачів з такими навантаженнями вся електрична енергія перетворюється в тепло. Приклади: лампи розжарювання, праски, обігрівачі, електроплити, фени і т.д. Для розрахунку сумарної потужності таких споживачів вистачить визначення суми потужностей цих пристроїв (потужність вказується на самому пристрої).

Реактивні навантаження мають споживачі, які обладнані електричним двигуном, де енергія додатково витрачається на створення електромагнітного поля. До таких споживачам відносяться насоси, верстати, електроінструменти, холодильники, пральні машини і т.д. Мірою реактивності є коефіцієнт потужності ($\cos \phi$). Щоб підрахувати істинне споживання електроенергії реактивних споживачів необхідно потужність розділити на $\cos \phi$. Наприклад: якщо для електричної дрилі потужністю 600 Вт значення $\cos \phi$ складає 0,8, то для її роботи потрібна потужність $600 \text{ Вт} / 0,8 = 750 \text{ Вт}$. Це необхідно враховувати під час обчислення сумарної потужності споживачів, які підключаються до електростанції. Значення $\cos \phi$ таких електроприладів зазначено на етикетці або в керівництві з експлуатації відповідного електроприладу.

Потрібно також враховувати, що кожна електростанція має власний $\cos \phi$. Наприклад, якщо даний показник дорівнює 0,8, то для роботи вище згаданої дрилі від електростанції потрібно: $750 \text{ Вт} / 0,8 = 938 \text{ Вт}$

**ПРИМІТКА!**

Моделі електростанцій ERS 4.6d і ERS 4.6dt мають коефіцієнт потужності ($\cos \phi$), рівний 1.

Щоб уникнути перевантажень електростанції слід розраховувати сумарну потужність електроприладів, які підключаються до неї, не більше 80% від номінальної потужності електростанції.

Підключати до електростанції споживачі слід лише тоді, коли двигун запущений і автоматичний запобіжник змінного струму при цьому вимкнений. Підключіть споживачі, увімкніть запобіжник змінного струму, і тільки після цього включіть споживачі. Включати декілька електроприладів слід послідовно і починати з приладу, який споживає найбільшу потужність.

УВАГА!

Двигун автоматично буде збільшувати оберти під час збільшення навантаження генератора електричного струму.

ВИКОРИСТАННЯ ВИХОДУ ПОСТІЙНОГО СТРУМУ

Електростанції ERS 4.6d і ERS 4.6dt забезпечені виходом постійного струму. Максимальна потужність постійного струму складає 12 В-8,3 А. Даний вихід призначений для зарядки акумуляторних батарей, а також для підключення споживачів постійного струму.

УВАГА!

При виникненні короткого замикання між клемми, відключається автоматичний запобіжник постійного струму.

Порядок підключення споживачів до виходу постійного струму

1. Вимкніть запобіжник змінного струму.
2. Запустіть двигун.

3. Приєднайте до клем постійного струму двожильні силові кабелі відповідної довжини і перетином не менше 6 мм² кожної жили. Надійно затягніть притискні гайки клем.
4. Дотримуючись полярності, приєднайте до силових кабелів акумуляторну батарею або споживач постійного струму.

**УВАГА!**

Під час зарядки акумуляторна батарея виробляє отруйні горючі гази. Зарядку акумулятора здійснюйте тільки на відкритому повітрі або в приміщенні, яке добре провітрюється. Уникайте виникнення полум'я та іскор під час зарядки акумуляторної батареї.

6

**ТЕХНІЧНЕ
ОБСЛУГОВУВАННЯ****ОБЕРЕЖНО!**

Перш ніж розпочати роботи з технічного обслуговування електростанції, зупиніть двигун і від'єднайте від виробу всі силові кабелі.

Електростанції ERS 4.6d і ERS 4.6dt забезпечені сучасними надійними та економічними дизельними двигунами, які розроблені з урахуванням довгострокової та безперебійної роботи. Тим не менш, дуже важливо регулярно проводити нескладні роботи з технічного обслуговування, які зазначені в даному розділі керівництва.

Надійність та довговічність роботи виробу багато в чому залежать від правильності і своєчасності проведення технічного обслуговування.

**ПРИМІТКА!**

Технічне обслуговування електростанції рекомендується проводити тільки досвідченим фахівцем. У разі виникнення труднощів під час проведення технічного обслуговування виробу, слід звернутися за допомогою до сервісного центру.

Щоразу перед початком роботи виробу:

- проведіть зовнішній огляд електростанції на предмет виявлення несправностей і пошкоджень, течі палива та масла, при виявленні – усуньте причини несправностей;
- переконайтеся в надійності кріплення двигуна і генератора на рамі, при необхідності – підтягніть кріплення. Перевірте стан демпферних опор;
- перевірте стан силових кабелів, якщо є ушкодження – замініть;
- перевірте рівень масла в картері двигуна, долийте при необхідності;
- перевірте рівень палива в паливному баку, долийте при необхідності;
- перевірте стан глушителя;
- перевірте систему охолодження двигуна;
- перевірте стан акумуляторної батареї;
- перевірте чистоту повітряного фільтра.

Періодичні перевірки та операції з технічного обслуговування електростанції

ТИП ОБСЛУГОВУВАННЯ/ РЕКОМЕНДОВАНІ ТЕРМІНИ		Щодня	Перші 25 годин роботи або 1 місяць	Кожні 50 годин роботи або 3 місяці	Кожні 100 годин роботи або 6 місяців	Кожні 300 годин роботи або 1 рік
Електростанція в цілому	очищення	•				
З'єднання та кріплення	підтяжка	•				
Моторне масло	перевірка рівня	•				
	заміна		•		•	
Повітряний фільтр	перевірка	•				
	промивання			•*		
Паливний фільтр	заміна					•*
	промивання			•*		
Масляний фільтр	заміна		•		•	
	промивання			•*		
Система охолодження	перевірка	•				
Паливний бак	промивання				•*	
	зливання залишків пального (дренаж)			•		
	очищення				•*	
Глушитель	перевірка	•				•*
Форсунка (якість вприскування палива)	перевірка				•**	
Паливний насос високого тиску	перевірка					•**
Зазори впускного та випускного клапанів	очищення та регулювання				•**	
Паливопровід	перевірка				•*	

* — Рекомендується частіше обслуговувати у випадку використання електростанції на запыленій місцевості

** — Даний тип робіт повинен виконуватися в сервісному центрі



ПРИМІТКА!

Проводячи технічне обслуговування суворо за регламентом, Ви збільшите термін служби виробу в декілька разів.

ОЧИЩЕННЯ

Очищення зовнішньої поверхні електростанції слід проводити після кожного використання та перш ніж заправляти моторним маслом і паливом. Не допускається використання електростанції, на якій присутні сліди масла та палива. Необхідно пам'ятати, що потрапляння пилу в масло двигуна або в паливо значно скорочує термін служби двигуна. Не допускайте запылення генератора електричного струму – небезпека виходу з ладу.

З'ЄДНАННЯ ТА КРІПЛЕННЯ

Електростанція забезпечена дизельним двигуном внутрішнього згорання, який створює вібрацію під час запуску і роботи виробу. Вібрація від двигуна передається на з'єднання і кріплення виробу. Регулярно перевіряйте стан затягування всіх болтів і гайок та не експлуатуйте електростанцію, якщо відсутній хоча б один болт або гайка. Крім цього, стежте за станом демпферних опор. Демпферні опори, які вийшли з ладу, стануть причиною підвищеної вібрації виробу.

УВАГА!

Перевіряйте демпферні опори на предмет зношування або пошкодження. Пошкоджені опори слід негайно замінити.

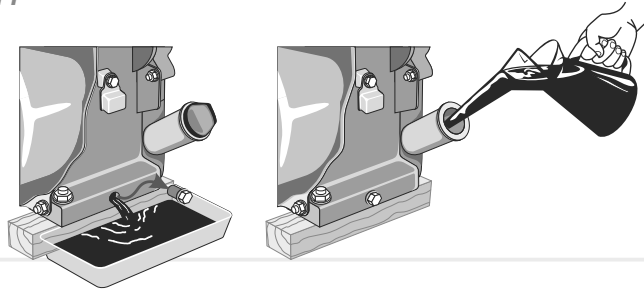
МОТОРНЕ МАСЛО

УВАГА!

Моторне масло слід замінити після перших 25 годин роботи нового двигуна. Неможна перевищувати терміну експлуатації масла. Міняйте масло суворо за регламентом.

Заливна горловина і зливний отвір двигуна

малюнок 11

**ПРИМІТКА!**

Масло необхідно зливати гарячим, тоді масло стікає повністю і змиває відкладення та шкідливі домішки, які виникають внаслідок згорання палива.

МАСЛЯНИЙ ФІЛЬТР

Електростанції ERS 4.6d і ERS 4.6dt забезпечені масляним фільтром, який дозволяє очищувати моторне масло. Промивання та заміна масляного фільтра повинні здійснюватися суворо в терміни, які зазначені в таблиці.

**ПРИМІТКА!**

Спочатку злийте відпрацьоване масло, промийте картер двигуна маслом, яке призначене для промивання, промийте або замініть масляний фільтр, а потім залийте нове моторне масло.

ПОВІТРЯНИЙ ФІЛЬТР

Засмічений повітряний фільтр може стати причиною неможливості запуску двигуна, втрати його потужності, несправної роботи і при цьому може вкрай скоротити термін служби двигуна.

**УВАГА!**

Заборонено експлуатувати виріб без встановленого фільтра, з пошкодженим фільтруючим елементом або з незакріпленою кришкою фільтра!

Повітряний фільтр слід міняти вчасно. Частинки бруду та пилу, які проникають крізь повітряний фільтр, сприяють передчасному зношуванню та виходу з ладу поршневої групи двигуна.

Промивання та заміна повітряного фільтра

1. Відкрутіть гайку-баранчик і зніміть кришку повітряного фільтра.
2. Вийміть фільтруючий елемент, промийте його або замініть.
3. Очистіть корпус повітряного фільтра від пилу та бруду.
4. Зберіть повітряний фільтр, надійно затягніть гайку-баранчик.

**УВАГА!**

Не мийте фільтруючий елемент повітряного фільтра розчинниками або м'якими засобами. Використовуйте мильну воду і м'яку щітку.

ПАЛИВНИЙ ФІЛЬТР

Паливний фільтр призначений для очищення палива, тим самим збільшуючи термін служби паливної системи та паливного насоса. Суворо регламентується його заміна за часом або у випадку надмірного забруднення. Фільтр знаходиться в прозорій колбі, що дозволяє легко визначити ступінь його забруднення. У випадку сильного забруднення фільтра краще буде промити паливний бак та паливну систему.

ПАЛИВНИЙ НАСОС, ФОРСУНКА І КЛАПАНИ

Чищення та перевірку паливного насоса, форсунки, а також перевірку зазорів клапанів повинен проводити кваліфікований фахівець. Зверніться до сервісного центру.

СИСТЕМА ОХОЛОДЖЕННЯ

Обидві моделі забезпечені примусовою системою повітряного охолодження. Регулярно перевіряйте цілісність крильчатки вентилятора охолодження двигуна (знаходиться за ручним стартером в моделі ERS 4.6d, в моделі ERS 4.6dt – з торця двигуна на місці ручного стартера). Пошкодження навіть однієї лопаті крильчатки вентилятора може призвести до перегріву двигуна. Пошкоджену крильчатку вентилятора замініть негайно.



УВАГА!

Заборонена робота двигуна з пошкодженою крильчаткою вентилятора повітряного охолодження. Пошкоджена крильчатка може призвести до перегріву двигуна а також до передчасного виходу його з ладу.

ПАЛИВНИЙ БАК

Рекомендується здійснювати очищення паливного бака і паливного фільтра кожні 100 годин роботи або кожні 6 місяців. У разі необхідності дану процедуру виконуйте частіше. Ці заходи дозволять збільшити термін служби паливної системи двигуна.

Очищати паливний бак і паливний фільтр слід паливом.

ПАЛИВОПРОВІД

Паливопровід виготовлений із гумотехнічних виробів, які схильні до впливу навколишнього середовища і механічних впливів. Це не означає, що паливопровід виконаний із матеріалу низької якості. У кожного матеріалу є свій термін експлуатації і йому притаманні властивості старіння. Паливопровід є важливим елементом двигуна, йому слід приділяти підвищену увагу. Для запобігання можливої течі палива слід робити своєчасну перевірку стану паливопроводу і, якщо необхідно, його своєчасну заміну.



ПРИМІТКА!

У випадку виникнення труднощів під час виконання заходів технічного обслуговування електростанції, слід звернутися за допомогою до сервісного центру.

ГЛУШИТЕЛЬ

На початку кожного використання електростанції перевіряйте стан глушителя та надійність його кріплення:

- на місці з'єднання глушителя з випускним колектором двигуна не повинно бути слідів сажі, які негативно впливають на пропускну здатність відпрацьованих двигуном газів;
- на стінках корпусу глушителя не повинно бути прогарів;
- вихлопна труба глушителя не повинна бути закрита сторонніми предметами, які перешкоджають виходу відпрацьованих газів.

При виявленні будь-яких несправностей в глушителі, зверніться до сервісного центру.

ТРАНСПОРТУВАННЯ ТА ЗБЕРІГАННЯ

ОБЕРЕЖНО!

Електростанція дуже важка. Під час транспортування виробу чітко дотримуйтесь вказаних інструкцій.

УВАГА!

Не торкайтеся двигуна і системи вихлопу під час роботи двигуна: вони гарячі і можуть стати причиною пожежі або опіку. Перш ніж транспортувати електростанцію дайте двигуну повністю охолонути.

УВАГА!

Не передвигаєте та не переносьте електростанцію, якщо двигун працює, а також якщо підключені до виробу споживачі електроенергії.

ТРАНСПОРТУВАННЯ

Щоб уникнути можливого витоку палива під час транспортування електростанції закрийте паливний кран.

Транспортування електростанції допускається лише у тому випадку, коли виріб розташований горизонтально. В іншому випадку може відбутися витік масла і палива.

Забороняється транспортування виробу на великі відстані за наявності палива в паливному баку – небезпека витоку.

Завантаження та розвантаження електростанції необхідно здійснювати з використанням спеціально розробленого вузла для підйому виробу або за захисну раму.

ПРИМІТКА!

Для зручності транспортування електростанції моделі ERS 4.6d передбачені транспортувальні колеса, а для моделі ERS 4.6dt – транспортувальні колеса та транспортувальна рукоятка.

Перш ніж транспортувати електростанцію, встановіть на виріб транспортувальні колеса.

Подбайте про те, щоб не пошкодити електростанцію під час транспортування. Не розміщуйте на виробі важкі предмети.

ЗБЕРІГАННЯ

Якщо виріб не використовується тривалий час (більше 2 місяців), його необхідно зберігати в сухому приміщенні, яке добре провітрюється, при температурі від -15 °C до +55 °C та відносній вологості повітря не більше 90%, уклавши виріб від попадання на нього пилу і дрібного сміття. Наявність у повітрі парів кислот, лугів та інших агресивних домішок не допускається.

Під час підготовки до тривалого зберігання:

1. Запустіть двигун і прогрійте його на протязі 2-5 хвилин.
2. Злийте масло з картера двигуна. Промийте картер, масляний фільтр і залийте в картер нове моторне масло.
3. Злийте паливо з паливного бака і паливної системи. Пам'ятайте, що паливо надзвичайно вогненебезпечне і за певних умов є вибуховою речовиною.
4. Залийте в отвір, який присутній на клапанній кришці двигуна 2-3 см³ моторного масла і щільно закрийте отвір пробкою.
5. Перемістіть важіль декомпресійного клапана в нижнє положення, яке відповідає відсутності декомпресії.
6. Два-три рази потягніть за ручку ручного стартера.
7. Повільно потягніть ручку стартера, доки не відчуєте опір. У цьому місці поршень перебуває у верхній точці (стадія стиснення), впускний і випускний клапани закриті. Зберігання двигуна в цьому положенні допоможе захистити його робочу камеру від внутрішньої корозії.
8. Очистіть виріб від бруду та пилу. Тонким шаром нанесіть мастило на місця, які схильні до корозії.
9. Установіть електростанцію на рівній горизонтальній поверхні і накрийте її чистим сухим матеріалом.

Після зняття виробу з довгострокового зберігання:

1. Від'єднайте паливний кран і ретельно його промийте.
2. Встановіть на місце паливний кран.
3. Закрийте паливний кран, залийте 1-1,5 літра дизельного палива в бак і, похитуючи електростанцію в різні сторони, промийте бак. Злийте паливо.
4. Перевірте рівень масла в картері двигуна.

УВАГА!

Зберігати виріб в одному приміщенні з горючими речовинами, кислотами, лугами, мінеральними добривами та іншими агресивними речовинами забороняється.



МОЖЛИВІ НЕСПРАВНОСТІ ТА ШЛЯХИ ЇХ УСУНЕННЯ

ОПИС НЕСПРАВНОСТІ	Можлива причина	Шляхи усунення
Двигун не запускається	Вимкнений двигун	Переведіть ключ запалювання в положення "ON"
	Паливний фільтр не просочений паливом	Після установки нового паливного фільтра і заправки паливного бака почекайте 10 хвилин, поки фільтр не просочиться паливом
	Несправний паливний насос високого тиску	Зверніться до сервісного центру
	Недостатня кількість палива в баку	Зверніться до сервісного центру
	Недостатня кількість палива в баку	Залийте в паливний бак якісне (відстояне) дизельне паливо
	Закритий паливний кран	Відкрийте кран
	Залите неякісне або невідповідне характеристикам паливо	Злийте і залийте якісне (відстояне) дизельне паливо
	Холодна погода. 1. Масло стає більш в'язким 2. Паливо стає густим, втрачає текучість	1. Злийте масло з картера, підігрійте його і залийте тепле масло в патрубок отвору для заливання масла 2. Використовуйте зимове паливо
	Несправність паливної системи. У паливо потрапила вода	Почистіть фільтр паливного бака і паливопровід, замініть паливо
	Переривчаста подача палива	Недостатня кількість палива в баку, паливо засмічене – долийте або замініть паливо
	Неповне згорання палива	Зверніться до сервісного центру
	Важіль регулювання подачі палива встановлений у положення «STOP»	Установіть важіль регулювання подачі палива в положення «RUN»

ОПИС НЕСПРАВНОСТІ	Можлива причина	Шляхи усунення
Двигун не запускається	Низький рівень масла в картері двигуна	Залийте масло в картер
	Засмічений повітряний фільтр	Почистіть або замініть
	Повітряний фільтр вологий	Висушіть або замініть
	Засмічений паливний фільтр	Почистіть або замініть
	Засмічений паливопровід	Помийте паливопровід або зверніться до сервісного центру
	Засмічена форсунка	Зверніться до сервісного центру
	Двигун заводиться з підключеними споживачами електроенергії	Вимкніть всі споживачі електроенергії
	Низька потужність акумуляторної батареї	Підзарядіть або замініть акумуляторну батарею
	Несправна система захисту від низького рівня масла в картері двигуна	Зверніться до сервісного центру
	Стартер вийшов з ладу	Зверніться до сервісного центру
Недостатня потужність двигуна	Частково засмічені паливопровід і паливний фільтри	Помийте паливний фільтр і паливопровід
	Засмічений повітряний фільтр	Помийте або замініть фільтруючі елементи фільтру
	У паливну систему надходить повітря	Зверніться до сервісного центру
	Недостатні оберти двигуна	Зверніться до сервісного центру
	Несправна форсунка	Зверніться до сервісного центру
	Несправний паливний насос високого тиску	Зверніться до сервісного центру

ОПИС НЕСПРАВНОСТІ	Можлива причина	Шляхи усунення
Недостатня потужність двигуна	Зношені поршневі кільця і циліндр	Зверніться до сервісного центру
	Недостатня подача палива	Проведіть технічне обслуговування або зверніться до сервісного центру
Двигун зупиняється	Засмічений повітряний фільтр	Почистіть або замініть
	Засмічений паливний фільтр	Почистіть або замініть
	У паливну систему потрапляє повітря	Усуньте підсмоктування повітря та прокачайте паливну систему
	Засмічений паливопровід	Помийте паливопровід або зверніться до сервісного центру
	Несправна форсунка	Зверніться до сервісного центру
	Несправний паливний насос високого тиску	Зверніться до сервісного центру
	Несправна система захисту від низького рівня масла в картері двигуна	Зверніться до сервісного центру
Двигун перегрівається	Несправна система охолодження двигуна	Зверніться до сервісного центру
	Потужність навантаження на генератор перевищує потужність самого генератора	Знизьте рівень навантаження на генератор
Нестійка робота двигуна	До паливної системи потрапляє повітря	Усуньте проблему підсмоктування повітря і прокачайте паливну систему
	Несправний паливний насос високого тиску	Зверніться до сервісного центру
	Несправність в регуляторі обертів двигуна	Зверніться до сервісного центру
У картері збільшується рівень масла	Зношена плунжерна пара насоса або поршневі кільця	Зверніться до сервісного центру

ОПИС НЕСПРАВНОСТІ	Можлива причина	Шляхи усунення
Підвищена витрата масла	Підвищений рівень зношеності поршневих кілець	Зверніться до сервісного центру
	Зношений циліндр	Зверніться до сервісного центру
Стук в картері двигуна	Зношені корінні підшипники або шатунні вкладиші	Зверніться до сервісного центру
Стук в головці циліндра	Збільшений зазор між поршневим пальцем та шатуном	Зверніться до сервісного центру
	Збільшений зазор між клапанами	Зверніться до сервісного центру
Двигун димить, вихлопні гази блакитного або сизого кольору	Підвищений рівень зношеності поршневих кілець	Зверніться до сервісного центру
	Підвищений рівень масла в картері двигуна	Злийте зайве масло з картера двигуна
	Підвищений рівень зношеності у сполученні циліндр-поршень	Зверніться до сервісного центру
Двигун димить, вихлопні гази чорного кольору	Несправна форсунка	Зверніться до сервісного центру
	Двигун перевантажений	Знизьте рівень навантаження, зменшивши відбір електричної потужності від генератора
Не виробляється електричний струм	Надмірно велика подача палива	Зверніться до сервісного центру
	Вимкнений запобіжник змінного струму	Увімкніть
	Штепсельна розетка вийшла з ладу	Зверніться до сервісного центру
	Генератор не збуджується	Зверніться до сервісного центру
	Потужність споживача перевищує потужність генератора	Знизьте рівень навантаження на генератор
	Зношені вугільні щітки генератора	Замініть (зверніться до сервісного центру)
Статор або ротор генератора вийшли з ладу	Зверніться до сервісного центру	

ОПИС НЕСПРАВНОСТІ	Можлива причина	Шляхи усунення
Некоректна робота, немає контролю над виробом	Високий рівень вібрації на електростанцію (зношені демпферні опори)	Зверніться до сервісного центру
	Електростанція працює ривками (перевантаження)	Знизьте рівень навантаження, відключіть споживачі струму, які перевищують потужність генератора
	Вийшов з ладу генератор	Зверніться до сервісного центру

ГАРАНТІЙНІ ЗОБОВ'ЯЗАННЯ

Гарантійний термін експлуатації електростанцій ТМ "Vitals" ERS 4.6d і ERS 4.6dt становить 1 (один) рік із зазначеної в гарантійному талоні дати роздрібного продажу.

Споживач має право на безкоштовне гарантійне усунення несправностей, виявлених і пред'явлених у період гарантійного терміну і обумовлених виробничими і конструктивними факторами.

Гарантійне усунення несправностей проводиться шляхом ремонту або заміни пошкоджених частин агрегату в сертифікованих сервісних центрах. У зв'язку зі складністю конструкції ремонт може тривати більше двох тижнів.

Причину виникнення несправностей і терміни їх усунення визначають фахівці сервісного центру.



ПРИМІТКА!

Виріб приймається на гарантійне обслуговування тільки в повній комплектності, ретельно очищений від пилу і бруду.

Гарантійні зобов'язання втрачають своє значення у наступних випадках:

- Відсутність або нечитабельність гарантійного талону.
- Неправильне заповнення гарантійного талону, відсутність у ньому дати продажу або печатки (штампу) і підпису продавця, серійного номеру виробу.
- Наявність виправлень або підчисток у гарантійному талоні.
- Повна або часткова відсутність, нечитабельність серійного номеру на виробі, невідповідність серійного номеру виробу номеру, вказаному в гарантійному талоні.
- Недотримання правил експлуатації, наведених у керівництві з експлуатації.

- Експлуатація несправного або некомплектного виробу, що стала причиною виходу виробу з ладу.
- Попадання всередину пристрою сторонніх речовин або предметів.
- Причиною несправності, що виникла, стало застосування нестандартних або неякісних витратних і комплектуючих матеріалів.
- Виріб має значні механічні або термічні ушкодження, явні сліди недбалих експлуатації, зберігання або транспортування.
- Виріб використовувався не за призначенням.
- Здійснювалися несанкціонований ремонт, розкриття або спроба модернізації виробу споживачем або третіми особами.
- Несправність виникла в результаті стихійного лиха (пожежа, повінь, ураган і т. п.).

Замінені по гарантії деталі та вузли переходять у розпорядження сервісного центру.

При здійсненні гарантійного ремонту гарантійний термін збільшується на час перебування товару в ремонті. Відлік доданого терміну починається з дати приймання виробу в гарантійний ремонт.

У разі, якщо з технічних причин ремонт виробу неможливий, сервісний центр видає відповідний акт, на підставі якого користувач самостійно вирішує питання з організацією-постачальником про заміну виробу або повернення грошей.

Після закінчення гарантійного терміну сервісні центри продовжують здійснювати обслуговування та ремонт виробу, але вже за рахунок споживача.

Гарантійні зобов'язання не поширюються на несправності, які виникли внаслідок природного зношення або перевантаження виробу.

Гарантійні зобов'язання не поширюються на комплектуючі.

Гарантійні зобов'язання не поширюються на неповноту комплектації виробу, яка могла бути виявлена при його продажу. Всі витрати на транспортування виробу несе споживач.

Право на гарантійний ремонт не є підставою для інших претензій.

УВАЖАЕМЫЙ ПОКУПАТЕЛЬ!

Благодарим Вас за приобретение дизельной миниэлектростанции (генератора) ТМ “Vitals”.

Техника ТМ “Vitals” разрабатывается по европейским стандартам качества и с использованием современных технологий.

Неправильная эксплуатация дизельной электростанции и несоблюдение мер безопасности может привести к повреждению изделия или к серьезным травмам!

Данное руководство содержит всю необходимую информацию по мерам безопасности при работе дизельной миниэлектростанции. Внимательно ознакомьтесь с руководством перед началом работы изделия.

Пожалуйста, предоставьте другим пользователям данное руководство, прежде чем они начнут работать с дизельной миниэлектростанцией. Данное руководство необходимо хранить для последующего его использования.

Мы постоянно работаем над усовершенствованием своей продукции и, в связи с этим, оставляем за собой право на внесение изменений во внешний вид, оснащение и технологию производства, не изменяя основных принципов управления, без уведомления потребителя. Все возможные изменения будут направлены только на улучшение и модернизацию изделия.

ЗНАЧЕНИЕ КЛЮЧЕВЫХ СЛОВ



ОСТОРОЖНО!

Обозначает потенциально опасные ситуации, которых следует избегать, в противном случае может возникнуть опасность для жизни и здоровья.



ВНИМАНИЕ!

Обозначает потенциально опасные ситуации, которые могут привести к легким травмам или к поломке изделия.



ПРИМЕЧАНИЕ!

Отмечает важную дополнительную информацию.

Дизельные миниэлектростанции (далее по тексту – электростанция) представляют собой стационарные энергетические установки, оборудованные электрическим генератором переменного тока с приводом от дизельного двигателя внутреннего сгорания. Двигатель и генератор соединены между собой напрямую и закреплены на стальной раме через демпферные опоры.

Генератор крепится к фланцу картера двигателя четырьмя болтами. Передача крутящего момента от двигателя к генератору осуществляется посредством конического сопряжения ротора генератора и вала двигателя.

Электростанции “Vitals” **ERS 4.6d** и **ERS 4.6dt** применяются в качестве резервного или аварийного источника электрической энергии для потребителей однофазного переменного тока.

Данные изделия выполнены в соответствии с современными требованиями к стандарту и уровню техники, действующими правилами техники безопасности, отличаются надежностью в процессе эксплуатации, имеют современный дизайн, экономичны, надежны в работе, просты в обращении и обслуживании.

Максимально упрощенный принцип действия электростанции состоит в следующем: химическая энергия дизельного топлива, которое сгорает в рабочей камере двигателя внутреннего сгорания, преобразуется в механическую работу, а генератор электрического тока, соединенный с валом двигателя, преобразует обороты в электрический ток.

Электростанция снабжена панелью управления, при помощи которой осуществляется управление изделием, системой контроля над его состоянием и защитой от аварийных ситуаций.

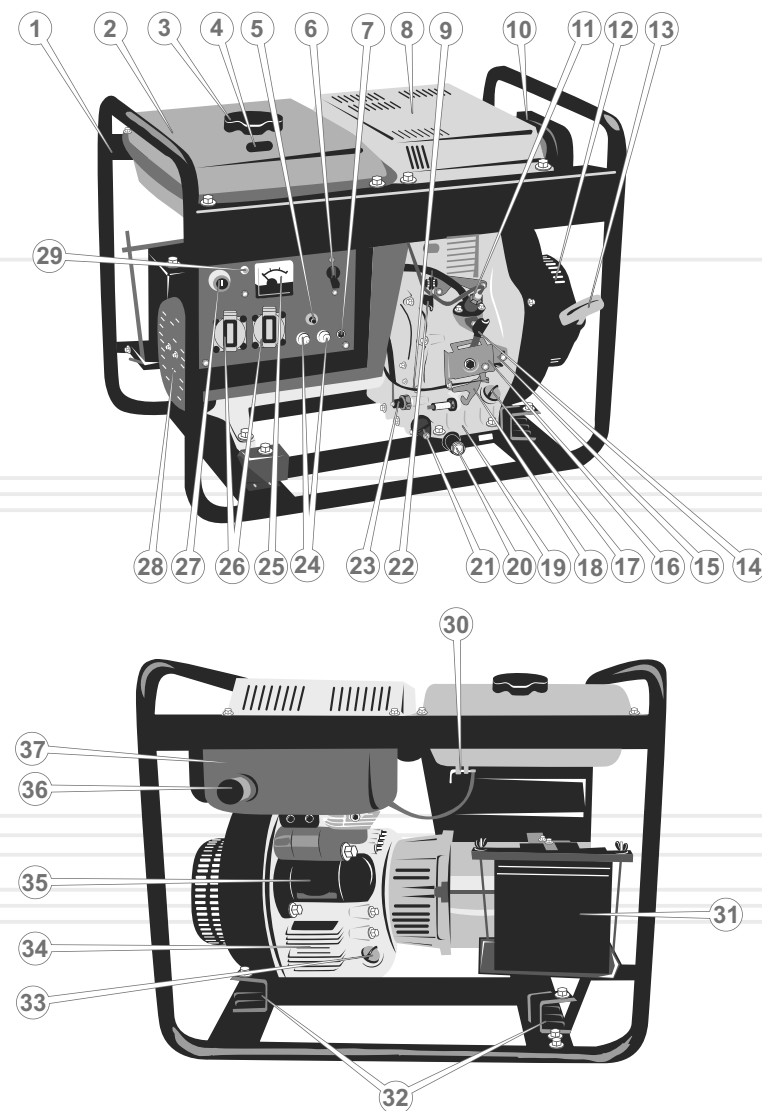
Отличительные особенности модели ERS 4.6dt:

- наличие шумопоглощающего кожуха, снижающего уровень звукового давления во время работы двигателя;
- отсутствие механизма ручного стартера.

Описание основных компонентов электростанции представлено ниже.

рисунок 1

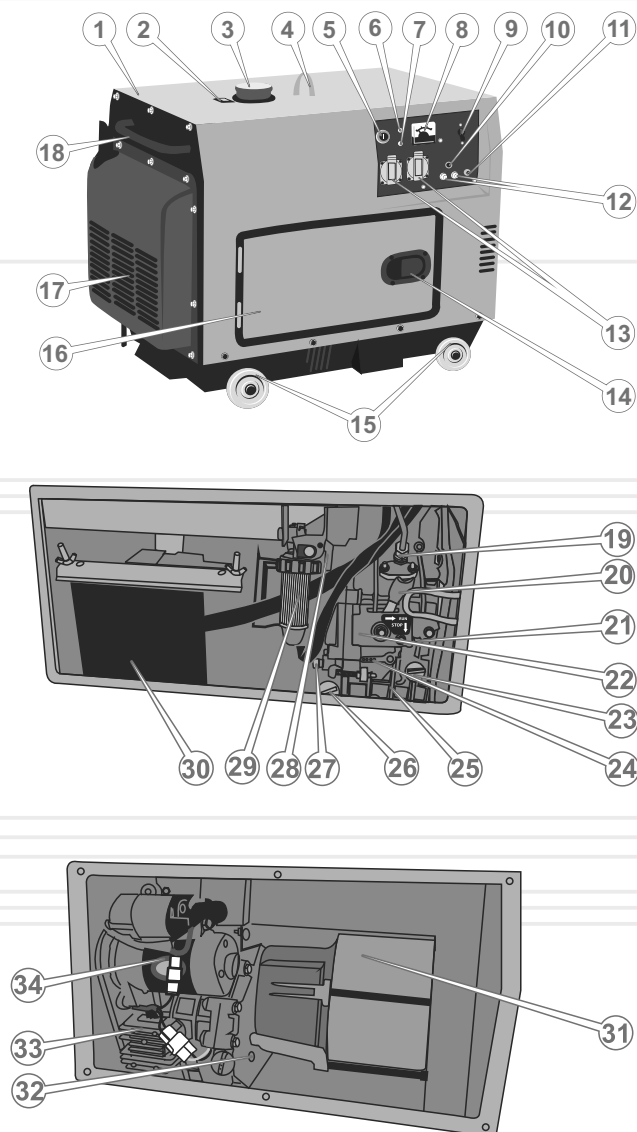
ERS 4.6d



1. Рама.
2. Топливный бак.
3. Крышка топливного бака.
4. Индикатор уровня топлива в баке.
5. Автоматический предохранитель постоянного тока.
6. Автоматический предохранитель переменного тока.
7. Клемма заземления.
8. Защитный кожух.
9. Трос электромагнита, приводящего в действие рычаг остановки двигателя.
10. Воздушный фильтр.
11. Топливный насос высокого давления.
12. Защитный кожух механизма ручного стартера и вентилятора.
13. Заводная рукоятка ручного стартера.
14. Рычаг регулировки подачи топлива.
15. Рычаг остановки двигателя.
16. Кронштейн крепления механизма управления подачей топлива и остановки двигателя.
17. Пробка-щуп отверстия для заливки масла в картер двигателя.
18. Винт-фиксатор положения механизма управления подачей топлива.
19. Картер двигателя.
20. Пробка отверстия для слива масла из картера.
21. Масляный фильтр.
22. Рычаг декомпрессионного клапана.
23. Датчик уровня масла в картере двигателя.
24. Клеммы постоянного тока.
25. Вольтметр.
26. Электрические розетки переменного тока.
27. Замок зажигания.
28. Генератор переменного тока.
29. Световой индикатор «Контроль наличия масла в картере двигателя».
30. Топливный кран.
31. Аккумуляторная батарея.
32. Демпферные опоры.
33. Пробка-щуп отверстия для заливки масла в картер двигателя.
34. Выпрямитель постоянного тока.
35. Электрический стартер.
36. Выхлопная труба.
37. Глушитель.

рисунок 2

ERS 4.6dt



1. Шумопоглощающий кожух.
2. Индикатор уровня топлива в баке.
3. Крышка топливного бака.
4. Узел для подъема.
5. Замок зажигания.
6. Автоматический предохранитель постоянного тока.
7. Световой индикатор «Контроль уровня масла в картере двигателя» (OILALERT LAMP).
8. Вольтметр.
9. Автоматический предохранитель переменного тока.
10. Автоматический предохранитель постоянного тока.
11. Клемма заземления.
12. Клеммы постоянного тока.
13. Электрические розетки переменного тока.
14. Ручка люка.
15. Транспортировочные колеса.
16. Люк шумопоглощающего кожуха.
17. Защитный кожух электрогенератора.
18. Транспортировочная рукоятка.
19. Топливный насос высокого давления.
20. Рычаг регулировки подачи топлива.
21. Рычаг остановки двигателя.
22. Кронштейн крепления механизма управления подачей топлива и остановки двигателя.
23. Пробка-щуп отверстия для заливки масла в картер двигателя.
24. Винт-фиксатор положения механизма управления подачей топлива.
25. Картер двигателя.
26. Масляный фильтр.
27. Датчик уровня масла в картере двигателя.
28. Рукоятка топливного крана.
29. Топливный фильтр.
30. Аккумуляторная батарея.
31. Генератор переменного тока.
32. Пробка-щуп отверстия для заливки масла в картер двигателя.
33. Выпрямитель постоянного тока.
34. Электрический стартер.

1. Электростанция.
2. Ключ зажигания (2 шт.).
3. Транспортировочные колеса с осями и креплением к раме.
4. Руководство по эксплуатации.

**ПРИМЕЧАНИЕ!**

Завод-изготовитель оставляет за собой право вносить во внешний вид, конструкцию и комплект поставки мотокосы незначительные изменения, не влияющие на работу изделия.

МОДЕЛЬ		ERS 4.6d	ERS 4.6dt
Генератор электрического Тока	Напряжение переменного тока, В	230	
	Частота тока, Гц	50	
	Номинальная мощность, кВА	4,6	
	Максимальная мощность, кВА	5,0	
	Коэффициент мощности (cos φ)	1	
	Мощность постоянного тока	12 В - 8,3 А	
	Регулятор напряжения	автоматический (AVR)	
Двигатель	Тип	одноцилиндровый вертикальный четырёхтактный дизельный двигатель с прямым впрыском топлива и принудительным воздушным охлаждением	
	Мощность, л.с.	9,0	
	Рабочий объем, см ³	418	
	Система запуска	ручной и электрический стартер	электрический стартер
	Топливо	дизельное	
	Емкость топливного бака, л	14	16
	Среднее время непрерывной работы, ч	8,5	10,0
	Объем масла в картере, л	1,65	
	Уровень шума, дБ	84	69
	Датчик низкого уровня масла в двигателе	+	+
	Шумопоглощающий кожух	-	+
	Габариты	Габариты (ДхВхШ), мм	735x495x605
Вес нетто/брутто, кг		92/95	161/171

Обе модели снабжены автоматическим регулятором напряжения, клеммами постоянного тока, аккумуляторной батареей, электрическим стартером и системой защиты двигателя в случае низкого уровня масла в картере.

Автоматический регулятор напряжения (AVR)

На электростанциях установлен современный автоматический регулятор напряжения, который обеспечивает стабильность выходного напряжения во всем диапазоне нагрузок. Качество энергии электростанций, оснащенных регулятором напряжения, позволяет использовать изделия для обеспечения электропитанием сложного электронного оборудования, средств связи, специальных и бытовых потребителей (компьютеры, телевизоры, котлы и т.п.).

Вывод постоянного тока

Электростанции оснащены выходом постоянного тока 12 В, который используется, в основном, для зарядки автомобильных аккумуляторных батарей (12 В). Клемма красного цвета является положительной (+), черная – отрицательной (-). Черный кабель подключается на корпус изделия («Масса»). Подключение должно производиться согласно полярности.

Система защиты от низкого уровня масла в картере двигателя

Данная аварийная система разработана с целью предотвращения выхода из строя двигателя при недостаточном количестве масла в его картере. В случае низкого уровня масла в картере двигателя система защиты остановит двигатель, что предотвратит его повреждение. При этом будет светиться световой индикатор «OIL ALERT LAMP».



ПРИМЕЧАНИЕ!

В случае остановки двигателя аварийной системой защиты, ключ зажигания двигателя останется в положении «ON» («ВКЛ»).

4.1. ВАЖНАЯ ИНФОРМАЦИЯ ПО БЕЗОПАСНОСТИ

Перед началом эксплуатации электростанции внимательно ознакомьтесь с требованиями по технике безопасности, инструкциями и предупреждениями, изложенными в данном руководстве.

Большинство травм во время работы изделия возникает в результате несоблюдения основных положений правил техники безопасности. Травм и несчастных случаев можно избежать, если строго соблюдать меры предосторожности и заблаговременно предусмотреть потенциальную опасность.

Ни при каких обстоятельствах не используйте изделие способом или в целях, не предусмотренных данным руководством.

Неправильная эксплуатация изделия или эксплуатация необученным человеком может привести к несчастному случаю.

ОСТОРОЖНО!

Запрещается эксплуатация изделия неподготовленными к работе людьми.

**ВНИМАТЕЛЬНО ОЗНАКОМЬТЕСЬ СО ВСЕМИ ИНСТРУКЦИЯМИ**

Для безопасной эксплуатации изделия необходимо ознакомление с инструкциями и соответствующее обучение. Неправильная эксплуатация прибора или эксплуатация необученным человеком может быть опасной. Внимательно ознакомьтесь со всеми составляющими электростанции. Изучите, как остановить двигатель электростанции в случае необходимости. Несоблюдение приведенных ниже инструкций может привести к поражению электрическим током, привести к смерти человека, нанести серьезный вред его здоровью или имуществу.

**ОПАСНОСТЬ ПАРОВ ТОПЛИВА И ОТРАБОТАВШИХ ГАЗОВ**

Вдыхание паров дизельного топлива, а также отработавших газов, в зависимости от концентрации их в атмосфере, может привести к потере сознания или к смерти.

Частое и длительное воздействие на кожу человека дизельного топлива вызывает раздражение кожи, а токсичность отработавших газов оказывает сильно выраженное раздражающее действие на слизистые оболочки дыхательных путей и глаз, связанное с наличием в составе отработавших газов значительного количества сернистого ангидрида, альдегидов и дымовых частиц.

Состав отработавших газов в атмосфере колеблется в значительной степени и зависит от типа двигателя, режима его работы и нагрузки, технического состояния, а также качества топлива.

При запуске электростанции в замкнутом пространстве или помещении с ограниченным доступом воздуха концентрация выбросов очень опасна для здоровья и жизни человека. Во избежание скопления выбросов в атмосферу отработавших газов необходимо обеспечить хорошую вентиляцию помещения.

ОСТОРОЖНО!

Не включайте электростанцию в замкнутом пространстве, не обеспеченном хорошей вентиляцией и вытяжками.

ВНИМАНИЕ!

Категорически запрещается самостоятельное изменение выхлопного тракта двигателя электростанции. Не приваривайте к глушителю переходники с последующим удлинением при помощи металлических рукавов и труб, а также не используйте самодельные глушители.



ОПАСНОСТЬ ЭЛЕКТРОШОКА

При неправильной работе электростанции существует опасность электрошока или смерти от поражения электрическим током. Использование электростанции или других электрических приборов при повышенной влажности, около воды, на мокрой траве, во время дождя или снегопада, может привести к смерти от поражения электрическим током. Всегда содержите генератор электрического тока сухим.

Электростанция не предназначена для эксплуатации и хранения незащищенной на открытом воздухе.

Влага или лед могут привести к неправильной работе изделия или к замыканию электрических частей, что может также привести к смерти в результате поражения электрическим током.

Каждый раз перед эксплуатацией изделия проверяйте исправность всех электрических частей электростанции.

Перед подключением изделия к потребителям электроэнергии предварительно заземлите электростанцию. Несоблюдение этого приведет к смерти человека или вывода из строя изделия.



ОПАСНОСТЬ ВОСПЛАМЕНЕНИЯ

Глушитель двигателя во время работы очень сильно нагревается, а также некоторое время остается горячим после остановки, что может привести к воспламенению находящихся рядом материалов. Не дотрагивайтесь частями тела до глушителя – опасность получения ожога. Запрещается накрывать электростанцию во время работы и до полного остывания двигателя после его остановки. Не эксплуатируйте изделие ближе 10 метров от местонахождения легковоспламеняющихся материалов.

ОСТОРОЖНО!



Топливо легко воспламеняется. Перед заправкой топливом остановите двигатель и дайте ему полностью остыть.

Не заправляйте изделие топливом рядом с открытым огнем или в месте, где могут образоваться искры.

Запрещается курить рядом с электростанцией.

Всегда проверяйте, нет ли течи топлива. Разлившееся топливо насухо вытрите.

Запрещается тушить огонь водой.

В случае воспламенения топлива остановите двигатель, перекрыв подачу топлива к двигателю. Тушение пламени производите углекислотными огнетушителями или накройте очаг пламени войлоком, брезентом и т.д. При отсутствии указанных средств локализируйте огонь песком или землей.

4.2. БЕЗОПАСНОСТЬ ЭКСПЛУАТАЦИИ

1. НЕ РАЗРЕШАЙТЕ ПОЛЬЗОВАТЬСЯ ИЗДЕЛИЕМ ДЕТЯМ И ЛИЦАМ С ОГРАНИЧЕННЫМИ ВОЗМОЖНОСТЯМИ.
2. БУДЬТЕ ПОЛНОСТЬЮ СКОНЦЕНТРИРОВАНЫ НА РАБОТЕ.
Не отвлекайтесь во время подсоединения силовых кабелей, запуска и остановки двигателя электростанции, так как это может вызвать потерю контроля и стать причиной получения травм различной степени тяжести.
3. НЕ ПОДСОЕДИНЯЙТЕ СИЛОВЫЕ КАБЕЛИ, НЕ ЗАПУСКАЙТЕ ДВИГАТЕЛЬ И НЕ ЭКСПЛУАТИРУЙТЕ ИЗДЕЛИЕ В СЛУЧАЕ БОЛЕЗНИ, В СОСТОЯНИИ УТОМЛЕНИЯ, НАРКОТИЧЕСКОГО ИЛИ АЛКОГОЛЬНОГО ОПЬЯНЕНИЯ, А ТАКЖЕ ПОД ВОЗДЕЙСТВИЕМ СИЛЬНОДЕЙСТВУЮЩИХ ЛЕКАРСТВЕННЫХ ПРЕПАРАТОВ, СНИЖАЮЩИХ СКОРОСТЬ РЕАКЦИИ И ВНИМАНИЕ.
4. СЛЕДИТЕ ЗА ЦЕЛОСТНОСТЬЮ И ИСПРАВНОСТЬЮ ИЗДЕЛИЯ.
Не включайте и не эксплуатируйте изделие при наличии повреждений, с ненадежно закрепленными силовыми кабелями, частями и деталями электростанции.

5. НАДЕВАЙТЕ СООТВЕТСТВУЮЩУЮ ОДЕЖДУ И ОБУВЬ ПРИ ЭКСПЛУАТАЦИИ ИЗДЕЛИЯ.

Работая с изделием, надевайте облегающую одежду и застегните все пуговицы, снимите кольца, цепочки, браслеты (если таковые имеются), чтобы предотвратить возможность их попадания в двигающиеся части электростанции. Надевайте обувь на нескользящей подошве. Для защиты органов слуха используйте наушники или беруши. При подсоединении силовых кабелей надевайте резиновые перчатки.

6. НЕ ДОТРАГИВАЙТЕСЬ ДО ВРАЩАЮЩИХСЯ ДЕТАЛЕЙ ИЗДЕЛИЯ.

Не подносите руки, пальцы и другие части тела к вращающимся частям электростанции.

7. НЕ ПРИКАСАЙТЕСЬ К ЭЛЕКТРИЧЕСКИМ ПРОВОДАМ, РАЗЪЕМАМ И КЛЕММАМ ВО ВРЕМЯ РАБОТЫ ЭЛЕКТРОСТАНЦИИ.

Во время работы изделия силовые кабели находятся под высоким напряжением – опасность электрошока или смерти.

8. ВО ВРЕМЯ РАБОТЫ ЭЛЕКТРОСТАНЦИИ НЕ ПОДПУСКАЙТЕ К НЕЙ БЛИЖЕ 5 МЕТРОВ ПОСТОРОННИХ ЛЮДЕЙ И ЖИВОТНЫХ.

9. ПРИ ТЕХНИЧЕСКОМ ОБСЛУЖИВАНИИ ИЗДЕЛИЯ ИСПОЛЬЗУЙТЕ ТОЛЬКО ОРИГИНАЛЬНЫЕ ЗАПАСНЫЕ ЧАСТИ.

10. НЕ РАЗМЕЩАЙТЕ РЯДОМ С ЭЛЕКТРОСТАНЦИЕЙ ЛЕГКОВОСПЛАМЕНЯЮЩИЕСЯ МАТЕРИАЛЫ.

Рядом с электростанцией не должны находиться топливо, машинное масло, спички, замасленная одежда, солома, мусор и другие легковоспламеняющиеся материалы.

11. НЕ НАКРЫВАЙТЕ ЭЛЕКТРОСТАНЦИЮ.

Электростанция оснащена принудительной системой воздушного охлаждения и, если ее накрыть, двигатель может перегреться.

12. ЭЛЕКТРОСТАНЦИЯ ДОЛЖНА БЫТЬ УСТАНОВЛЕНА НА ГОРИЗОНТАЛЬНОЙ ПОВЕРХНОСТИ.

Нет необходимости создавать специальную подставку для изделия, тем не менее, электростанцию нельзя устанавливать на неровной поверхности (угол наклона не должен превышать 20 градусов), в противном случае будут создаваться вибрации.

Если в процессе работы электростанция не установлена устойчиво, она будет двигаться, в результате чего может выливаться топливо, а также сама электростанция может опрокинуться, что приведет к созданию опасной ситуации.

Если электростанция будет установлена на наклонной поверхности, не будет обеспечиваться надлежащая смазка трущихся деталей, что может привести к заклиниванию цилиндропоршневой группы, даже если уровень масла в картере двигателя в норме.

13. СЛЕДИТЕ ЗА РАСПОЛОЖЕНИЕМ СИЛОВОГО КАБЕЛЯ, ВЕДУЩЕГО К ПОТРЕБИТЕЛЮ ЭЛЕКТРОЭНЕРГИИ.

Если электростанция установлена на силовом кабеле или кабель касается ее вибрирующих частей, кабель может быть поврежден. Это может привести к опасной ситуации: возможность возникновения пожара, возгорание электростанции или повреждение электрическим током.

14. НЕ ЗАПУСКАЙТЕ ЭЛЕКТРОСТАНЦИЮ В ДОЖДЬ ИЛИ МОКРЫМИ РУКАМИ.

Работа с электростанцией в дождь или снег может привести к электрошоку или к поломке изделия. Если электростанция намочена, перед запуском ее необходимо насухо вытереть. Не лейте воду на электростанцию, не мойте ее.

15. ПРОЯВЛЯЙТЕ ОСТОРОЖНОСТЬ ПРИ РАБОТЕ С АККУМУЛЯТОРНОЙ БАТАРЕЕЙ.

Аккумулятор испускает водородный газ, который может загореться при соприкосновении с открытым огнем. Электростанция должна находиться в хорошо проветриваемом помещении. Избегайте возникновения пламени, искр при работе с аккумулятором.

16. НЕ ЗАПУСКАЙТЕ ДВИГАТЕЛЬ ЭЛЕКТРОСТАНЦИИ С ПОДКЛЮЧЕННОЙ НАГРУЗКОЙ.

Запуск двигателя должен осуществляться без подключенной к изделию нагрузки.

17. НЕ ПЕРЕГРУЖАЙТЕ ГЕНЕРАТОР.

Мощность предполагаемой нагрузки не должна превышать номинальной мощности генератора. Не используйте силовые кабели, у которых повреждена изоляция.

18. НЕ ПЫТАЙТЕСЬ САМОСТОЯТЕЛЬНО РЕМОНТИРОВАТЬ ДВИГАТЕЛЬ И ГЕНЕРАТОР, ОБРАТИТЕСЬ В СЕРВИСНЫЙ ЦЕНТР.
19. НЕ ИЗМЕНЯЙТЕ КОНСТРУКЦИЮ ТОПЛИВНОЙ СИСТЕМЫ.
Не устанавливайте на изделие дополнительные топливные баки, топливные фильтры, шланги, краны, электромагнитные запоры, топливные насосы и т.д. Не изменяйте конструкцию топливной системы для работы на газообразном топливе.
20. НИКОГДА НЕ ЧИСТИТЕ ИЗДЕЛИЕ ТОПЛИВОМ.
Для чистки электростанции используйте только нетоксичные, невоспламеняемые и не разрушающие детали и части изделия растворители.
21. ЗАПРАВЛЯЙТЕ ТОПЛИВОМ ТОЛЬКО В ХОРОШО ПРОВЕТРИВАЕМОМ ПОМЕЩЕНИИ, ПРИ ОСТАНОВЛЕННОМ ДВИГАТЕЛЕ, НЕ ДОПУСКАЙТЕ ПРИ ЭТОМ ПРОЛИВА ТОПЛИВА НА ИЗДЕЛИЕ И ЗЕМЛЮ.
22. НЕ РАЗВОДИТЕ ОГОНЬ БЛИЖЕ 20 МЕТРОВ ОТ ЭЛЕКТРОСТАНЦИИ.

**ВНИМАНИЕ!**

Постоянно следите за исправностью изделия. В случае отказа в работе, появления запаха, характерного для горелой изоляции, сильного стука, шума, вибрации, пламени, искр, немедленно остановите двигатель и обратитесь в сервисный центр.

4.3. ЗАЗЕМЛЕНИЕ**ОСТОРОЖНО!**

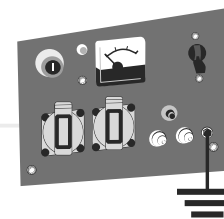
Категорически запрещается использовать электростанцию без заземления!

Заземление предотвращает возможность электрошока. Для заземления изделия используйте провод заземления и заземлитель (в комплект поставки электростанции не включен) (см. рис. 3).

**ВНИМАНИЕ!**

Провод заземления должен иметь сечение не менее 3,5 мм², желательно из витой медной проволоки. Клемма заземления и заземлитель должны иметь надежный контакт с проводом заземления.

рисунок 3



В качестве заземлителя могут использоваться находящиеся в земле металлические трубы системы водоснабжения, канализации или металлические каркасы зданий, имеющие соединение с землей.

**ОСТОРОЖНО!**

Чтобы осуществить правильное подключение заземления получите квалифицированную консультацию у соответствующего специалиста или воспользуйтесь его услугами.

Если вышеперечисленными заземлителями вы не в состоянии воспользоваться, используйте один из следующих заземлителей:

- металлическую трубу длиной не менее 1500 мм и диаметром не менее 50 мм;
- металлический стержень длиной не менее 1500 мм и диаметром не менее 15 мм;
- лист из оцинкованной стали, стали без покрытия размером 1500x1000 мм.

**ВНИМАНИЕ!**

Данное руководство не может учесть всех возможных случаев, которые могут возникнуть в реальных условиях эксплуатации изделия. В этом случае следует руководствоваться здравым смыслом, соблюдать предельное внимание и аккуратность при работе.

5.1. ПРИМЕНЕНИЕ

Электростанции ERS 4.6d и ERS 4.6dt вырабатывают переменный ток напряжением 230 В частотой 50 Гц и являются однофазными. Изделия предназначены для обеспечения переменным током различных потребителей и могут быть использованы в качестве альтернативного источника электропитания: служить источником аварийного электропитания зданий и домов, использоваться для проведения ремонтных работ без доступа к основной сети электроснабжения, на даче, на пикнике, в гараже и т.д. Данные модели имеют вывод постоянного тока напряжением 12 В.

Каждая модель электростанции рассчитана на определенную максимальную мощность электрической энергии.

Правильный подбор мощности электростанции изложен в разделе 5.3. данного руководства «Работа электростанции».

5.2. ПОДГОТОВКА К РАБОТЕ

Перед началом работы электростанции выполните:

1. Аккуратно извлеките электростанцию из упаковочной коробки, не допускайте ударов и механического воздействия на детали изделия.
2. Установите изделие на горизонтальной поверхности.
3. Тщательно осмотрите электростанцию на предмет повреждений. Обратите внимание на целостность всей электрической части.
4. Проверьте шланги, заливные отверстия топливного бака и масляного отсека, топливный кран, а также другие возможные места на предмет утечек топлива и масла. При необходимости устраните утечки.
5. Проверьте уровень масла в картере двигателя и, при необходимости, долейте масла до уровня.
6. Проверьте уровень топлива в топливном баке и, при необходимости, долейте топливо. В топливном баке следует оставлять небольшую воздушную пробку для возможного расширения паров топлива.
7. Проверьте надежность крепления основных деталей. При необходимости сделайте подтяжку болтов и гаек.
8. Проверьте целостность демпферных опор, при необходимости замените.

**ВНИМАНИЕ!**

Работа электростанции при поврежденных демпферных опорах запрещается. Это может привести к повышенной вибрации и, как следствие, выходу из строя изделия.

9. Проверьте целостность и чистоту воздушного фильтра.

**ВНИМАНИЕ!**

Запрещается эксплуатация изделия при отсутствии воздушного фильтра или при его загрязнении – опасность выхода из строя двигателя.

Двигатель

Новый или недавно отремонтированный двигатель должен пройти обкатку в течение 25 часов - работать на низкой скорости и при малой нагрузке, так как от этого зависит долговечность эксплуатации двигателя.

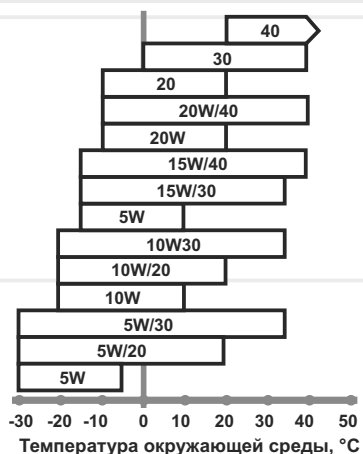
**ВНИМАНИЕ!**

Дизельный двигатель должен работать с номинальной частотой оборотов и нагрузкой. При обнаружении отклонений в работе двигателя, немедленно остановите его, выясните причины неисправностей и примите меры по их устранению.

Масло

Масло – основополагающий фактор, оказывающий непосредственное влияние на ресурс и производительность двигателя. Используйте моторное масло, предназначенное для двигателей, соответствующее спецификации по API SJ, SL. Рекомендуемая вязкость моторного масла: SAE 10W30. Другие типы вязкости, указанные в таблице (см. рис. 4), могут использоваться в тех случаях, когда средняя температура воздуха в регионе, в котором эксплуатируется изделие, находится в соответствующем диапазоне.

рисунок 4

**ПРИМЕЧАНИЕ!**

Электростанции поставляются без масла в картере двигателя!

**ВНИМАНИЕ!**

Эксплуатация изделия без наличия масла в картере двигателя категорически запрещена.

Перед первым использованием изделия залейте в картер двигателя 1,65 л масла (специальное масло, предназначенное для дизельных двигателей).

**ПРИМЕЧАНИЕ!**

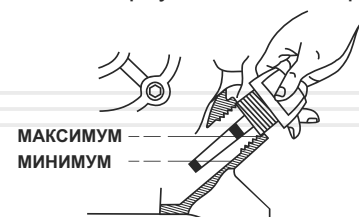
Запрещается использовать электростанцию при недостаточном или избыточном уровне масла.

Запрещается заливать в картер двигателя утратившее свои свойства масло, а также масло, не предназначенное для использования в двигателе. Не используйте специальных добавок к маслу. Не смешивайте масло с топливом.

Для заправки масла:

1. Тщательно очистите (!) поверхность вокруг пробки-щуп отверстия для заливки масла в картер двигателя и саму пробку от загрязнений, чтобы не допустить попадания частиц пыли и грязи вовнутрь картера.
2. Открутите пробку-щуп, насухо протрите ее.
3. Залейте в маслоналивную горловину требуемое количество масла (используйте лейку, чтобы не пролить масло).
4. Для измерения уровня масла вставьте в маслоналивную горловину пробку-щуп, но не закручивайте ее. Выньте пробку-щуп и проверьте уровень масла. Если уровень масла ниже минимальной отметки на щупе, долейте масло до уровня верхнего предела (нижний край заливной горловины) (см. рис. 5).
5. Плотно закрутите пробку-щуп.
6. Если масло пролилось на корпус изделия, вытрите насухо.

рисунок 5

**ВНИМАНИЕ!**

Регулярно меняйте масло. Первую замену масла осуществите после окончания периода обкатки двигателя (25 часов), в конце первого месяца эксплуатации, а затем – один раз в шесть месяцев или после каждых 100 часов работы двигателя.

Масляный фильтр

Масляный фильтр предназначен для удаления загрязнений из моторного масла путем фильтрации (см. рисунок 1 (поз. 21) – модель ERS 4.6d, рисунок 2 (поз. 26) – ERS 4.6dt)

**ВНИМАНИЕ!**

Проверка состояния масляного фильтра, его очистка и замена должны осуществляться согласно регламенту (см. раздел 6 данного руководства «Техническое обслуживание»).

Топливо

**ПРИМЕЧАНИЕ!**

Устройство поставляется без топлива в топливном баке. Перед каждым использованием устройства заправьте топливный бак дизельным топливом.

При заправке используйте только чистое, свежее дизельное топливо. Дизельное топливо перед заправкой следует отфильтровать при помощи шелковой ткани или отстоять в течение 24 часов. Не допускайте попадания пыли, грязи, мусора или воды в топливо и топливный бак.

Уровень дизельного топлива в топливном баке следует проверять перед запуском двигателя электростанции. Если двигатель только что остановлен, подождите 4-5 минут или более, для того чтобы двигатель остыл и только после этого осуществите заправку топливом. Заправку топливом следует осуществлять так, чтобы в топливном баке оставалась воздушная подушка для возможного расширения паров топлива при нагреве. Максимальный уровень топлива при заправке должен быть на 2-3 см ниже нижнего среза заливной горловины топливного бака.

Топливный фильтр

Обе модели снабжены топливным фильтром, который обеспечивает выделение из топлива механических примесей, а также отделение сравнительно крупных механических частиц и воды путем их отстаивания.

**ПРИМЕЧАНИЕ!**

Топливный фильтр в модели ERS 4.6d установлен внутри топливного бака.

Засоренный топливный фильтр может служить причиной тяжелого запуска двигателя, потери его мощности, а также некорректной работы. Помимо этого, загрязненный топливный фильтр может существенно сократить срок службы двигателя.

ВНИМАНИЕ!

Заправку топливом следует проводить только при остановленном двигателе!

Воздушный фильтр

На двигателе электростанции установлен воздушный фильтр с сухим фильтрующим элементом, состояние которого необходимо проверять перед каждым запуском двигателя. Настоятельно рекомендуется проверять состояние воздушного фильтра и производить его замену согласно регламенту (см. раздел 6 данного руководства «Техническое обслуживание»).

ВНИМАНИЕ!

Попадание масла или топлива на бумажные фильтрующие элементы недопустимо.

Загрязненный воздушный фильтр может служить причиной тяжелого запуска двигателя, потери его мощности, а также некорректной работы. Помимо этого, загрязненный воздушный фильтр может существенно сократить срок службы двигателя.

ВНИМАНИЕ!

Запрещено запускать двигатель электростанции без установленного воздушного фильтра или с незакрепленной крышкой фильтра.

5.3. РАБОТА ЭЛЕКТРОСТАНЦИИ

ВНИМАНИЕ!

Прежде чем начать эксплуатацию изделия, следует произвести обкатку двигателя. Детально читайте в разделе далее.

**ОСТОРОЖНО!**

Убедитесь, что автоматический предохранитель переменного тока отключен! Запрещается запуск двигателя электростанции, если к изделию подсоединены потребители электроэнергии. Подсоединенная нагрузка усложняет запуск двигателя электростанции и может вывести его из строя.

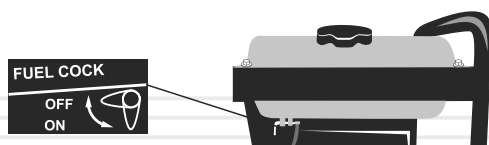
**ПРИМЕЧАНИЕ!**

Двигатель модели ERS 4.6d может быть запущен как при помощи ручного стартера, так и электрического. Двигатель модели ERS 4.6dt не снабжен ручным стартером и запускается только при помощи электрического стартера.

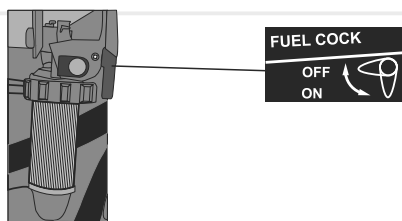
ЗАПУСК ДВИГАТЕЛЯ ЭЛЕКТРИЧЕСКИМ СТАРТЕРОМ

1. Установите на штатное место аккумуляторную батарею. Соблюдая полярность, подключите силовые кабели к аккумуляторной батарее (черный «Масса» к «-», красный от стартера к «+»).
2. Откройте топливный кран: поверните рукоятку топливного крана «FUEL COCK» в положение «ON» («OPEN») (см. рис. 6 – модель ERS 4.6 d, рис. 7 – ERS 4.6dt).

рисунки 6

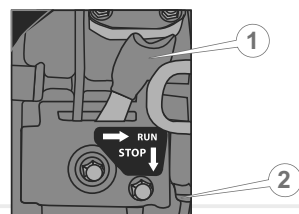


рисунки 7



3. Переместите рукой рычаг регулировки подачи топлива в направлении стрелки в положение «RUN» (см. рис. 8).

рисунки 8



1. Рычаг регулировки подачи топлива.
2. Рычаг остановки двигателя.

4. Вставьте ключ зажигания в замок зажигания и поверните в положение «START» (см. рис. 9). Держите ключ в этом положении до запуска двигателя, после чего отпустите ключ зажигания. Во избежание выхода из строя электростанции, не следует держать ключ в положении «START» более 15 сек.

рисунки 9

**ВНИМАНИЕ!**

Если двигатель не запустился в течение 15 секунд, отпустите ключ зажигания, подождите 15-20 секунд (это позволит аккумулятору восстановиться и выдать при следующей попытке максимальный пусковой ток) и попробуйте снова.

**ПРИМЕЧАНИЕ!**

Если в картере недостаточно масла, двигатель не запустится. Проверьте уровень масла и, при необходимости, добавьте масла.

5. Прогрейте двигатель, дав ему поработать в течение 5 минут на холостом ходу, пока не установятся устойчивые обороты.

ЗАПУСК ДВИГАТЕЛЯ РУЧНЫМ СТАРТЕРОМ (ТОЛЬКО МОДЕЛЬ ERS 4.6d)

1. Откройте топливный кран – поверните рукоятку топливного крана («FUEL COCK») в положение «ON» (см. рис. 6).
2. Переместите рукой рычаг регулировки подачи топлива в направлении стрелки в положение «RUN» (см. рис. 8).
3. Возьмитесь за рукоятку стартера и медленно потяните ее до тех пор, пока не почувствуете сопротивление.
4. Опустите вниз рычаг декомпрессионного клапана («DECOMPRESSION LEVER») (см. рис. 10).
5. Крепко взявшись (можно двумя руками) за рукоятку стартера, резко и энергично потяните ее на всю длину троса. При этом надо действовать аккуратно, чтобы не вырвать трос из крепления. Делайте так до тех пор, пока двигатель не запустится. Рычаг декомпрессионного клапана вернется в исходное положение автоматически, когда потяните за ручку стартера.

рисунок 10



1. Рычаг декомпрессионного клапана

**ВНИМАНИЕ!**

Не тяните за трос ручного стартера при запущенном двигателе, так как при этом двигатель может выйти из строя.

Не допускайте, чтобы трос стартера резко вернулся в исходное положение, верните его медленно вручную.

6. Прогрейте двигатель, дав ему поработать в течение 3-5 минут на холостом ходу, пока не установятся устойчивые обороты.

**ВНИМАНИЕ!**

Не следует прогревать двигатель на высоких оборотах, это уменьшает ресурс двигателя.

**ВНИМАНИЕ!**

Проверьте внешнюю герметичность соединений корпуса двигателя, топливной системы и системы выхлопа отработавших газов.

Если двигатель не запустился с трех попыток:

- проверьте топливо на наличие в нем механических примесей и воды;
- проверьте состояние и чистоту фильтрующих элементов воздушного фильтра;
- проверьте уровень масла в картере двигателя;
- повторите запуск двигателя.

**ПРИМЕЧАНИЕ!**

Если после выполнения этих мероприятий запустить двигатель не удастся, обратитесь к разделу 8 данного руководства «Возможные неисправности и пути их устранения» или в сервисный центр.

ЗАПУСК ДВИГАТЕЛЯ В ХОЛОДНОЕ ВРЕМЯ ГОДА

Температура окружающего воздуха ниже 0°C вызывает:

- с увеличением вязкости масла в картере двигателя возрастают сопротивление проворачивания коленчатого вала и движения поршня, а также вращения шестеренчатых передач;
- с увеличением вязкости дизельного топлива снижается давление топлива, нагнетаемого в форсунку топливного насоса высокого давления;
- с уменьшением энергии аккумуляторной батареи – уменьшается момент, развиваемый электрическим стартером при пуске дизельного двигателя.

Для надежного запуска дизельного двигателя при температуре ниже 0°C:

- используйте только качественное зимнее топливо;
- слейте масло из картера, подогрейте его и залейте теплое масло в патрубок отверстия для залива масла;
- для разогрева масла в картере двигателя используйте предпусковые подогреватели, основанные на использовании горячей воды, пара;
- выкрутите заглушку смазочного отверстия в головке двигателя, налейте в отверстие 2 см³ моторного масла, плотно закрутите заглушку и сразу же заводите двигатель. В процессе эксплуатации двигателя держите заглушку плотно закрученной, иначе двигатель может начать всасывать пыль, что приведет к выходу его из строя;
- не отпускайте ключ зажигания из положения «START» сразу после первых вспышек топлива в цилиндре, прокрутите запускающийся двигатель стартером несколько секунд до появления равномерных вспышек (в это время двигатель может работать не на холостых оборотах, а равномерно на пониженных);
- обращайте внимание на отработавшие газы. Если из выхлопной трубы глушителя выходят синие столпы дыма, то происходит «холодное» сгорание топлива.

ОСТОРОЖНО!

В целях обеспечения легкого запуска двигателя запрещается использовать открытый огонь при разогреве масла в картере, добавлять в воздухозаборник летучие жидкости, такие, как эфир, керосин, бензин, уайтспирит, так как это может привести к возгоранию или взрыву двигателя.

ОСТАНОВКА ДВИГАТЕЛЯ

1. Отключите потребители электроэнергии и дайте поработать двигателю на холостых оборотах на протяжении 1-2 минут.



ВНИМАНИЕ!

Внезапная остановка двигателя может привести к нежелательному увеличению температуры и сокращению срока службы двигателя.

2. Выключите автоматический предохранитель переменного тока на панели управления электростанции.
3. Поверните ключ зажигания в положение «STOP» (см. рис. 9). При этом сработает электромагнит, который посредством троса приведет в действие рычаг остановки двигателя.
4. В случае аварийной ситуации, когда рычаг остановки двигателя не приводится в действие способом, описанным в предыдущем пункте, нажмите рукой на рычаг остановки двигателя вниз по стрелке «STOP» (см. рис. 8).
5. После остановки двигателя закройте топливный кран – поверните рукоятку топливного крана («FUEL COCK») в положение «OFF» («CLOSE») (см. рис. 6, 7).
6. Медленно потяните рукоятку ручного стартера (когда двигатель полностью остановлен!), пока не почувствуете сопротивление (это закрытое положение впускного и выпускного клапанов двигателя), отпустите рукоятку. Это предотвратит двигатель от коррозии во время хранения (только модель ERS 4.6d).



ВНИМАНИЕ!

При остановке двигателя уменьшайте обороты двигателя медленно. Запрещено останавливать двигатель рычагом декомпрессионного клапана (только модель ERS 4.6d), так как это неизбежно приведет к выходу из строя двигателя.

ОБКАТКА ДВИГАТЕЛЯ

Одним из самых главных моментов в процессе эксплуатации изделия является обкатка нового двигателя. Если правильно осуществить обкатку двигателя, срок его эксплуатации значительно увеличится.

Процедура обкатки двигателя:

1. Запустите двигатель и дайте ему проработать на холостых оборотах на протяжении 10 минут. Остановите двигатель и дайте ему полностью остыть. Данную процедуру повторите 5 раз.
2. Запустите двигатель и дайте ему проработать на холостых оборотах на протяжении 60 минут. Остановите двигатель и дайте ему полностью остыть.
3. Первые 25 часов работы изделия нагрузка не должна превышать 50% от номинального показателя. Работа электростанции должна осуществляться этапами. Каждый этап работы не должен превышать 3 часов.
4. После наработки изделием 25 часов замените масло, предварительно осуществив дополнительную промывку двигателя: залейте 1,65 л масла и дайте поработать двигателю на протяжении 10 минут. Слейте промывочное масло, промойте масляный фильтр и залейте новое масло. Используйте для промывки масло, исходя из температуры окружающего воздуха.

ПЕРЕД ПОДСОЕДИНЕНИЕМ ПОТРЕБИТЕЛЕЙ ЭЛЕКТРОЭНЕРГИИ

- убедитесь, что подключаемые к электростанции электроприборы исправны и не имеют дефектов. Иначе может возникнуть поражение электрическим током или пожар;
- удостоверьтесь, что суммарная электрическая мощность всех подключаемых электроприборов не превышает номинальной мощности электростанции;

**ВНИМАНИЕ!**

Запрещается подключать к изделию электрические потребители мощностью, превышающей максимальную мощность электростанции.

- продолжительность работы электростанции в пределах между номинальной и максимальной мощностью не должна превышать 5 минут. В противном случае, это может привести к выходу изделия из строя;

- если используется электрический удлинитель, убедитесь, что он полностью размотан, а сечение кабеля соответствует подключаемой нагрузке. Если удлинитель некачественный или его кабель имеет недостаточное сечение провода, это может привести к перепадам напряжения, перегреву кабеля и нестабильной работе подключаемых потребителей;
- не допускайте перегрузки электрических розеток электростанции. Каждая розетка имеет номинальную мощность, на которую она рассчитана. Старайтесь распределять нагрузку между розетками электростанции равномерно. Максимальная токовая нагрузка на одну электрическую розетку электростанции не должна превышать 16А.

РАСЧЕТ НАГРУЗКИ И ПОДКЛЮЧЕНИЕ

К моделям электростанций ERS 4.6d и ERS 4.6dt можно подключать только однофазные потребители электроэнергии с рабочим напряжением $230\text{ В} \pm 20\%$ и частотой тока 50 Гц.

Правила расчета нагрузки

1. Пусковая мощность подключаемого к электростанции прибора с наибольшим пусковым током не должна превышать максимальную мощность генератора изделия.
2. Полная потребляемая мощность всех приборов (с реактивной и активной нагрузками) не должна превышать номинальной мощности электростанции.
3. Для расчета правильной нагрузки необходимо учитывать коэффициент мощности электростанции.
4. Для правильной и безопасной работы электростанции следует создать запас мощности в 20%.
5. Мощность подключаемого потребителя не должна превышать максимальную мощность розетки электростанции.

**ПРИМЕЧАНИЕ!**

Многие электроприборы имеют так называемые пусковые токи, которые кратковременно увеличивают потребляемую мощность электрических приборов в несколько раз. Исходя из этого, для обеспечения электропитанием потребителя следует подать на него мощность необходимую для запуска. Пусковая мощность таких приборов не должна превышать максимальной мощности электростанции. Потребитель, имеющий наибольшую пусковую мощность, к электростанции следует подключать первым.

Потребители электроэнергии по видам нагрузки подразделяются на активные и реактивные.

Активные – самые простые нагрузки. У потребителей с такими нагрузками вся электрическая энергия преобразуется в тепло. Примеры: лампы накаливания, утюги, обогреватели, электроплиты, фены и т.д. Для расчета суммарной мощности таких потребителей достаточно сложить мощности этих устройств (мощность указывается на самом устройстве).

Реактивные нагрузки имеют потребители, снабженные электродвигателем, где энергия дополнительно расходуется на создание электромагнитного поля. К таким потребителям относятся насосы, станки, электроинструмент, холодильники, стиральные машины и т.д. Мерой реактивности является коэффициент мощности ($\cos \phi$). Чтобы подсчитать реальное потребление электроэнергии реактивных потребителей необходимо мощность разделить на $\cos \phi$. Например: если для электрической дрели мощностью 600 Вт значение $\cos \phi$ составляет 0,8, то для ее работы потребуется мощность $600 \text{ Вт} / 0,8 = 750 \text{ Вт}$. Это необходимо учитывать при вычислении суммарной мощности потребителей, подключаемых к электростанции. Значение $\cos \phi$ таких электроприборов указано на шильдике, этикетке или в руководстве пользователя соответствующего прибора.

Надо также учитывать, что каждая электростанция имеет собственный $\cos \phi$. Например, если данный показатель равен 0,8, то для работы вышеупомянутой дрели от электростанции потребуется: $750 \text{ Вт} / 0,8 = 938 \text{ Вт}$.

**ПРИМЕЧАНИЕ!**

Модели электростанций ERS 4.6d и ERS 4.6dt имеют коэффициент мощности ($\cos \phi$), равный 1.

Во избежание перегрузок электростанции следует рассчитывать суммарную мощность подключаемых приборов не более 80% от номинальной мощности электростанции.

Подсоединять к электростанции потребители следует только при запущенном двигателе, автоматический предохранитель переменного тока при этом должен быть отключен. Подсоедините потребители, включите предохранитель переменного тока, и только после этого включите потребители. Включение нескольких электроприборов следует производить последовательно и начинать с прибора, потребляющего наибольшую мощность.

**ВНИМАНИЕ!**

Двигатель автоматически будет увеличивать обороты при увеличении нагрузки генератора электрического тока.

ИСПОЛЬЗОВАНИЕ ВЫХОДА ПОСТОЯННОГО ТОКА

Электростанции ERS 4.6d и ERS 4.6dt снабжены выходом постоянного тока. Максимальная мощность постоянного тока составляет 12 В-8,3 А. Данный выход предназначен для зарядки аккумуляторных батарей, а также для подключения потребителей постоянного тока.

**ВНИМАНИЕ!**

При возникновении короткого замыкания между клеммами, отключается автоматический предохранитель постоянного тока.

Порядок подключения потребителей к выходу постоянного тока

1. Отключите предохранитель переменного тока.
2. Запустите двигатель.

3. Подсоедините к клеммам постоянного тока двухжильные силовые кабели соответствующей длины и сечением не менее 6 мм² каждой жилы. Надежно затяните прижимные гайки клемм.
4. Соблюдая полярность, подсоедините к силовым кабелям аккумуляторную батарею или потребитель постоянного тока.

**ВНИМАНИЕ!**

Во время зарядки аккумуляторная батарея вырабатывает ядовитые горючие газы. Зарядку аккумулятора осуществляйте только на открытом воздухе или в хорошо вентилируемом помещении. Избегайте возникновения пламени и искр при зарядке аккумулятора.

6

ТЕХНИЧЕСКОЕ ОБСЛУЖИВАНИЕ**ОСТОРОЖНО!**

Перед началом работ по техническому обслуживанию электростанции остановите двигатель и отсоедините все силовые кабели.

Электростанции ERS 4.6d и ERS 4.6dt снабжены современными надежными и экономичными дизельными двигателями, которые разработаны с учетом долгосрочной и бесперебойной работы. Тем не менее, очень важно регулярно проводить несложные работы по техническому обслуживанию, описанные в данном разделе руководства.

Надежность и долговечность работы изделия во многом зависят от правильности и своевременности проведения технического обслуживания.

**ПРИМЕЧАНИЕ!**

Техническое обслуживание изделия рекомендуется проводить опытному специалисту. В случае возникновения трудностей при проведении технического обслуживания изделия, следует обратиться за помощью в сервисный центр.

Каждый раз перед началом работы изделия:

- выполните внешний осмотр электростанции на предмет обнаружения неисправностей и повреждений, потеков топлива и масла, при обнаружении – устраните причины неисправностей;
- убедитесь в надежности крепления двигателя и генератора на раме, при необходимости – подтяните крепления. Проверьте состояние демпферных опор;
- проверьте состояние силовых кабелей, если имеются повреждения - замените;
- проверьте уровень масла в картере двигателя, долейте при необходимости;
- проверьте уровень топлива в топливном баке, долейте при необходимости;
- проверьте состояние глушителя;
- проверьте систему охлаждения двигателя;
- проверьте состояние аккумуляторной батареи;
- проверьте чистоту воздушного фильтра.

Периодические проверки и операции по техническому обслуживанию электростанции

ТИП ОБСЛУЖИВАНИЯ / РЕКОМЕНДУЕМЫЕ СРОКИ		Ежедневно	Первые 25 часов работы или месяц	Каждые 50 часов работы или 3 месяца	Каждые 100 часов работы или 6 месяцев	Каждые 300 часов работы или 1 год
Электростанция в целом	очистка	•				
Соединения и крепеж	подтяжка	•				
Моторное масло	проверка уровня	•				
	замена		•		•	
Воздушный фильтр	проверка	•				
	промывка			•*		
	замена					•*
Топливный фильтр	промывка			•*		
	замена					•*
Масляный фильтр	промывка			•*		
	замена		•		•	
Система охлаждения	проверка	•				
Топливный бак	промывка				•*	
	слив остатков топлива (дренаж)			•		
	чистка				•*	
Глушитель	проверка	•				•*
Форсунка (качество впрыска топлива)	проверка				•**	
Топливный насос высокого давления	проверка					•**
Зазоры впускного и выпускного клапанов	чистка и регулировка				•**	
Топливопровод	проверка				•*	

* — рекомендуется более частое обслуживание при использовании электростанции в пыльной местности

** — данный тип работ должен проводиться в сервисном центре



ПРИМЕЧАНИЕ!

Проводя техническое обслуживание строго по регламенту, Вы увеличиваете срок службы изделия в несколько раз.

ОЧИСТКА

Очистку наружной поверхности электростанции следует проводить после каждого использования и перед заправкой моторного масла и топлива. Не допускается использование электростанции с потеками масла и топлива. Следует помнить, что попадание пыли в масло двигателя или в топливо значительно сокращает срок службы двигателя. Не допускайте запыления генератора электрического тока – опасность выхода из строя.

СОЕДИНЕНИЯ И КРЕПЕЖ

Электростанция снабжена дизельным двигателем внутреннего сгорания, который создает вибрацию во время запуска и работы. Вибрация от двигателя передается на соединения и крепежи изделия. Регулярно проверяйте затяжку всех болтов и гаек и не эксплуатируйте электростанцию, если отсутствует, хотя бы один болт или гайка. Помимо этого, следите за состоянием демпферных опор. Вышедшие из строя опоры будут служить причиной повышенной вибрации изделия.



ВНИМАНИЕ!

Проверяйте демпферные опоры на износ или повреждение. Поврежденные опоры следует немедленно заменить.

МОТОРНОЕ МАСЛО

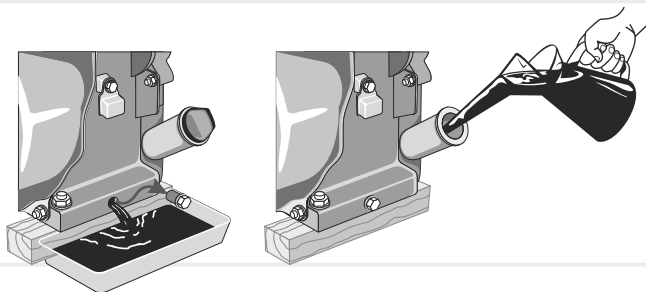


ВНИМАНИЕ!

Моторное масло следует заменить после первых 25 часов работы нового двигателя. Не следует превышать срок эксплуатации масла. Меняйте масло строго по регламенту.

Заливная горловина и сливное отверстие двигателя

рисунок 11



ПРИМЕЧАНИЕ!

Масло необходимо сливать горячим, тогда масло стекает полностью и смывает отложения и вредные примеси сгорания топлива.

МАСЛЯНЫЙ ФИЛЬТР

Электростанции ERS 4.6d и ERS 4.6dt снабжены масляным фильтром, который позволяет осуществлять очистку масла. Промывка и замена масляного фильтра должны осуществляться строго в сроки, указанные в таблице.



ПРИМЕЧАНИЕ!

Вначале слейте отработанное масло, промойте картер двигателя промывочным маслом, промойте или замените масляный фильтр, а затем залейте новое моторное масло.

ВОЗДУШНЫЙ ФИЛЬТР

Засоренный воздушный фильтр может стать причиной невозможности запуска двигателя, потери его мощности, неисправной работы и при этом крайне сократить срок службы двигателя.



ВНИМАНИЕ!

Запрещено эксплуатировать изделие без установленного фильтра, с поврежденным фильтрующим элементом или с незакрепленной крышкой фильтра!

Воздушный фильтр следует менять своевременно. Частицы грязи и пыли, проникающие сквозь воздушный фильтр, способствуют преждевременному износу и выходу из строя поршневой группы двигателя.

Промывка и замена воздушного фильтра

1. Открутите гайку-барашек и снимите крышку воздушного фильтра.
2. Извлеките фильтрующий элемент, промойте его или замените.
3. Очистите корпус воздушного фильтра от пыли и грязи.
4. Соберите воздушный фильтр, надежно затяните гайку-барашек.



ВНИМАНИЕ!

Не мойте фильтрующий элемент воздушного фильтра растворителями или моющими средствами. Используйте мыльную воду и мягкую щеточку.

ТОПЛИВНЫЙ ФИЛЬТР

Топливный фильтр предназначен для очистки топлива, тем самым увеличивая срок службы топливной системы и топливного насоса. Строго регламентируется его замена по времени или по мере видимого загрязнения. Фильтр находится в прозрачной колбе, что позволяет легко определить степень его загрязнения. При сильном загрязнении фильтра лучше будет промыть топливный бак и топливную систему.

ТОПЛИВНЫЙ НАСОС, ФОРСУНКА И КЛАПАНЫ

Чистку и проверку топливного насоса, форсунки, а также проверку зазоров клапанов должен проводить квалифицированный специалист. Обратитесь в сервисный центр.

СИСТЕМА ОХЛАЖДЕНИЯ

Обе модели электростанций снабжены принудительной системой воздушного охлаждения. Регулярно проверяйте целостность крыльчатки вентилятора охлаждения двигателя (находится за ручным стартером в модели ERS 4.6d, в модели ERS 4.6dt - с торца двигателя на месте ручного стартера). Повреждение даже одной лопасти крыльчатки вентилятора может привести к перегреву двигателя. Поврежденную крыльчатку вентилятора замените немедленно.



ВНИМАНИЕ!

Запрещена работа двигателя с поломанной крыльчаткой вентилятора воздушного охлаждения. Поломанная крыльчатка может привести к перегреву двигателя и к преждевременному выходу его из строя.

ТОПЛИВНЫЙ БАК

Рекомендуется производить чистку топливного бака и топливного фильтра каждые 100 часов работы или каждые 6 месяцев. При необходимости данную процедуру выполняйте чаще. Эти меры позволят увеличить срок службы топливной системы двигателя.

Чистку топливного бака и топливного фильтра следует производить топливом.

ТОПЛИВОПРОВОД

Топливопровод выполнен из резинотехнических изделий, которые подвержены влиянию окружающей среды и механических воздействий. Это не означает, что топливопровод выполнен из материала плохого качества. У каждого материала есть свой срок эксплуатации и ему присущи свойства старения. Топливопровод является важным элементом двигателя, ему следует уделять повышенное внимание. Для предотвращения возможных утечек топлива следует производить своевременную проверку состояния топливопровода и, если необходимо, его своевременную замену.



ПРИМЕЧАНИЕ!

В случае возникновения трудностей при проведении технического обслуживания изделия, следует обратиться за помощью в сервисный центр.

ГЛУШИТЕЛЬ

Перед каждым использованием изделия проверяйте состояние глушителя и надежность его крепления:

- на месте соединения глушителя с выпускным коллектором двигателя не должно быть следов копоти, указывающих на пропуск отработавших двигателем газов;
- в стенках корпуса глушителя не должно быть прогаров;
- выхлопная труба глушителя не должна быть закрыта посторонними предметами, препятствующими выход отработавших газов.

При обнаружении каких-либо неисправностей в глушителе, обратитесь в сервисный центр.

ТРАНСПОРТИРОВКА И ХРАНЕНИЕ

ОСТОРОЖНО!

Электростанция очень тяжелая. При транспортировке четко следуйте инструкциям.

ВНИМАНИЕ!

Не дотрагивайтесь до двигателя и системы выхлопа во время работы двигателя: они горячие и могут стать причиной пожара или ожога. Перед транспортировкой электростанции дайте двигателю полностью остыть.

ВНИМАНИЕ!

Не перемещайте электростанцию с работающим двигателем и подключенными потребителями электроэнергии.

ТРАНСПОРТИРОВКА

При транспортировке электростанции во избежание утечки топлива закройте топливный кран.

Транспортировка электростанции допускается только при горизонтальном ее расположении. В противном случае может произойти утечка масла и топлива.

Не транспортируйте изделие на большие расстояния при наличии топлива в топливном баке – опасность утечки. Погрузку-разгрузку электростанции производите за специально разработанный узел для подъема изделия или защитную раму.

ПРИМЕЧАНИЕ!

Для удобства транспортировки электростанции модели ERS 4.6d предусмотрены транспортировочные колеса, а для модели ERS 4.6dt транспортировочные колеса и транспортировочная рукоятка.

Перед транспортировкой установите на изделие транспортировочные колеса.

Позаботьтесь о том, чтобы не повредить электростанцию при транспортировке. Не помещайте на изделие тяжелые предметы.

ХРАНЕНИЕ

Если изделие не используется продолжительное время (более 2 месяцев), его необходимо хранить в сухом проветриваемом помещении при температуре от -15 °С до +55 °С и относительной влажности не более 90%, укрыв от попадания на изделие пыли и мелкого мусора. Наличие в воздухе паров кислот, щелочей и других агрессивных примесей не допускается.

При подготовке к длительному хранению:

1. Запустите двигатель и прогрейте его в течение 2-5 минут.
2. Слейте масло из картера двигателя. Промойте картер, масляный фильтр и залейте в картер новое масло.
3. Слейте топливо из топливного бака и топливной системы. Помните, что топливо чрезвычайно огнеопасно и при определенных условиях является взрывчатым веществом.
4. Залейте в отверстие на клапанной крышке 2-3 см³ масла и плотно закройте его пробкой.
5. Поверните рычаг декомпрессионного клапана в нижнее положение, соответствующее отсутствию декомпрессии.
6. Два-три раза потяните за ручку ручного стартера.
7. Медленно потяните ручку стартера, пока не почувствуете сопротивление. В этом месте поршень находится в верхней точке (стадия сжатия), впускной и выпускной клапаны закрыты. Хранение двигателя в этом положении поможет защитить его рабочую камеру от внутренней коррозии.
8. Очистите изделие от грязи и пыли. Тонким слоем нанесите смазку на места, подверженные коррозии.
9. Установите электростанцию на ровной поверхности и накройте ее чистым сухим материалом.

После снятия изделия с долгосрочного хранения:

1. Отсоедините топливный кран и тщательно промойте.
2. Установите на место топливный кран.
3. Закройте топливный кран, залейте 1-1,5 литра дизельного топлива в бак и, покачивая электростанцию в разные стороны, промойте бак. Слейте топливо.
4. Проверьте уровень масла в картере двигателя.

ВНИМАНИЕ!

Хранить изделие в одном помещении с горючими веществами, кислотами, щелочами, минеральными удобрениями и другими агрессивными веществами запрещается.



ВОЗМОЖНЫЕ НЕИСПРАВНОСТИ И ПУТИ ИХ УСТРАНЕНИЯ

РУССКИЙ

ОПИСАНИЕ НЕИСПРАВНОСТИ	Возможная причина	Пути устранения
Двигатель не запускается	Выключен двигатель	Переведите ключ зажигания в положение "ON"
	Не пропитан топливом топливный фильтр	После установки нового топливного фильтра и заправки топливного бака подождите 10 минут, пока фильтр не пропитается топливом
	В топливную систему поступает воздух	Обратитесь в сервисный центр
	Неисправен топливный насос высокого давления	Обратитесь в сервисный центр
	Недостаточно топлива в баке	Залейте в топливный бак качественное (отстоянное) дизельное топливо
	Закрыт топливный кран	Откройте кран
	Залито некачественное или несоответствующее топливо	Слейте и залейте качественное (отстоянное) дизельное топливо
	Холодная погода. 1. Масло становится более вязким 2. Топливо становится густым, теряет текучесть	1. Слейте масло из картера, подогрейте его и залейте теплое масло в патрубок отверстия для залива масла 2. Используйте зимнее топливо
	Неисправность топливной системы. В топливо попала вода	Прочистите фильтр топливного бака и топливопровод, замените топливо
	Прерывистая подача топлива	Недостаточно топлива в баке, топливо засорено – долейте или замените топливо
	Неполное сгорание топлива	Обратитесь в сервисный центр
Рычаг регулировки подачи топлива установлен в положение «STOP»	Установите рычаг регулировки подачи топлива в положение «RUN»	

ОПИСАНИЕ НЕИСПРАВНОСТИ	Возможная причина	Пути устранения
Двигатель не запускается	Низкий уровень масла в картере двигателя	Залейте масла в картер
	Засорен воздушный фильтр	Очистите или замените
	Воздушный фильтр влажный	Высушите или замените
	Засорен топливный фильтр	Очистите или замените
	Засорен топливопровод	Промойте топливопровод или обратитесь в сервисный центр
	Засорена форсунка	Обратитесь в сервисный центр
	Двигатель заводится при подключенных потребителях	Отключите все потребители электроэнергии
	Низкая мощность аккумуляторной батареи	Подзарядите или замените батарею
	Неисправна система защиты от низкого уровня масла в картере двигателя	Обратитесь в сервисный центр
	Стартер вышел из строя	Обратитесь в сервисный центр
	Недостаточная мощность двигателя	Частично засорены топливопровод и топливные фильтры
Засорен воздушный фильтр		Промойте или замените фильтрующие элементы
В топливную систему поступает воздух		Обратитесь в сервисный центр
Недостаточные обороты двигателя		Обратитесь в сервисный центр
Неисправна форсунка		Обратитесь в сервисный центр
Неисправен топливный насос высокого давления		Обратитесь в сервисный центр

РУССКИЙ

ОПИСАНИЕ НЕИСПРАВНОСТИ	Возможная причина	Пути устранения
Недостаточная мощность двигателя	Изношены поршневые кольца и цилиндр	Обратитесь в сервисный центр
	Недостаточно хорошая подача топлива	Проведите техобслуживание или обратитесь в сервисный центр
Двигатель останавливается	Засорен воздушный фильтр	Очистите или замените
	Засорен топливный фильтр	Очистите или замените
	В топливную систему поступает воздух	Устраните подсос воздуха и прокачайте топливную систему
	Засорен топливопровод	Промойте топливопровод или обратитесь в сервисный центр
	Неисправна форсунка	Обратитесь в сервисный центр
	Неисправен топливный насос высокого давления	Обратитесь в сервисный центр
	Неисправна система защиты от низкого уровня масла в картере двигателя	Обратитесь в сервисный центр
Двигатель перегревается	Неисправна система охлаждения двигателя	Обратитесь в сервисный центр
	Мощность нагрузки на генератор превышает мощность генератора	Снизьте нагрузку на генератор
Неустойчивая работа двигателя	В топливную систему поступает воздух	Устраните подсос воздуха и прокачайте топливную систему
	Неисправен топливный насос высокого давления	Обратитесь в сервисный центр
	Неисправность в регуляторе оборотов двигателя	Обратитесь в сервисный центр
В картере увеличивается уровень масла	Изношена плунжерная пара насоса или поршневые кольца	Обратитесь в сервисный центр

ОПИСАНИЕ НЕИСПРАВНОСТИ	Возможная причина	Пути устранения
Повышенный расход масла	Повышенный износ поршневых колец	Обратитесь в сервисный центр
	Изношен цилиндр	Обратитесь в сервисный центр
Стук в картере двигателя	Износ коренных подшипников или шатунных вкладышей	Обратитесь в сервисный центр
Стук в головке цилиндра	Увеличен зазор между поршневым пальцем и шатуном	Обратитесь в сервисный центр
	Увеличен зазор между клапанами	Обратитесь в сервисный центр
Двигатель дымит, выхлопные газы голубого или сизого цвета	Повышенный износ поршневых колец	Обратитесь в сервисный центр
	Повышенный уровень масла в картере двигателя	Слейте лишнее масло из картера двигателя
	Повышенный износ в сопряжении цилиндр-поршень	Обратитесь в сервисный центр
Двигатель дымит, выхлопные газы черного цвета	Неисправна форсунка	Обратитесь в сервисный центр
	Двигатель перегружен	Снизьте нагрузку, уменьшив отбор электрической мощности от генератора
	Чрезмерно большая подача топлива	Обратитесь в сервисный центр
Не вырабатывается электричество	Выключен предохранитель переменного тока	Включите
	Штепсельная розетка вышла из строя	Обратитесь в сервисный центр
	Генератор не возбуждается	Обратитесь в сервисный центр
	Мощность потребителя превышает мощность генератора	Снизьте нагрузку на генератор
	Выработаны щетки генератора	Замените (обратитесь в сервисный центр)
	Статор или ротор генератора вышли из строя	Обратитесь в сервисный центр

ОПИСАНИЕ НЕИСПРАВНОСТИ	Возможная причина	Пути устранения
Некорректная работа, нет контроля над изделием	Высокая вибрация на электростанции (изношены демпферные опоры)	Обратитесь в сервисный центр
	Электростанция работает рывками (перегрузка)	Снизьте нагрузку, отключите потребители тока, превышающие мощность генератора
	Вышел из строя генератор	Обратитесь в сервисный центр

ГАРАНТИЙНЫЕ ОБЯЗАТЕЛЬСТВА

Гарантийный срок эксплуатации электростанций “Vitals” ERS 4.6d и ERS 4.6dt составляет 1 (один) год с указанной в гарантийном талоне даты розничной продажи.

В течение гарантийного срока неисправные детали и узлы будут заменяться при условии соблюдения всех требований руководства и отсутствии повреждений, связанных с неправильной эксплуатацией, хранением и транспортировкой изделия. По вопросам гарантийного обслуживания обращайтесь в уполномоченный сервисный центр.

Потребитель имеет право на бесплатное гарантийное устранение неисправностей, выявленных и предъявленных в период гарантийного срока и обусловленных производственными и конструктивными факторами.

Гарантийное устранение неисправностей производится путем ремонта или замены неисправных частей изделия в сертифицированных сервисных центрах. В связи со сложностью конструкции ремонт может длиться более двух недель. Причину возникновения неисправностей и сроки их устранения определяют специалисты сервисного центра.



ПРИМЕЧАНИЕ!

Изделие принимается на гарантийное обслуживание только в полной комплектации, тщательно очищенное от грязи и пыли.

Гарантийные обязательства утрачивают свою силу в следующих случаях:

- Отсутствие или нечитаемость гарантийного талона.
- Неправильное заполнение гарантийного талона, отсутствие в нем даты продажи или печати (штампа) и подписи продавца, серийного номера изделия.
- Наличие исправлений или подчисток в гарантийном талоне.
- Полное или частичное отсутствие, нечитаемость серийного номера на изделие, несоответствие серийного номера изделия номеру, указанному в гарантийном талоне.
- Несоблюдение правил эксплуатации, приведенных в данном руководстве, в том числе нарушение регламента технического обслуживания.

- Эксплуатация неисправного или некомплектного изделия, ставшая причиной выхода его из строя.
- Попадание внутрь изделия посторонних веществ или предметов.
- Изделие имеет значительные механические или термические повреждения, явные следы небрежной эксплуатации, хранения или транспортировки.
- Изделие использовалось не по назначению.
- Производились несанкционированный ремонт, вскрытие либо попытка модернизации изделия потребителем или третьими лицами.
- Неисправность произошла в результате стихийного бедствия (пожар, наводнение, ураган и т. п.).

Замененные по гарантии детали и узлы переходят в распоряжение сервисного центра.

При выполнении гарантийного ремонта гарантийный срок увеличивается на время пребывания изделия в ремонте. Отсчет добавленного срока начинается с даты приемки изделия в гарантийный ремонт.

В случае если по техническим причинам ремонт изделия невозможен, сервисный центр выдает соответствующий акт, на основании которого пользователь самостоятельно решает вопрос с организацией-поставщиком о замене изделия или возврате денег.

После окончания гарантийного срока сервисные центры продолжают осуществлять обслуживание и ремонт изделия, но уже за счет потребителя.

Гарантийные обязательства не распространяются на неисправности, возникшие вследствие естественного износа или перегрузки изделия.

Гарантийные обязательства не распространяются на комплектующие: транспортировочные колеса, ключи зажигания.

Гарантийные обязательства не распространяются на неполноту комплектации изделия, которая могла быть обнаружена при его продаже. Все расходы на транспортировку изделия несет потребитель.

Право на гарантийный ремонт не является основанием для других претензий.



ГАРАНТІЙНИЙ ТАЛОН

Купуючи виріб, вимагайте перевірки його справності, комплектності і відсутності механічних пошкоджень, наявності відмітки дати продажу, штампа магазину та підпису продавця. Після продажу претензії щодо некомплектності і механічних пошкоджень не приймаються.

Виріб	
Модель	
Серійний номер	
Торговельна організація	
Адреса торговельної організації	
Вироб перевірів і продав	
Дата продажу	
Печатка або штамп торговельної організації	

Претензій до зовнішнього вигляду, справності та комплектності виробу не маю. З правилами користування та гарантійними умовами ознайомлений.

(Підпис покупця)



Виріб		
Модель		
Серійний номер		
Вилучено (дата):	Торговельна організація	
	Дата продажу	
Видано (дата):		
Майстер (ПІП та підпис)	Печатка або штамп сервісного центру	Печатка або штамп торговельної організації



Виріб		
Модель		
Серійний номер		
Вилучено (дата):	Торговельна організація	
	Дата продажу	
Видано (дата):		
Майстер (ПІП та підпис)	Печатка або штамп сервісного центру	Печатка або штамп торговельної організації



Виріб		
Модель		
Серійний номер		
Вилучено (дата):	Торговельна організація	
	Дата продажу	
Видано (дата):		
Майстер (ПІП та підпис)	Печатка або штамп сервісного центру	Печатка або штамп торговельної організації

ВІДРИВНИЙ ТАЛОН

ВІДРИВНИЙ ТАЛОН

ВІДРИВНИЙ ТАЛОН

ФОРМУЛЯР ГАРАНТІЙНИХ РОБІТ

Вироб після гарантійного ремонту отримав у робочому стані, без дефектів. Претензій не маю.

Дата	П.І.П. покупця	Підпис покупця

Вироб після гарантійного ремонту отримав у робочому стані, без дефектів. Претензій не маю.

Дата	П.І.П. покупця	Підпис покупця

Вироб після гарантійного ремонту отримав у робочому стані, без дефектів. Претензій не маю.

Дата	П.І.П. покупця	Підпис покупця

№	Дата проведення ремонту		Опис ремонтних робіт та замієних деталей	Прізвище майстра та печатка сервісного центру
	Початок	Закінчення		

ОФИЦИАЛЬНЫЙ ДИЛЕР В УКРАИНЕ:

storgom.ua

ГРАФИК РАБОТЫ:

Пн. – Пт.: с 8:30 по 18:30

Сб.: с 09:00 по 16:00

Вс.: с 10:00 по 16:00

КОНТАКТЫ:

+38 (044) 360-46-77

+38 (066) 77-395-77

+38 (097) 77-236-77

+38 (093) 360-46-77

Детальное описание товара: <https://storgom.ua/product/dizelnyi-generator-vitals-ers-46dt.html>

Другие товары: <https://storgom.ua/dizelnye-generatory.html>